

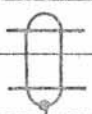
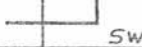
|      |         |            |
|------|---------|------------|
|      |         |            |
|      |         |            |
|      |         |            |
|      |         |            |
|      |         |            |
|      |         |            |
|      |         |            |
|      |         |            |
|      |         |            |
|      |         |            |
| A    | 13.8.72 | Re far     |
| Ausg | Datum   | Bearbeiter |



Rückwärtiger Einschub

E 915 000.00.0

Blatt 2

| Leitungsliste   |                 |         |   | Baugruppe:<br>rückw. Einschub | Stecker.<br>BU 29   |
|-----------------|-----------------|---------|---|-------------------------------|---|
| Anschl.<br>Pkt. | Signal-<br>Code | Leitung |   |                               | nach  |
|                 |                 | Typ     | Farbe   | Lg.                           |   |
| A               | 220 V           | } Coax  |  |                               | St40  |
| B               | 220 VSI         |         |   |                               | Si  |
| C               |                 |         |   |                               |   |
| D               | Geh-E.          |         |  |                               | Brücke über CDEF und vwxy von BU 29<br>sowie an Lötöse bei St40 |
| E               |                 |         |   |                               |   |
| F               |                 |         |   |                               |   |
| H               | KRZ             | AWG 24  | bn  |                               | Rü32/A6   |
| J               | HT              | "       | bl  |                               | Rü32/A2   |
| K               |                 |         |   |                               |   |
| L               | DR              | "       | ge  |                               | Rü32/A1   |
| M               |                 |         |   |                               |   |
| N               | HTZ             | "       | bl-ws   |                               | Rü32/A4   |
| P               | TAB             | "       | gn  |                               | RS/d3   |
| R               | DRZ             | "       | ge-ws   |                               | Rü32/A5   |
| S               | ÜHSL            | "       | vio   |                               | St41/3 - St42/3   |
| T               | THT             | "       | orn   |                               | RS/e3   |
| U               | 1oSL            | "       | ge-ws   |                               | St41/4 - St42/4   |
| V               | TDR             | "       | ws-sw   |                               | RS/f3   |
| W               |                 |         |   |                               |   |
| X               | HTSL            | "       | bl-rt   |                               | St41/1 - St42/1   |
| Y               | RAMPE           | "       | vio-ws  |                               | RS/g3 - RS/h3   |
| Z               | DRSL            | "       | ge-sw   |                               | St41/5 - St42/5   |
| a               |                 |         |   |                               |   |
| b               | E.-log          | "       | rt-sw   |                               | BU9   |
| c               |                 |         |   |                               |   |
| d               | +5 V            | "       | rt-ws   |                               | BU10  |
| e               |                 |         |   |                               |   |
| f               | E.-Rel          | "       | gn-sw   |                               | RS/g4 - RS/h4 + BU7   |

98 03 82



**DORNIER**  
electronic

BU 29

rückw. Einschub

b 12.3.73 Be 1A  
H. 15.8.74 Be 1A  
Ausg Datum Bearbeiter

ELE 915 000.00.0

Blatt 1

| Leitungsliste   |                 |         |       | Baugruppe:<br>rückw. Einschub | Stecker<br>BU 29                               |
|-----------------|-----------------|---------|-------|-------------------------------|--|
| Anschl.<br>Pkt. | Signal-<br>Code | Leitung |       |                               | nach   |
|                 |                 | Typ     | Farbe | Lg.                           |  |
| h               |                 |         |       |                               |  |
| j               | +12 V           | AWG 24  | gn    |                               | Rü32/A3 + BU8                                  |
| k               |                 |         |       |                               |  |
| m               | E.-Ver.         | "       | sw    |                               | St41/2 + BU5                                   |
| n               | +15 V           | "       | rt    |                               | BU6  |
| p               | -15 V           | "       | bl    |                               | BU4  |
| r               |                 |         |       |                               |  |
| s               | E.-Ref          | "       | ws    |                               | RS/f4 - RS/e4 - RS/d4 + BU2                    |
| t               | +10 V           | "       | orn   |                               | BU3  |
| u               | -10 V           | "       | ge    |                               | BU1  |
| v               |                 |         |       |                               |  |
| w               | E.-Geh          | "       | sw    |                               | Brücke über GDEF und vwxy von BU 29<br>s. CDEF |
| x               |                 |         |       |                               |  |
| y               |                 |         |       |                               |  |
| z               | AT1             | "       | gr    |                               | RS/e1 + St43/                                  |
| AA              | CT1             | "       | gr-ws |                               | RS/g1 + St43/                                  |
| BB              | AT2             | "       | bn-ws |                               | RS/e2 + St43/                                  |
| CC              | CT2             | "       | rt-bl |                               | RS/g2 + St43/                                  |
| DD              | BT1             | "       | or-ws |                               | RS/f1 + St43/                                  |
| EE              | DT1             | "       | rt-ws |                               | RS/h1 + St43/                                  |
| FF              | BT2             | "       | gn-ws |                               | RS/f2 + St43/                                  |
| HH              | DT2             | "       | ge-bl |                               | RS/h2 + St43/                                  |
|                 |                 |         |       |                               |  |
|                 |                 |         |       |                               |  |
|                 |                 |         |       |                               |  |
|                 |                 |         |       |                               |  |
|                 |                 |         |       |                               |  |
|                 |                 |         |       |                               |  |



BU 29 J

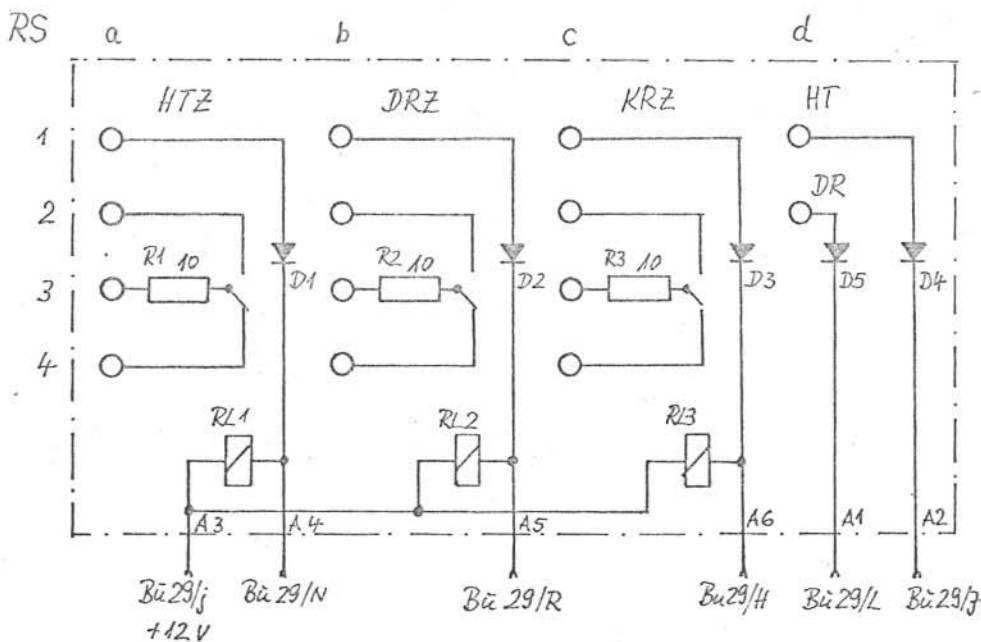
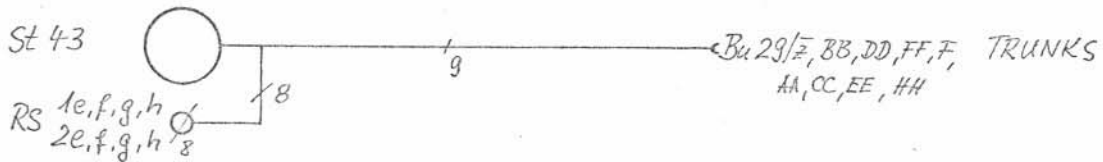
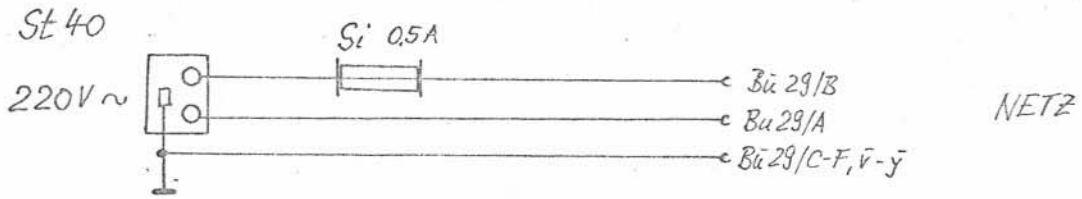
rückw. Einschub

EL E 915 000.00.0

Blatt 2

98 03 82

|      |         |            |
|------|---------|------------|
| 6    | 12.3.73 | Po. Kell   |
| A    | 15.8.72 | Be 90      |
| Ausg | Datum   | Bearbeiter |



RÜ 32 / A484A

|      |       |            |    |
|------|-------|------------|----|
|      |       |            |    |
|      |       |            |    |
|      |       |            |    |
|      |       |            |    |
|      |       |            |    |
| 2    | c     | 4.6.73     | Be |
|      | b     | 12.3.73    | Pa |
|      | A     | 22.9.77    | Be |
| Ausg | Datum | Bearbeiter |    |

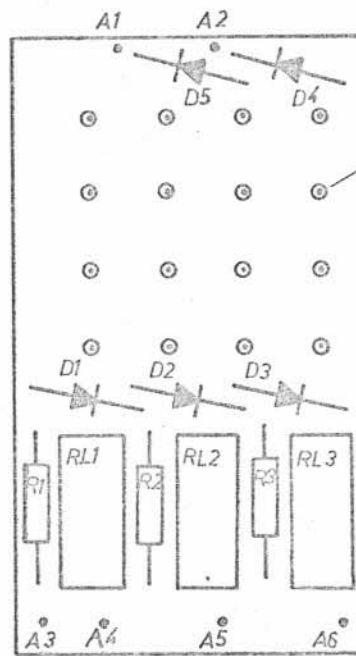


**DORNIER**  
electronic

Stromlaufplan  
Rückw. Einschub

SPE 915.000.00.0

Blatt



2,5 φ bohren  
(MC-Lötfahne)

|      |         |            |
|------|---------|------------|
|      |         |            |
|      |         |            |
|      |         |            |
|      |         |            |
|      |         |            |
| A    | 11.5.72 | Bc         |
|      | 15.3.72 | Bc         |
| Ausg | Datum   | Bearbeiter |



**DORNIER**  
electronic

Bestückungspl. RÜ 32

BP E 915 000.00.0

Blatt