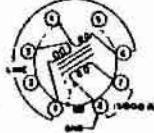


1500V LINE TRANSFORMER

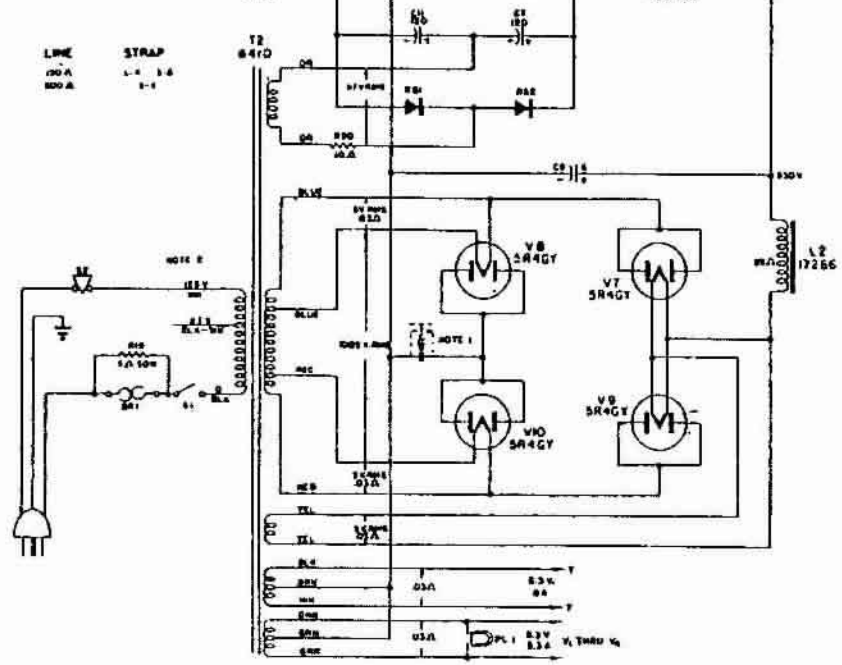


LINE STRAP  
100 A  
100 A

OUTPUT STRAP  
0-115V  
0-150V  
0-110V

- NOTES:
- 1. INSERT ACCESSORY RELAY CONTACTS IN POINT MARKED 1
  - 2. AS SHIPPED, PRIMARY CONNECTED TO LINE TAP

LEGEND:  
 R = 500Ω  
 R = 1000Ω  
 R = 100000Ω  
 ALL CAPACITANCE VALUES IN MFD.  
 UNLESS OTHERWISE INDICATED



NOTE 2

NOTE 1

0-115V	0.3A	0.3V
0-150V	0.4A	0.4V
0-110V	0.5A	0.5V
0-115V	0.5A	0.5V
0-150V	0.5A	0.5V
0-110V	0.5A	0.5V