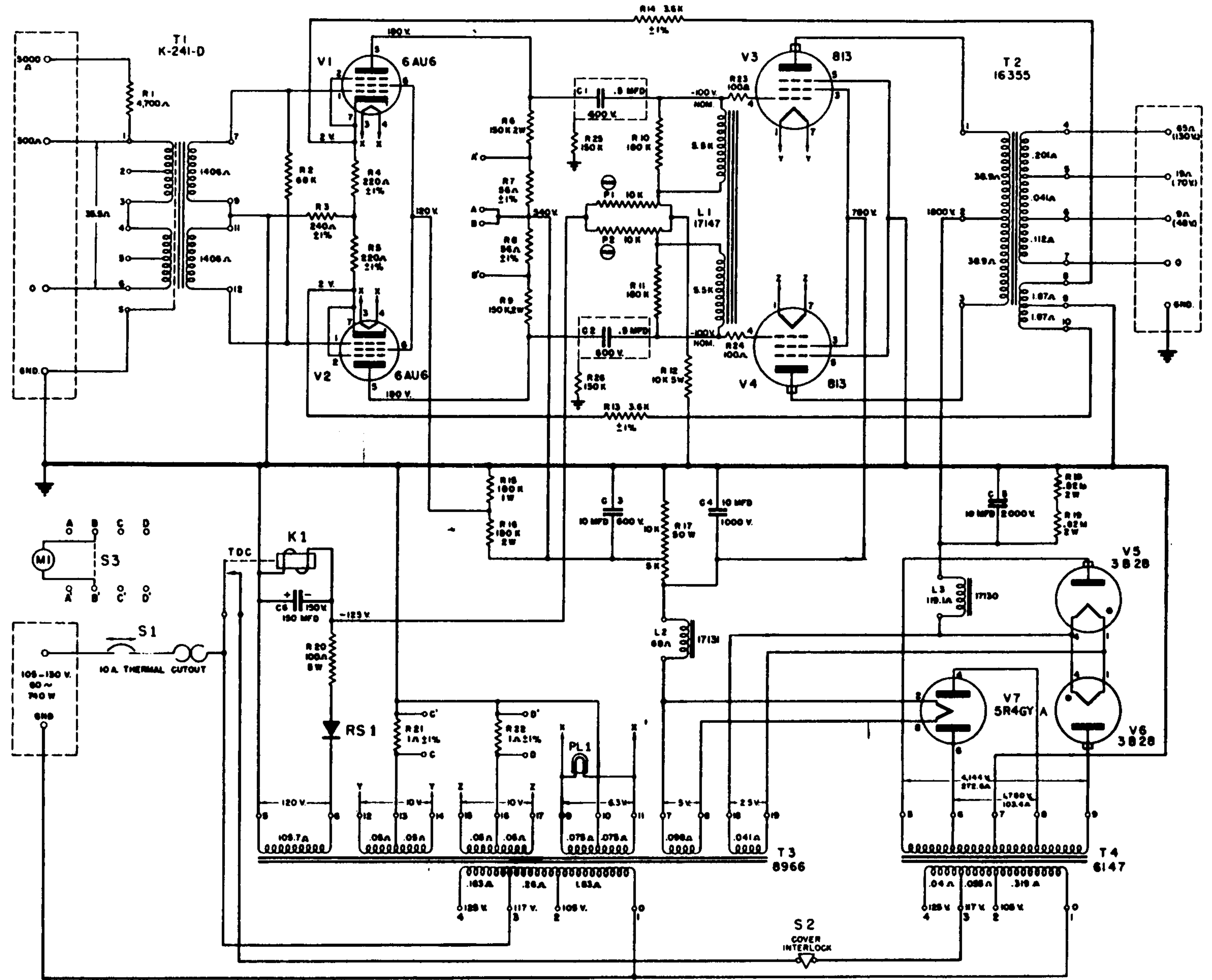


INPUT CONNECTIONS ARE STANDARD AS SHOWN AND SHOULD SATISFY MOST REQUIREMENTS. ADDITIONAL IMPEDANCES ARE AVAILABLE HOWEVER BY RECONNECTING T1 AS INDICATED BELOW.

T1 PRIMARY CONNECTIONS		
INPUT	CONNECT TO	STRAP
500/600	1-6	3-4
250/300	1-6	2-4 + 3-5
150	1-6	1-4 + 3-6
30/50	1-6	1-5 + 2-6



**LEGEND**  
 A = OHMS  
 K = 1,000A  
 M = 1,000,000A  
 ALL CAPACITANCE VALUES IN MFD.  
 UNLESS OTHERWISE INDICATED.

# ALTEC LANSING 260A AMPLIFIER

REV	DATE	CHANGED	BY
1	12-21-55		
2	9-28-56	ADDED R23 AND R24	
3	1-30-56	R18 W/ R15 R16 W/ R13 R14	
4	9-28-56	ADDED T3 TERM. NO. 740 W/ R60	

ALTEC LANSING CORPORATION  
 SCHEMATIC  
 260A AMPLIFIER