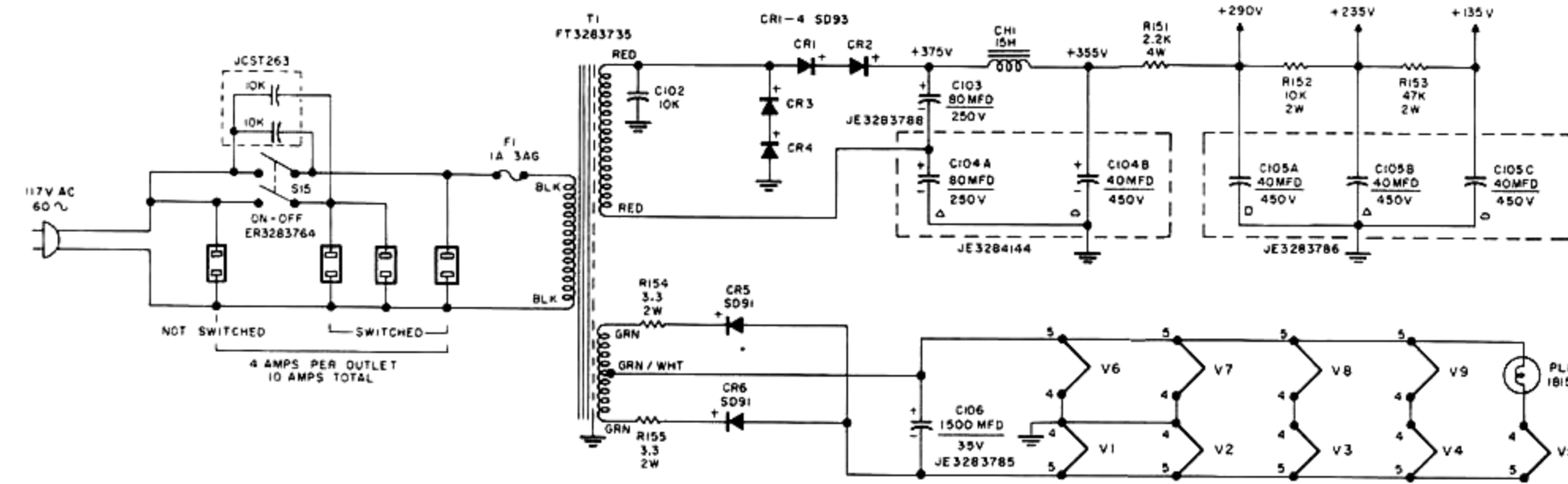


- S1 ER3284122
FUNCTION
1-AUX
2-TAPE AMPL
3-TUNER
4-PHONO 1
5-PHONO 2
6-TAPE HEAD
- S2 ER3284119
MODE
1-STEREO
2-BLEND
3-AB B
4-MON A
5-MON B
- S8 ER3284117
TURNOVER
1-TAPE
2-800
3-RIAA
4-LP
5-AES
6-78
- S9 ER3284118
ROLLOFF
1-FLAT
2-SUBSONIC
3-RUMBLE
- S10 ER3283938
LOW-CUT
1-FLAT
2-SUBSONIC
3-RUMBLE

- J1 TAPE HD
J2 PHONO 1 MAG
J3 MAG
J4 PHONO 2
J5 CER-KTL
J6 PHONO 2
J7 PHONO 1 MAG
J8 TAPE HD



VOLTAGE CHART

Line voltage - 117 V. (Readings taken with Triplet 630 meter, 20,000 ohms/volt.) All controls in "flat" position, Function switch in "AUX.", Mode in "STEREO", Loudness at minimum, Balance at mid-position, Equalization in RIAA, Blend at minimum. Readings may vary ±20%.

	1	2	3	4	5	6	7	8	9
V1	75V	0	.5	0	-11.5	100	0	.4	NC
V2	125	0	.8	0	-11.5	165	0	.7	NC
V3	115	0	1	0	-11.5	130	0	1.7	NC
V4	120	0	1.1	0	-11.5	120	0	1.1	NC
V5	100	0	1.2	0	-11.5	110	0	1.2	NC
V6	75	0	.5	0	+11	100	0	.4	NC
V7	125	0	.8	0	+11	165	0	.7	NC
V8	115	0	1	0	+11	130	0	1.7	NC
V9	120	0	1.1	0	+11	120	0	1.1	NC

* This reading is dependent upon the filament resistance of the tube and may vary ±1 volt.
NC - means "no connection."

RESISTANCE CHART

Set turned off, all power supply capacitors completely discharged. All controls in "flat" position, Function switch in "AUX.", Mode in "STEREO", Loudness at minimum, Balance at mid-position, Equalization in RIAA, Blend at minimum. Readings may vary ±20%.

	1	2	3	4	5	6	7	8	9
V1	*260K	480K	1.62K	0	4.2†	*100K	560K	560K	NC
V2	*220K	1120K	1.62K	0	4.2†	*55K	560K	560K	NC
V3	*70K	1120K	430†	8.5‡	4.2†	*100K	5.5M	1K	NC
V4	*70K	1200K	430†	8.5‡	4.2†	*70K	750K	430†	NC
V5	*70K	147K	430†	8.5‡	4.2†	*70K	450K	430†	NC
V6	*260K	480K	1.62K	0	4.2†	*100K	560K	560†	NC
V7	*220K	1120K	1.62K	0	4.2†	*55K	560K	560†	NC
V8	*70K	1120K	430†	8.5‡	4.2†	*100K	5.5M	1K	NC
V9	*70K	1200K	430†	8.5‡	4.2†	*70K	750K	430†	NC

*These readings are measured from the cathode of the selenium rectifier CR2 (-375 volt point). All other readings to ground.
NC - means "no connection."
† Turnover switch must be in RIAA position.
‡ Loudness control must be in minimum position.
§ Bass and Treble switches must be in "flat" position.
¶ Blend control in minimum position.