

AMTRON UK262

RHYTHM	INSTRUMENTS	BASE BEATS											
		1	2	3	4	5	6	7	8	9	10	11	12
SLOW ROCK	PIATTI												
	BASS DRUM												
	TENOR DRUM												
LATIN	PIATTI												
	BASS DRUM												
	BELLS												
TWIST	PIATTI												
	BASS DRUM												
	TENOR DRUM												
FOX	BASS DRUM												
	SNARE DRUM												
WALTZ	BASS DRUM												
	SNARE DRUM												

Fig. 2

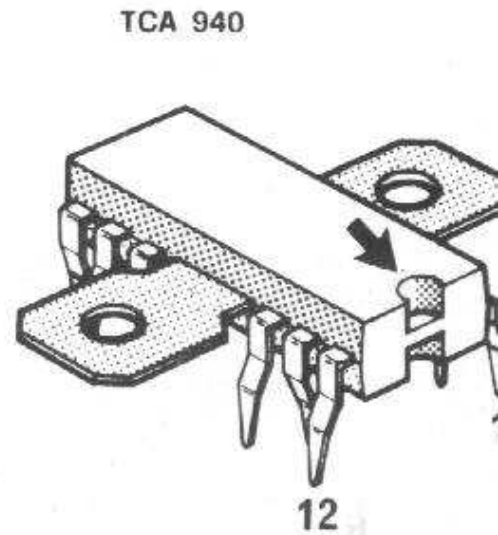
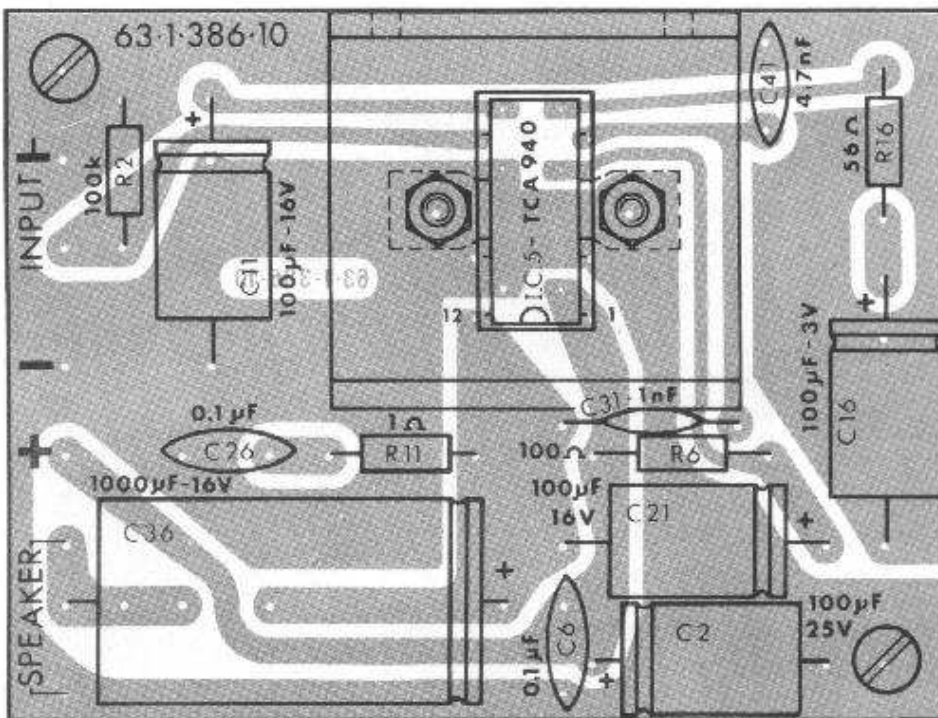
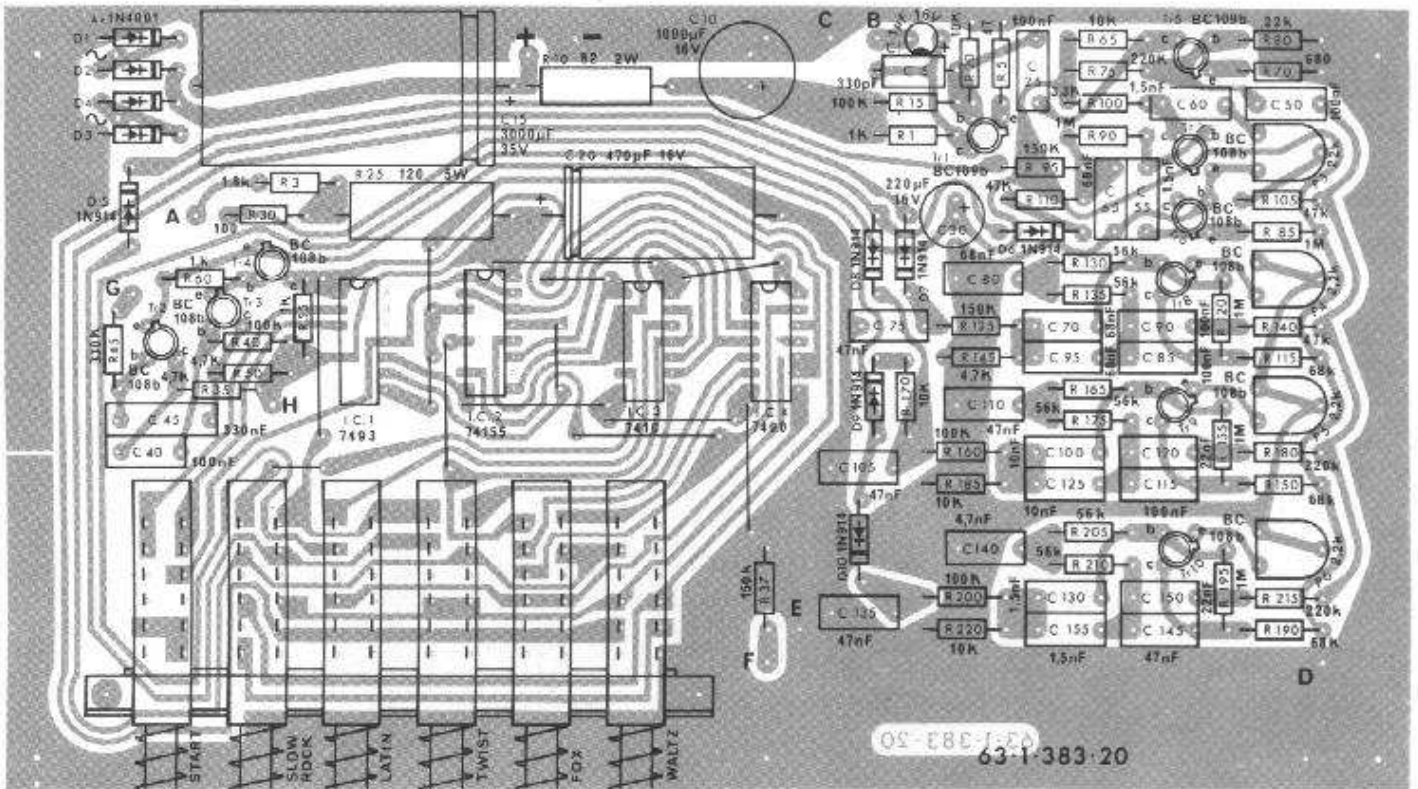


Fig. 4