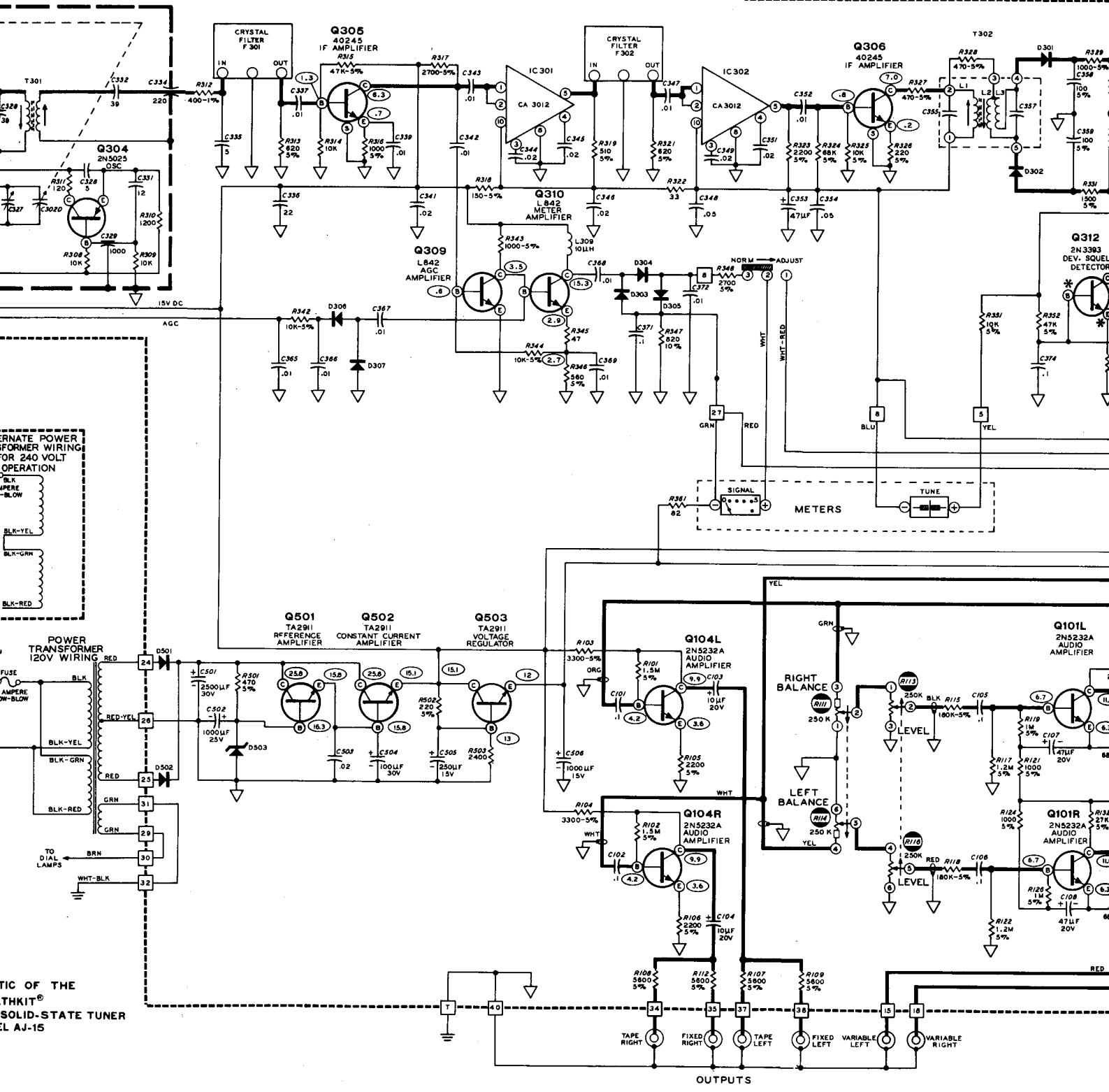


FM CIRCUIT BOARD



SEPARATE POWER TRANSFORMER WIRING FOR 240 VOLT OPERATION

BLK-AMPERE
-BLW

BLK-YEL

BLK-GRN

BLK-RED

POWER TRANSFORMER 120V WIRING

FUSE

AMPERE

-BLW

RED-YEL

RED

BLK-YEL

RED

BLK-GRN

GRN

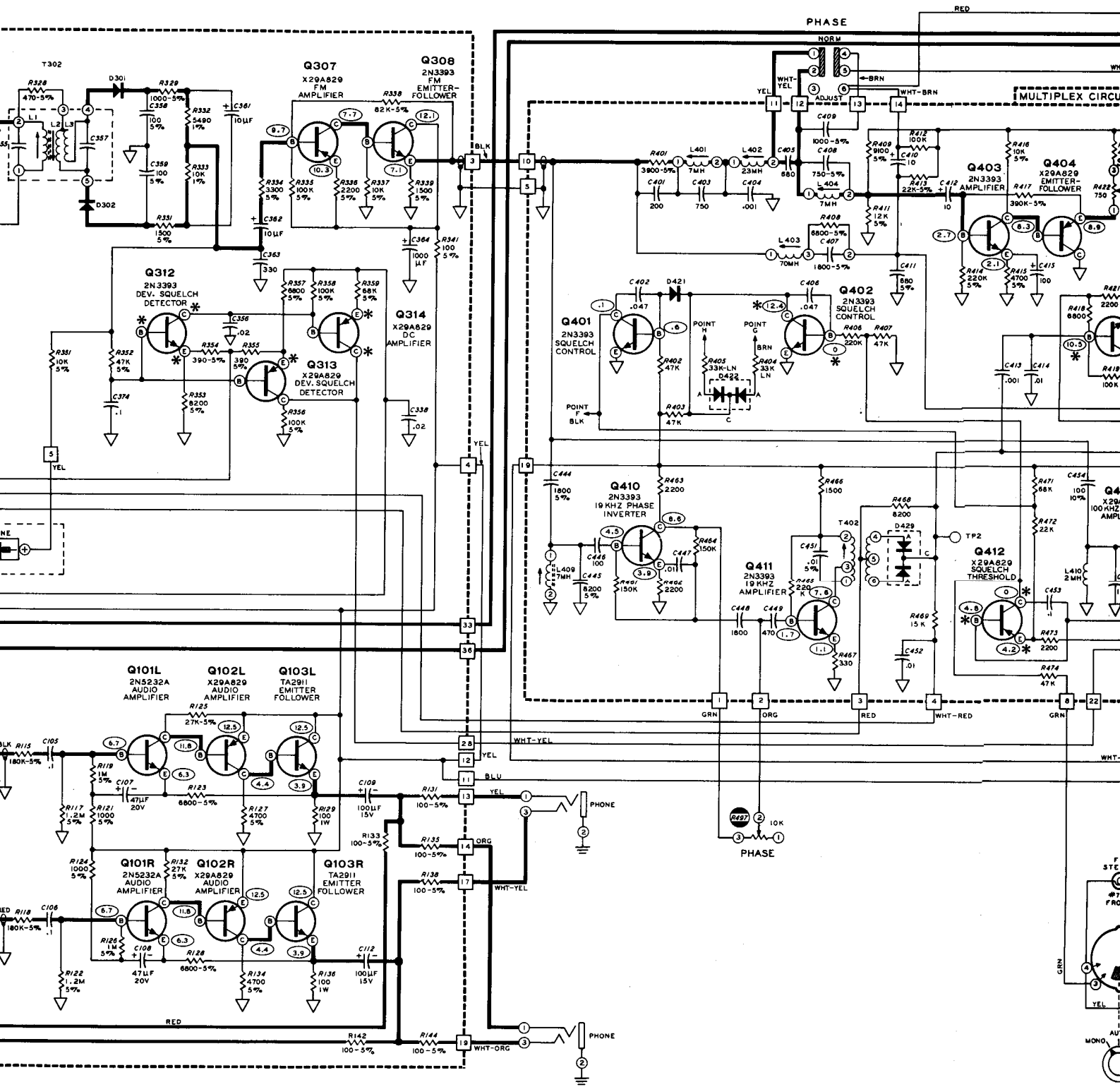
BLK-RED

TO DIAL LAMPS

WHT-BLK

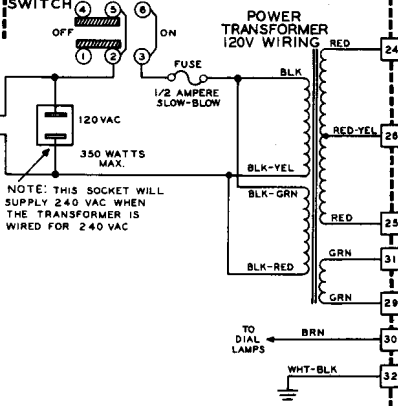
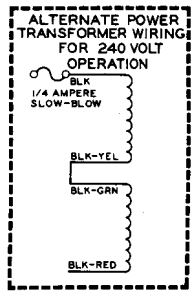
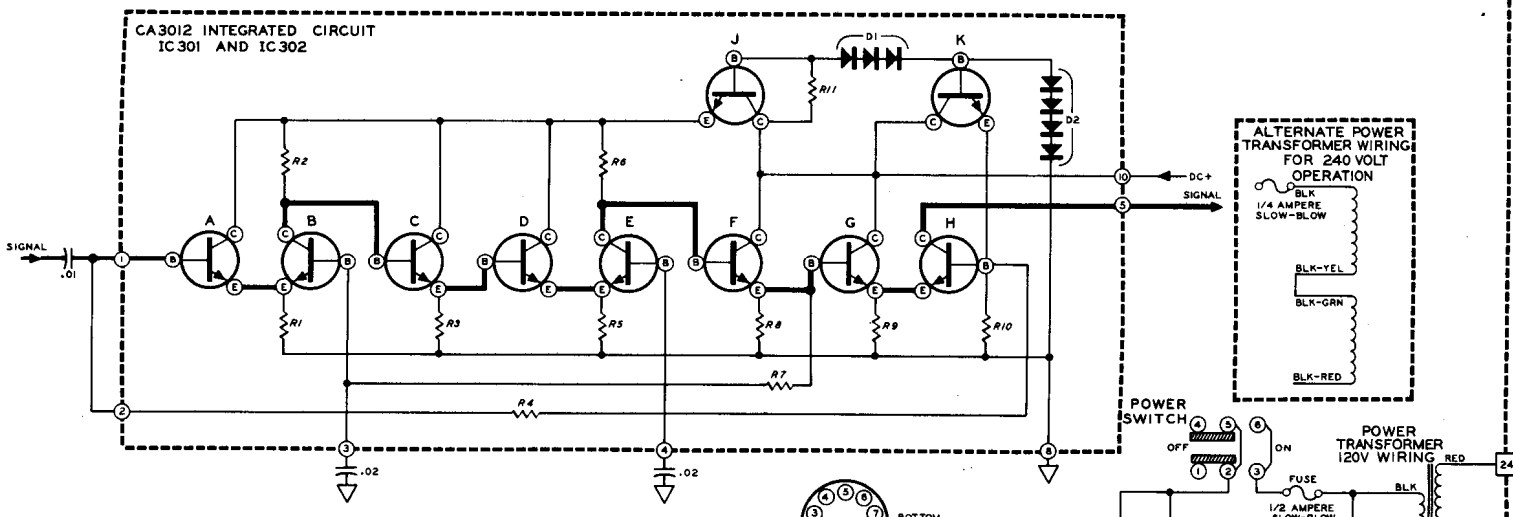
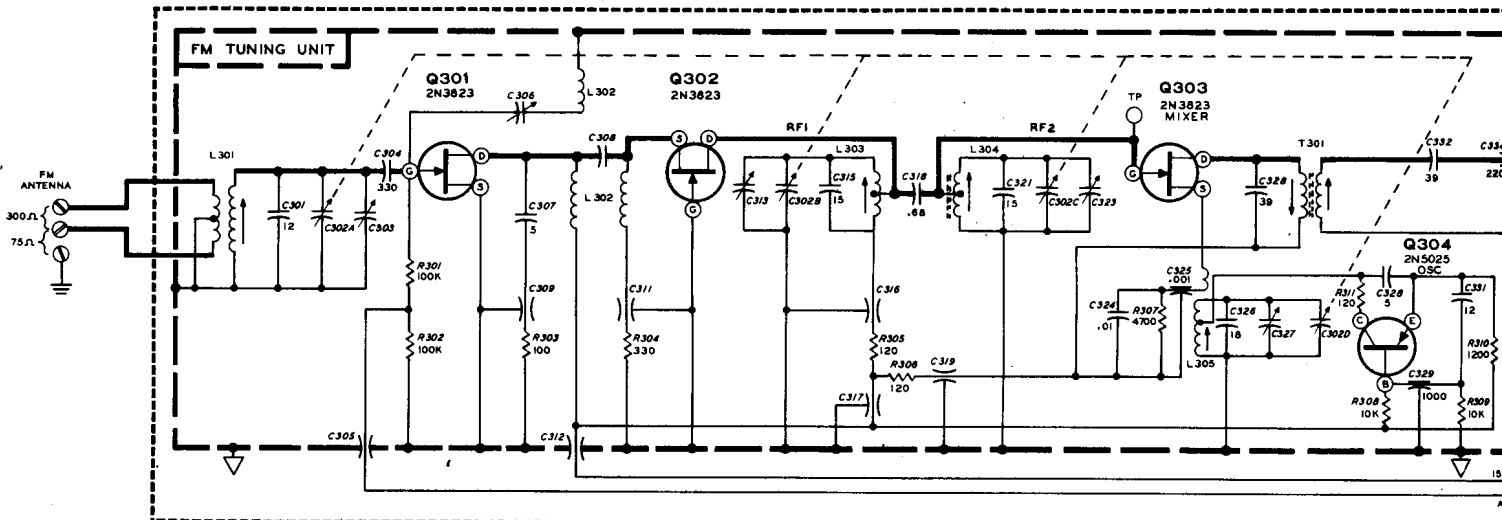
PART OF THE
THKIT®
SOLID-STATE TUNER
AJ-15

OUTPUTS



VARIABLE RIGHT

SELECT SW



NOTES

1. RESISTOR, CAPACITOR, AND COMPONENT NUMBERS ARE IN THE FOLLOWING GROUPS:
 100-199 PARTS IN AUDIO CIRCUIT.
 300-399 PARTS IN FM TUNER CIRCUIT.
 400-499 PARTS IN MULTIPLEX CIRCUIT.
 500-599 PARTS IN POWER SUPPLY CIRCUIT.
2. REFER TO THE CHASSIS PHOTOGRAPH AND CIRCUIT BOARD X-RAY VIEWS FOR THE PHYSICAL LOCATION OF PARTS.
3. RESISTORS, CAPACITORS, AND COMPONENTS IN THE AUDIO CIRCUIT (100-199) ARE DIVIDED AS FOLLOWS:
 ODD NUMBERS ARE IN THE LEFT CHANNEL
 EVEN NUMBERS ARE IN THE RIGHT CHANNEL
4. ALL RESISTORS ARE 1/2 WATT UNLESS MARKED OTHERWISE. RESISTOR VALUES ARE IN OHMS (K=1000, M=1,000,000).
5. CAPACITOR VALUES LESS THAN 1 ARE IN μ F. VALUES OF 1 AND ABOVE ARE IN PF (PICOFARADS) UNLESS MARKED OTHERWISE.
6. SOURCE SWITCH IS SHOWN IN FULL COUNTERCLOCKWISE POSITION AS VIEWED FROM KNOB END OF THE SHAFT.
7. ARROWS ON CONTROLS SHOW CLOCKWISE ROTATION, VIEWED FROM KNOB END OF THE SHAFT.
8. | | INDICATES A COLOR CODED SHIELDED CABLE.
9. THIS SYMBOL INDICATES THE NUMBER CONNECTIONS ON THE CIRCUIT BOARDS.
10. DC VOLTAGE MEASUREMENTS ARE TAKEN WITH AN 11 MEGOHM INPUT VOLTMETER, FROM THE POINT INDICATED TO CHASSIS GROUND. VOLTAGES MAY VARY $\pm 20\%$. LINE VOLTAGE 120 VAC.
11. \lfloor THIS SYMBOL DENOTES THE GROUND FOIL OF A CIRCUIT BOARD. \equiv THIS SYMBOL DENOTES THE CHASSIS GROUND.
12. \bigcirc THIS SYMBOL INDICATES A POSITIVE DC VOLTAGE MEASUREMENT, TAKEN UNDER THE FOLLOWING CONDITIONS:
 SOURCE SWITCH..... MONO
 SQUELCH CONTROL..... FULLY COUNTER CLOCKWISE
 STEREO THRESHOLD..... MINIMUM
 ANTENNA NOT CONNECTED
13. \odot THIS SYMBOL AROUND A PART NUMBER INDICATES THAT THIS PART IS MOUNTED ON THE CHASSIS. EVEN WHEN ITS POSITION ON THE SCHEMATIC SUGGESTS ANOTHER LOCATION.
14. * AN ASTERISK INDICATES THAT A VOLTAGE MEASUREMENT CAN BE MADE UNDER CONDITIONS OTHER THAN THOSE INDICATED BY \bigcirc . SEE THE CIRCUIT BOARD VOLTAGE X-RAY VIEWS FOR THESE CONDITIONS AND VOLTAGES.

SCHEMATIC OF THE HEATHKIT[®] FM-FM STEREO SOLID-STATE TUNER MODEL AJ-15

