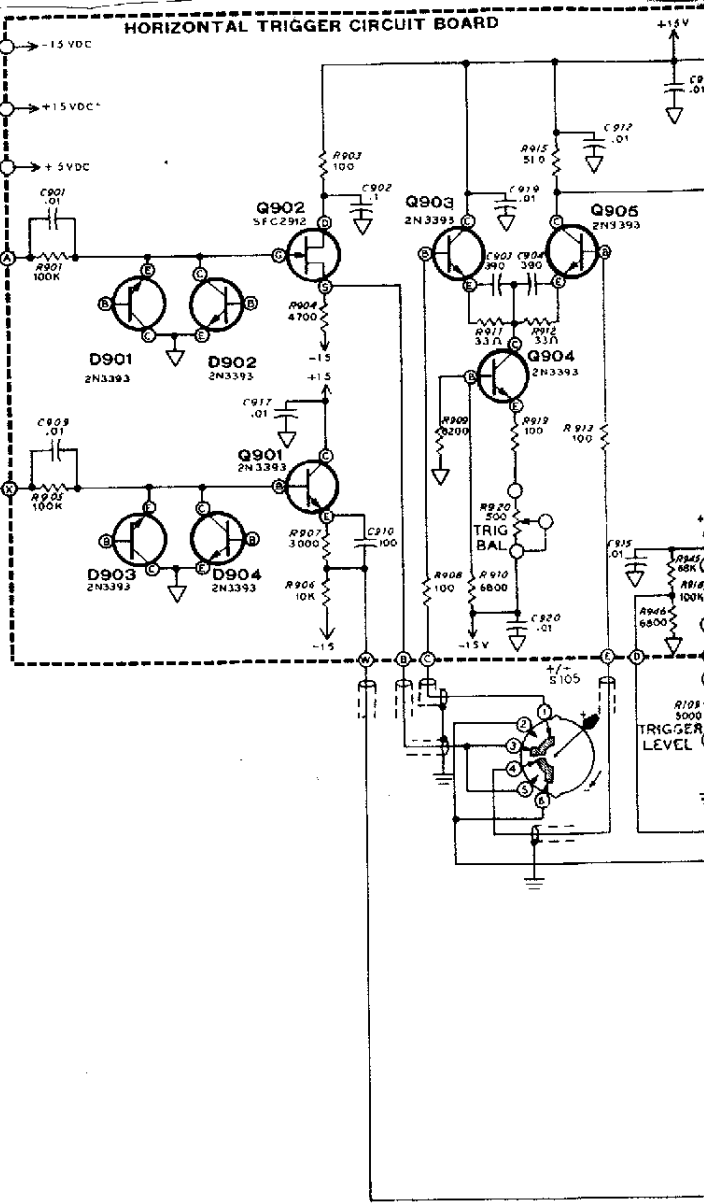
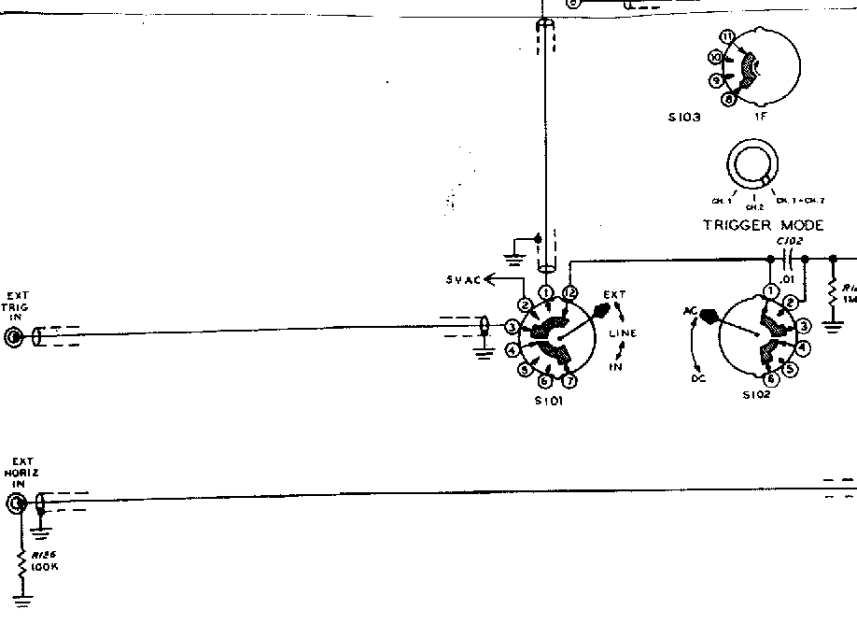
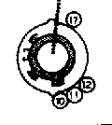
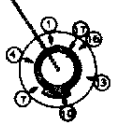
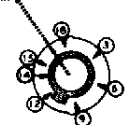
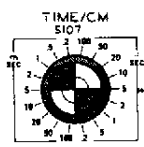
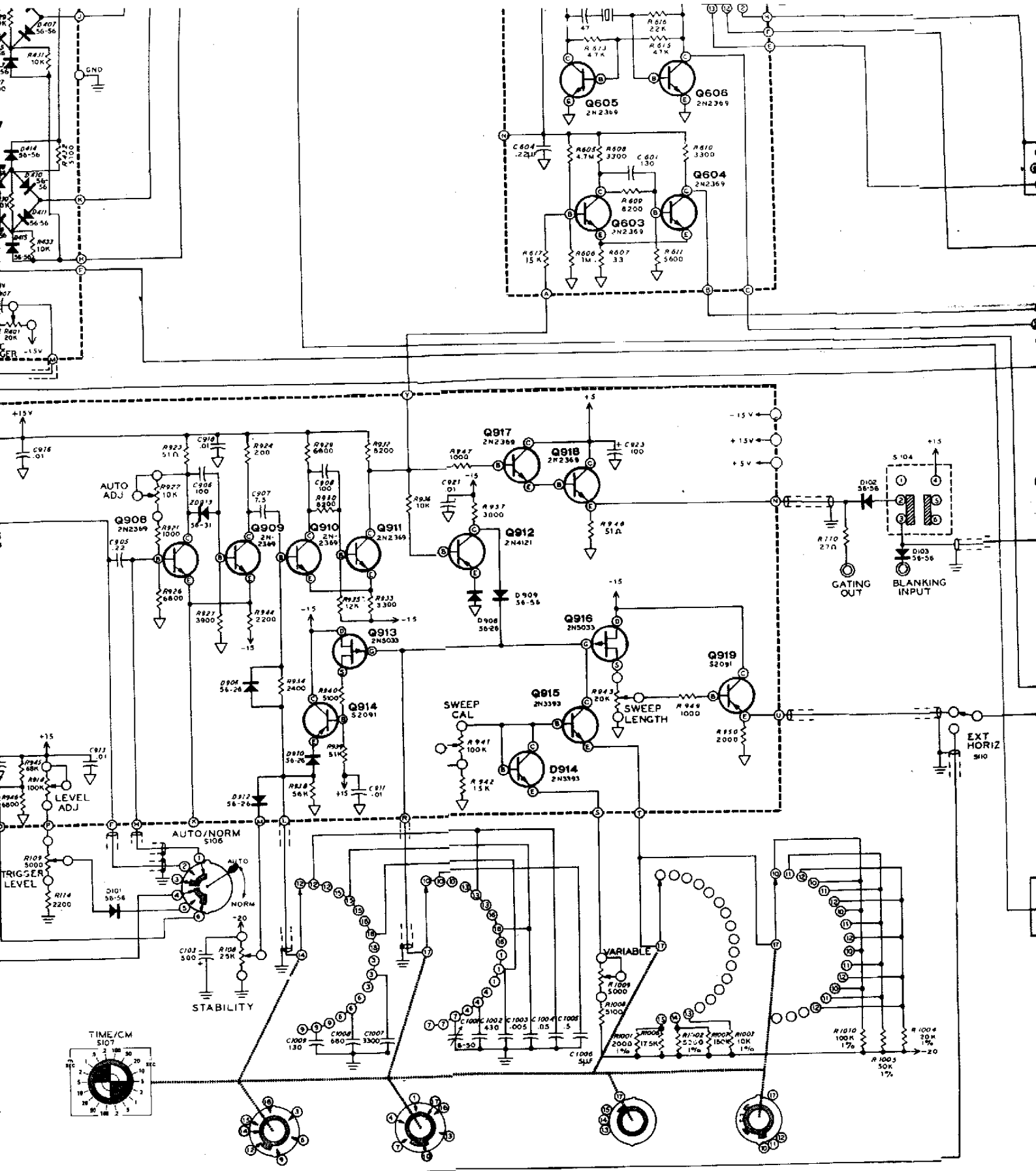


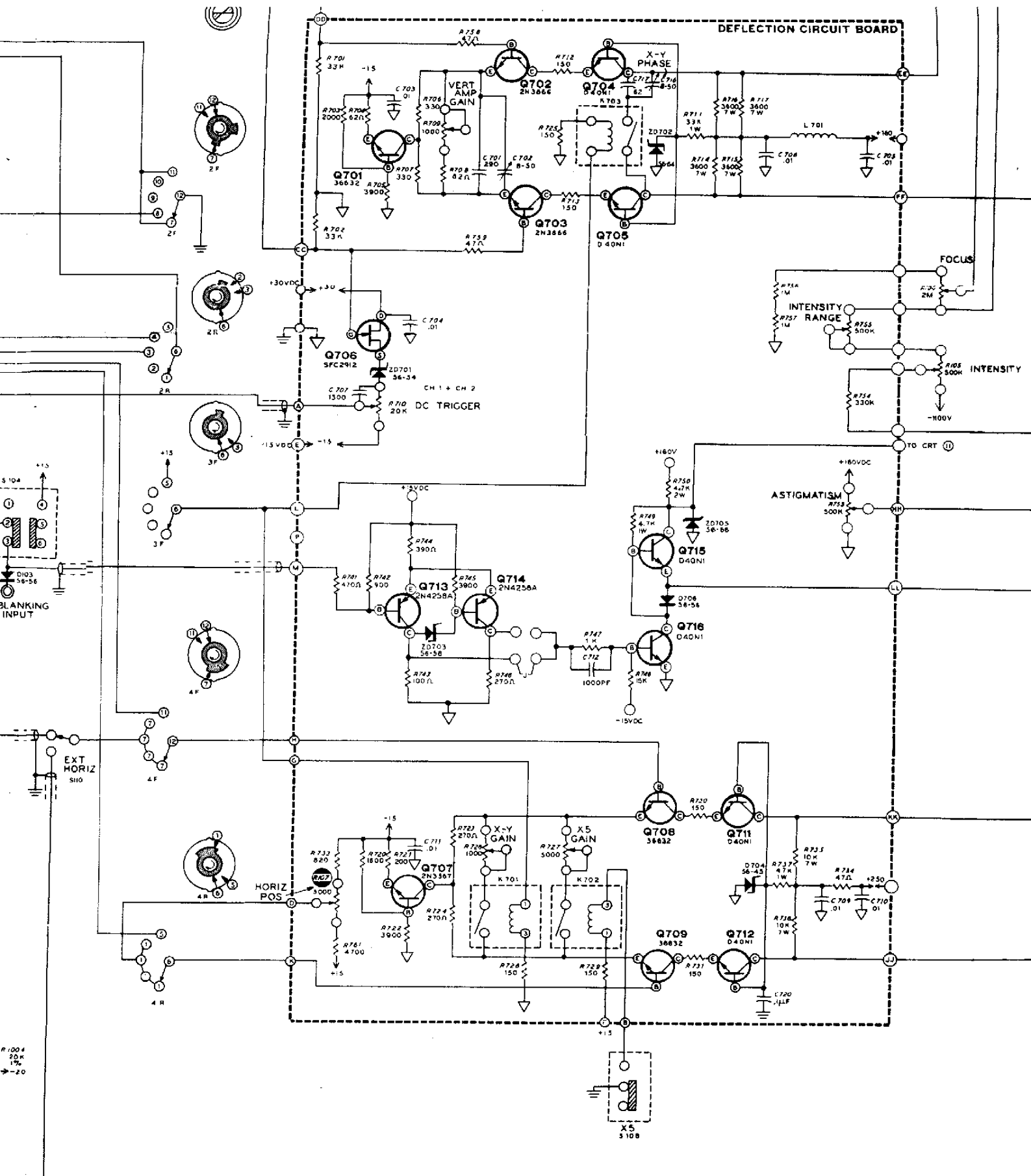
CHANNEL 2 VERT AMP

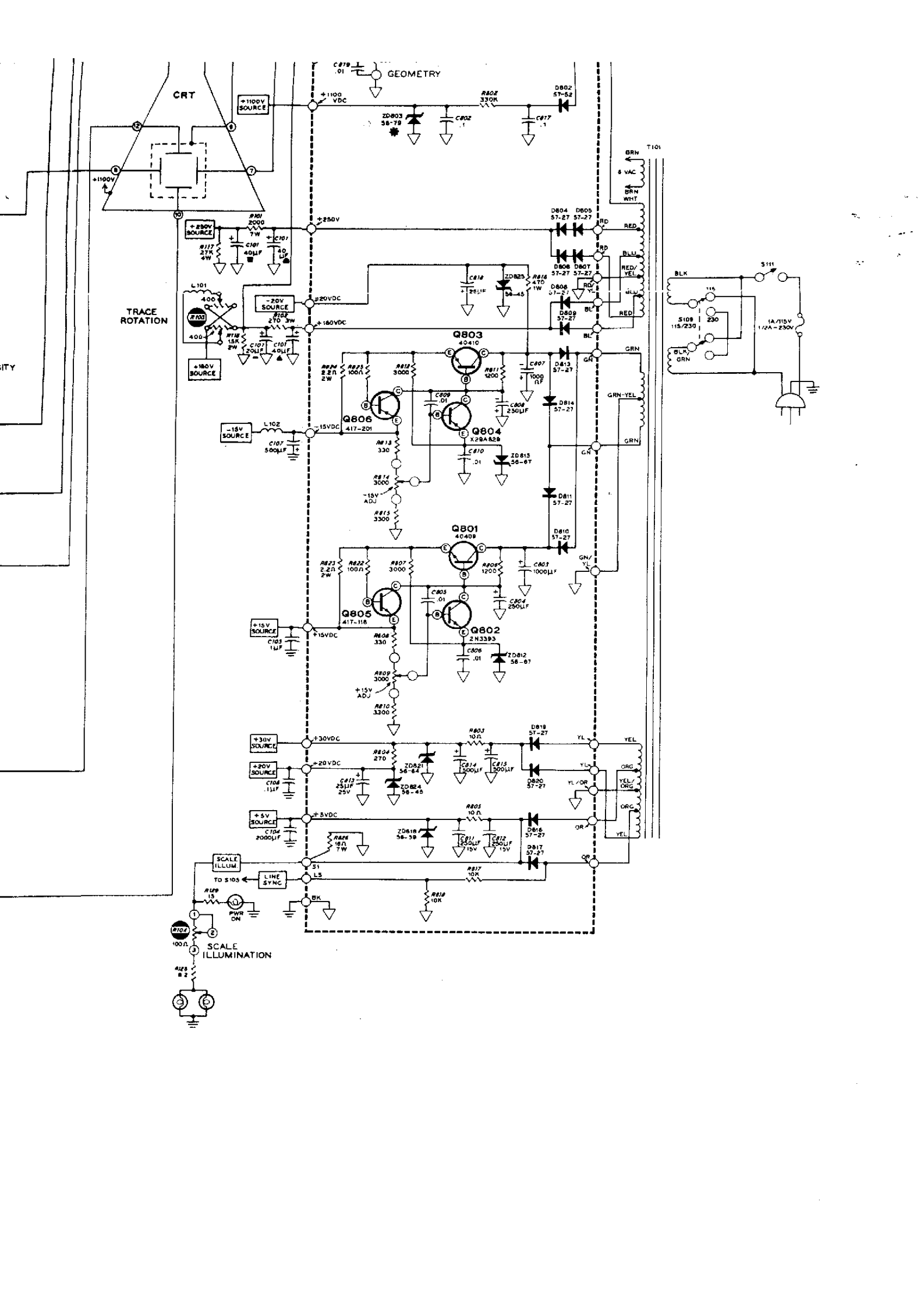


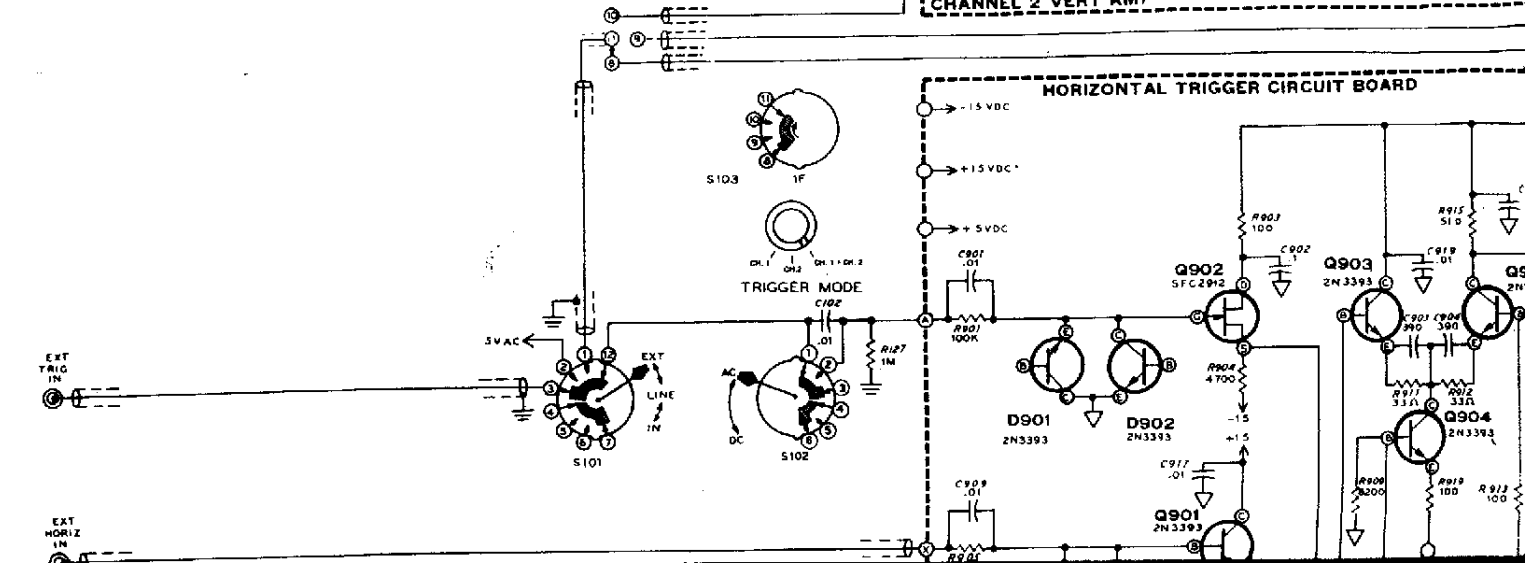
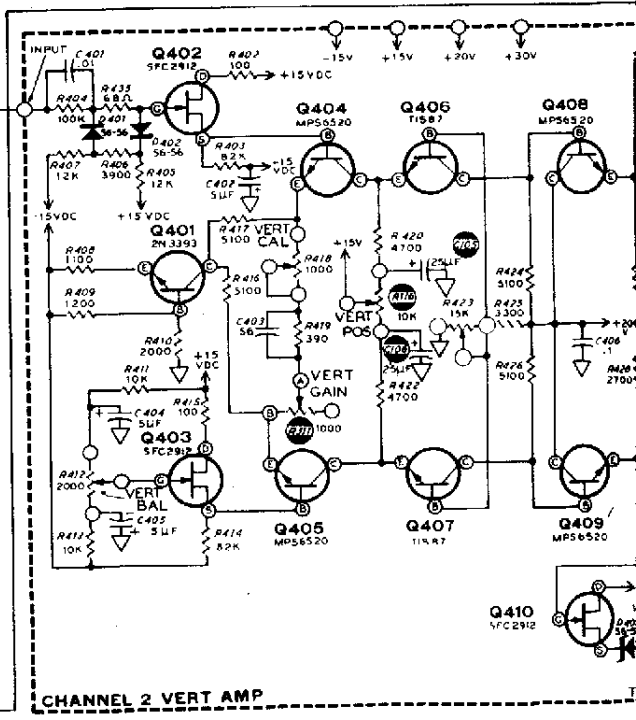
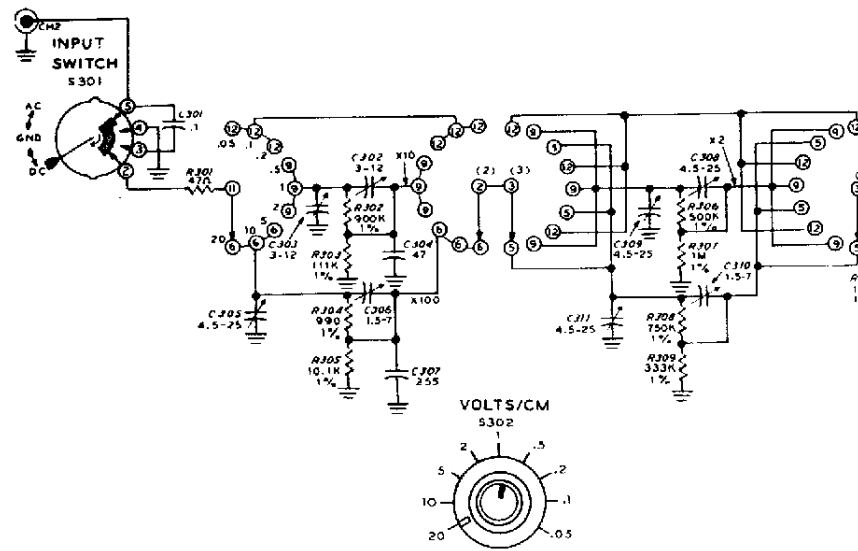
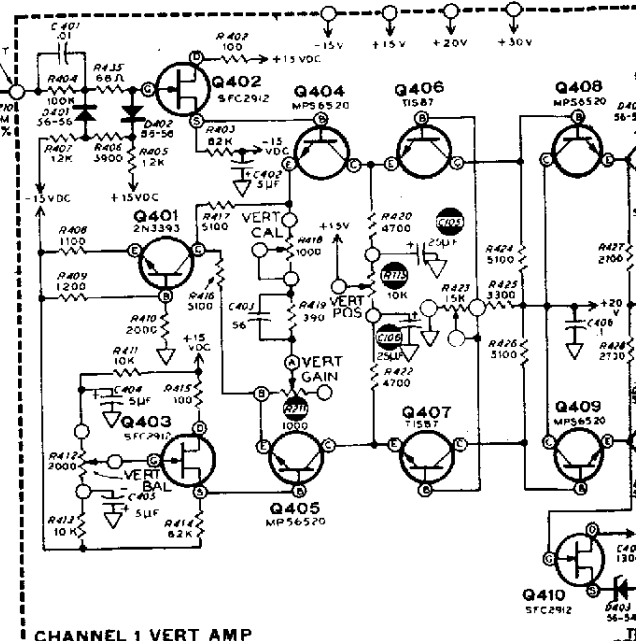
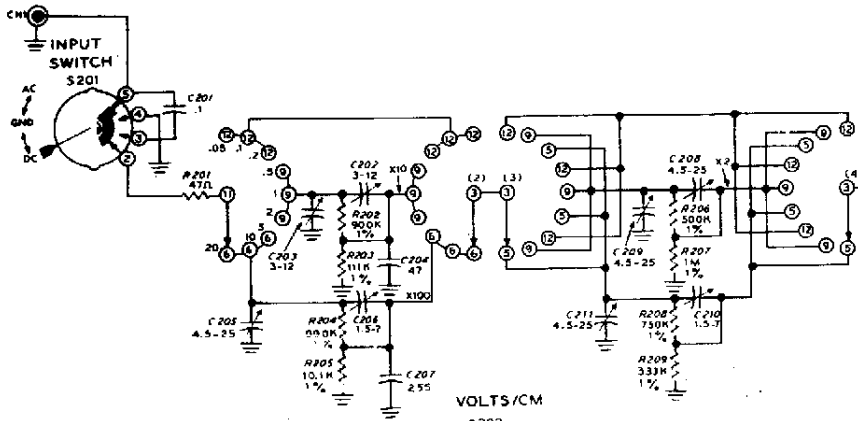
HORIZONTAL TRIGGER CIRCUIT BOARD

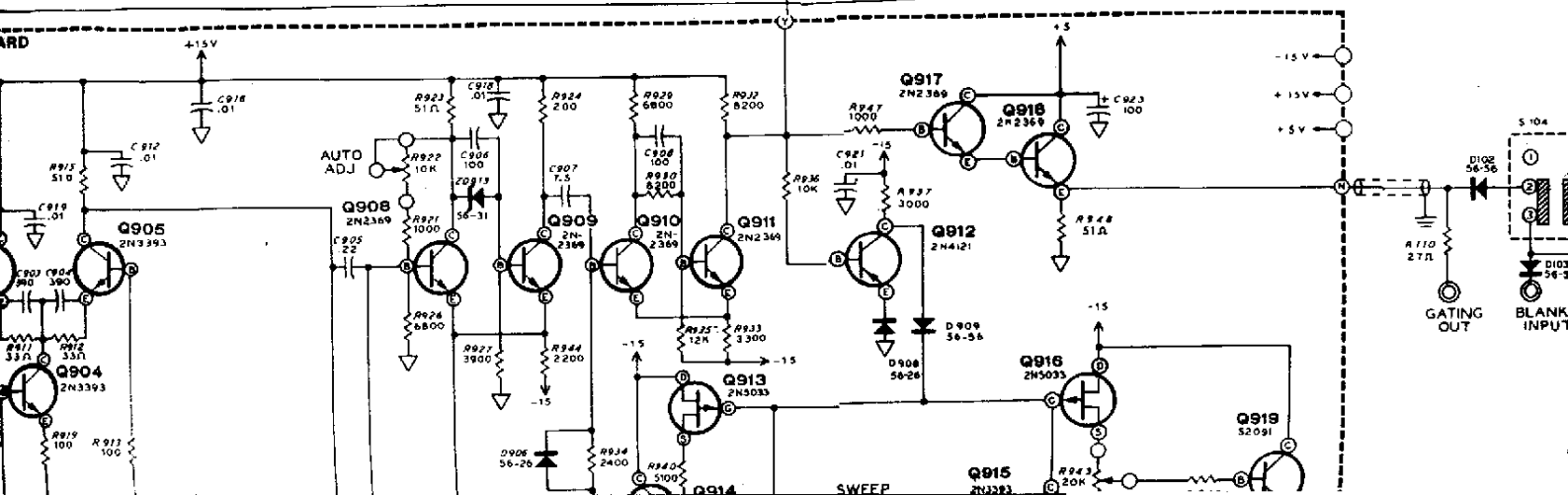
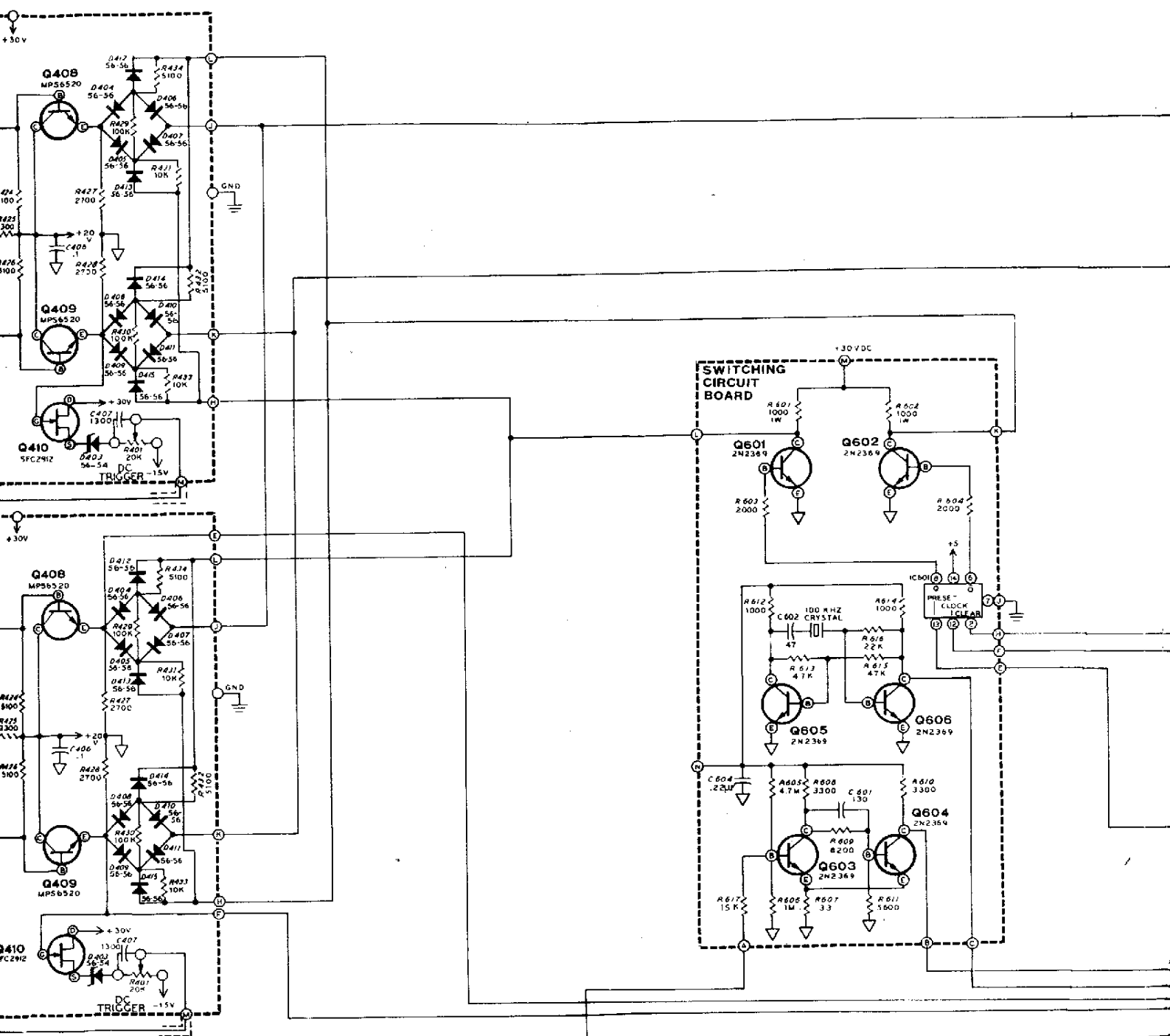
TRIGGER LEVEL











# SCHEMATIC OF THE HEATH DUAL-TRACE OSCILLOSCOPE MODEL EU-70A

**NOTES:**

1. RESISTOR, CAPACITOR, AND TRANSISTOR NUMBERS ARE IN THE FOLLOWING GROUPS:

100-199	PARTS MOUNTED ON THE CHASSIS.
200-299	PARTS MOUNTED ON THE CHANNEL 1 VERTICAL ATTENUATOR.
300-399	PARTS MOUNTED ON THE CHANNEL 2 VERTICAL ATTENUATOR.
400-499	PARTS MOUNTED ON THE CHANNEL 1 AND CHANNEL 2 VERTICAL PREAMPLIFIER CIRCUIT BOARDS.
600-699	PARTS MOUNTED ON THE SWITCHING CIRCUIT BOARD.
700-799	PARTS MOUNTED ON THE DEFLECTION CIRCUIT BOARD.
800-899	PARTS MOUNTED ON THE POWER SUPPLY CIRCUIT BOARD.
900-999	PARTS MOUNTED ON THE SWEEP GENERATOR CIRCUIT BOARD.
1000-1999	PARTS MOUNTED ON THE TIME/CM SWITCH.

2. ALL RESISTORS ARE 1/2 WATT UNLESS OTHERWISE MARKED. RESISTOR VALUES ARE IN OHMS (K-1,000, M-1,000,000).

3. ALL CAPACITOR VALUES LESS THAN 1 ARE IN  $\mu$ F. VALUES OF 1 AND ABOVE ARE IN PF, UNLESS MARKED OTHERWISE.

4. REFER TO THE CHASSIS PHOTOGRAPHS AND CIRCUIT BOARD X-RAY VIEWS FOR THE PHYSICAL LOCATION OF PARTS.


5.  THIS SYMBOL INDICATES CIRCUIT BOARD GROUND.

6.  THIS SYMBOL INDICATES CHASSIS GROUND.

7.  THIS SYMBOL INDICATES A PART MOUNTED ON THE CHASSIS ALTHOUGH ITS LOCATION IN THE SCHEMATIC SUGGESTS OTHERWISE.

8. \* THIS SYMBOL INDICATES TRANSISTORS SELECTED AT THE FACTORY TO BALANCE THE PREAMPLIFIER.

9. ALL SWITCH ROTORS ARE SHOWN IN THE FULLY COUNTERCLOCKWISE POSITION WHEN VIEWED FROM THE KNOB END.

10. ARROW () INDICATES CLOCKWISE ROTATION OF THE KNOB (VIEWED FROM THE KNOB END).

11. \* THIS SYMBOL INDICATES THAT ZD822 AND ZD803 EACH CONSIST OF FOUR DIODES CONNECTED IN SERIES.

