

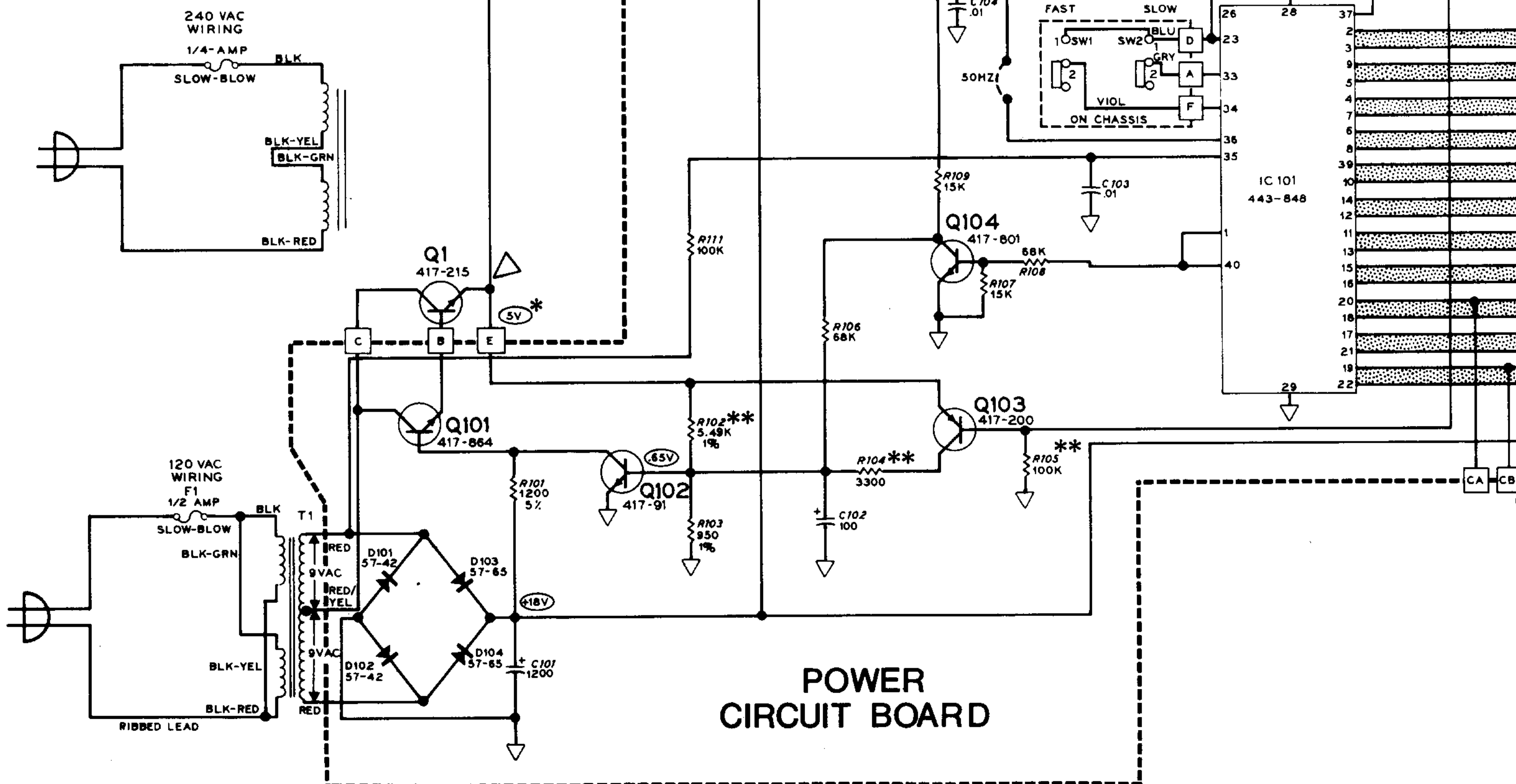
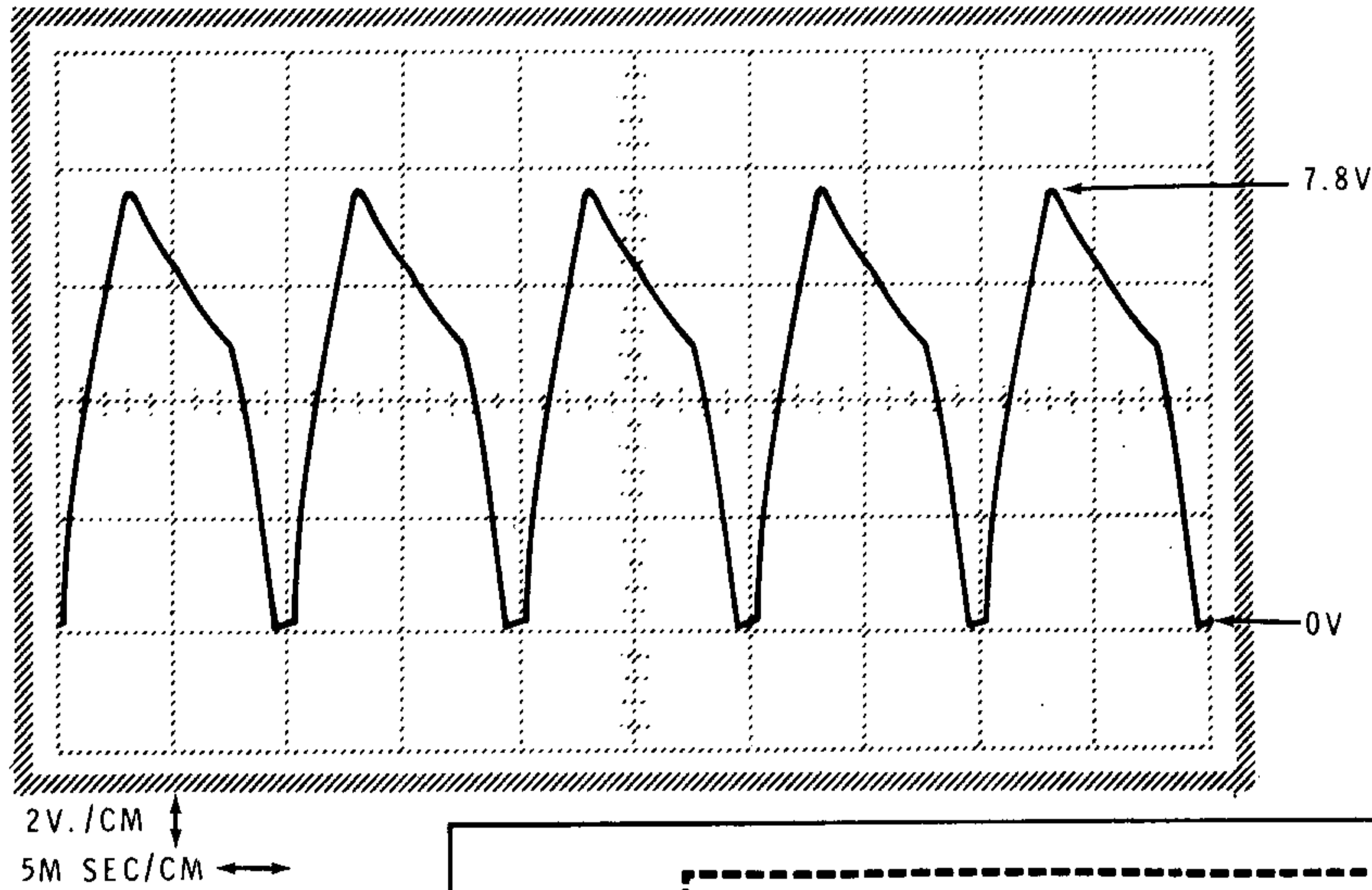
# HEATHKIT® DIGITAL FLOOR CLOCK / DIGITAL SHELF CLOCK MODEL GC-1195/GC-1197

**NOTES:**

1. ALL RESISTORS ARE 1/2-WATT. VALUES ARE SHOWN IN OHMS (K=1000).
2. CAPACITOR VALUES ARE SHOWN IN MICROFARADS.
3. SYMBOLS:  
 = LETTERED CIRCUIT BOARD HOLE.  
 = CIRCUIT BOARD GROUND.  
 = CHASSIS GROUND.  
 = DC VOLTAGE.  
 = WAVEFORM
4. COMPONENTS ARE NUMBERED ON THE SCHEMATIC IN THE FOLLOWING GROUPS:  
 1 - 10 PARTS ON THE CHASSIS  
 101 - 150 PARTS ON THE POWER CIRCUIT BOARD.  
 201 - 250 PARTS ON THE DISPLAY CIRCUIT BOARD.

\* THIS VOLTAGE IS NOT FILTERED AND MAY VARY GREATLY ON MOST VOLTMETERS. THIS VOLTAGE ALSO DEPENDS ON THE LDR RESISTANCE AND WILL BE LESS IN DIM AMBIENT LIGHT.

\*\* THESE RESISTORS MAY BE A DIFFERENT VALUE. SEE PAGE 36 OF THE MANUAL.



# HEATHKIT® DIGITAL FLOOR CLOCK / DIGITAL SHELF CLOCK MODEL GC-1195/GC-1197

RESISTORS ARE 1/2-WATT. VALUES ARE SHOWN IN

4. COMPONENTS ARE NUMBERED ON THE SCHEMATIC IN THE FOLLOWING GROUPS:

VALUES ARE SHOWN IN MICROFARADS.

- 1 - 10 PARTS ON THE CHASSIS
- 101 - 150 PARTS ON THE POWER CIRCUIT BOARD.
- 201 - 250 PARTS ON THE DISPLAY CIRCUIT BOARD.

DRILL HOLE FOR POWER CIRCUIT BOARD HOLE.

CONNECT TO POWER CIRCUIT BOARD GROUND.

CONNECT TO CHASSIS GROUND.

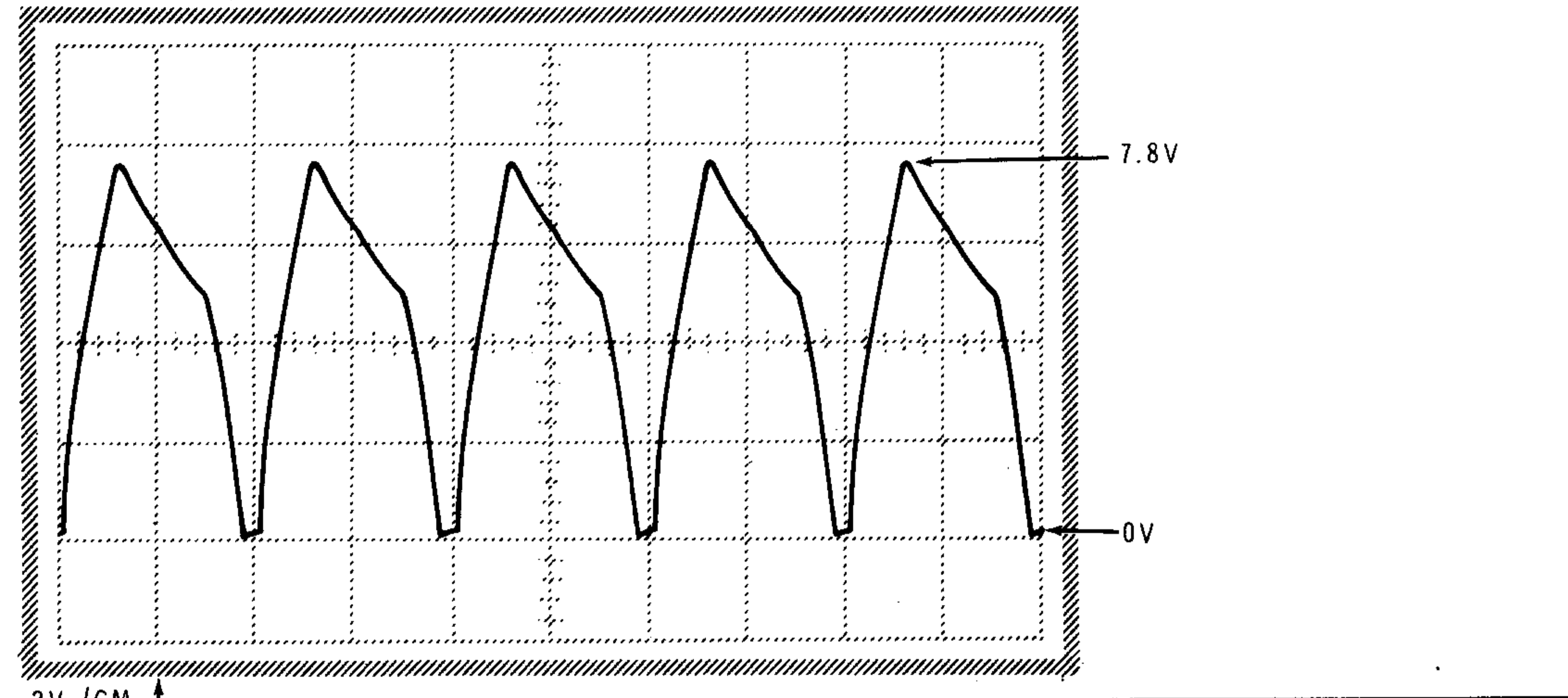
CONNECT TO 5V GND.

CONNECT TO 5V GND.

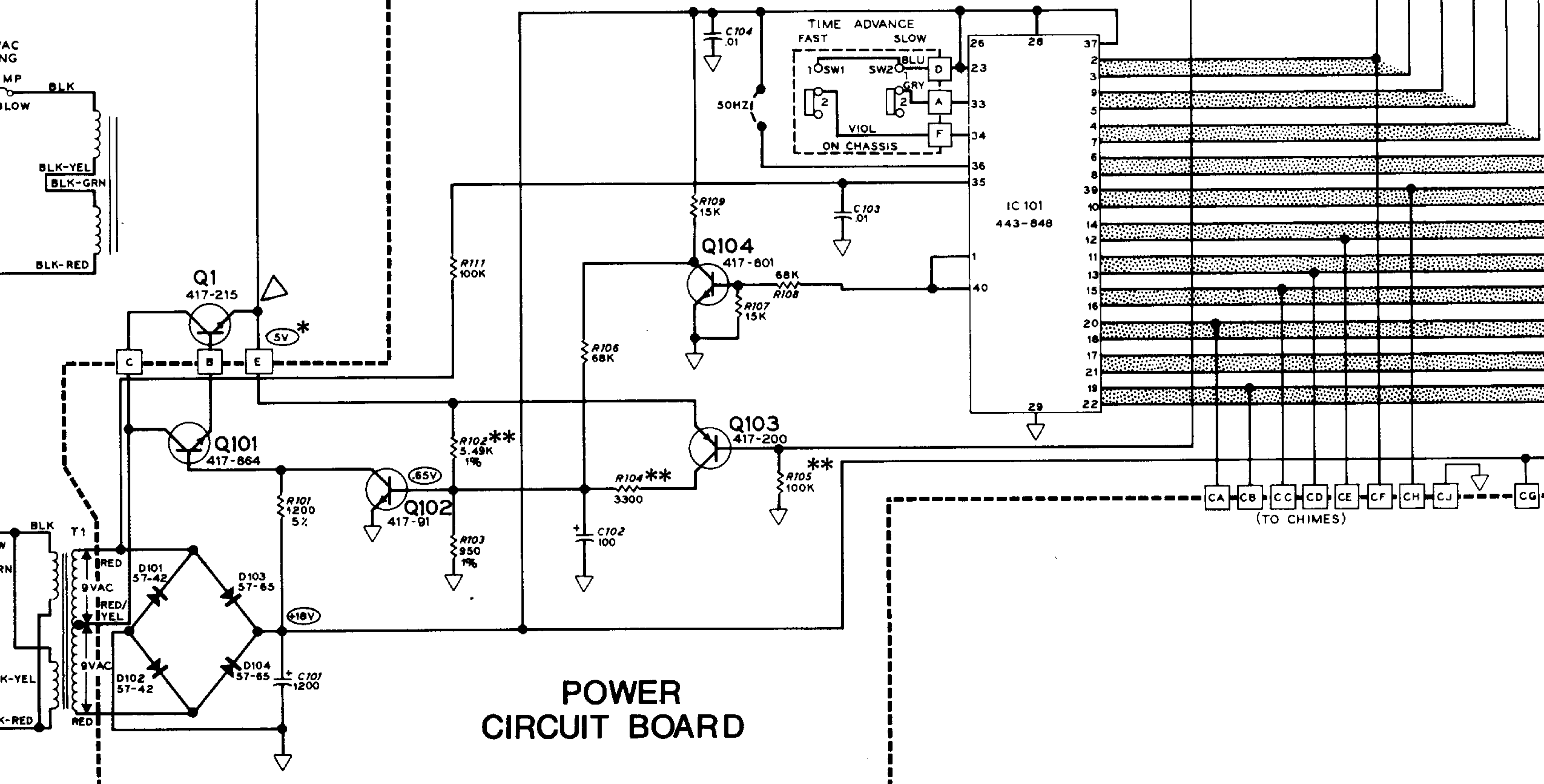
CONNECT TO 5V GND.

\* THIS VOLTAGE IS NOT FILTERED AND MAY VARY GREATLY ON MOST VOLTMETERS. THIS VOLTAGE ALSO DEPENDS ON THE LDR RESISTANCE AND WILL BE LESS IN DIM AMBIENT LIGHT.

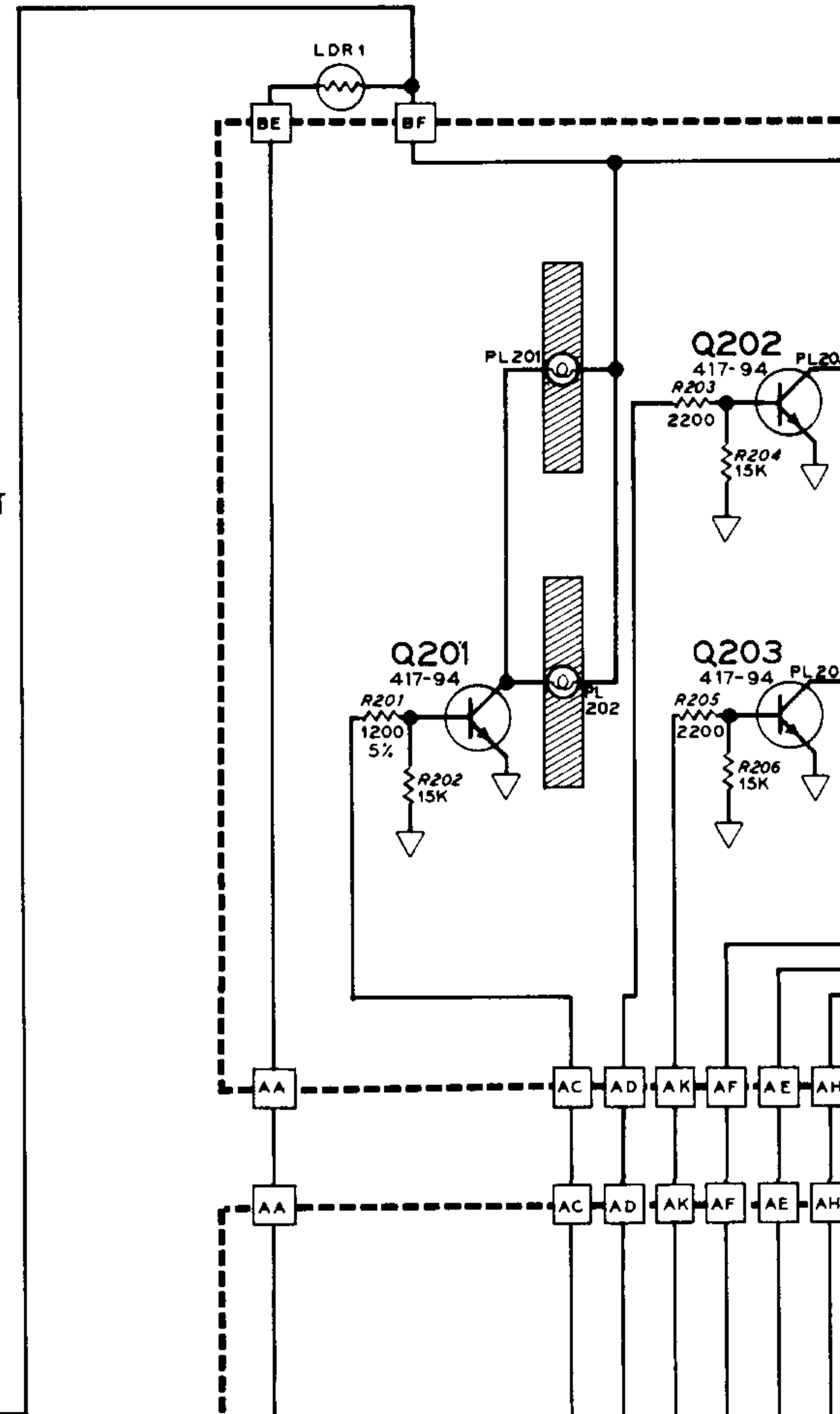
\*\* THESE RESISTORS MAY BE A DIFFERENT VALUE. SEE PAGE 36 OF THE MANUAL.



2V/CM  
5M SEC/CM



**POWER  
CIRCUIT BOARD**



(TO CHIMES)

