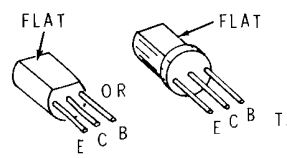


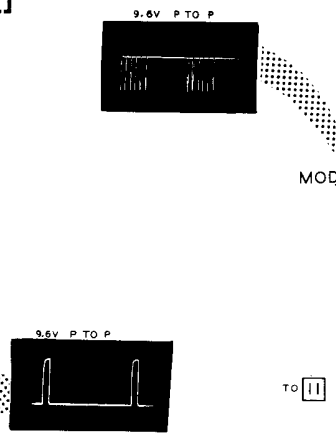
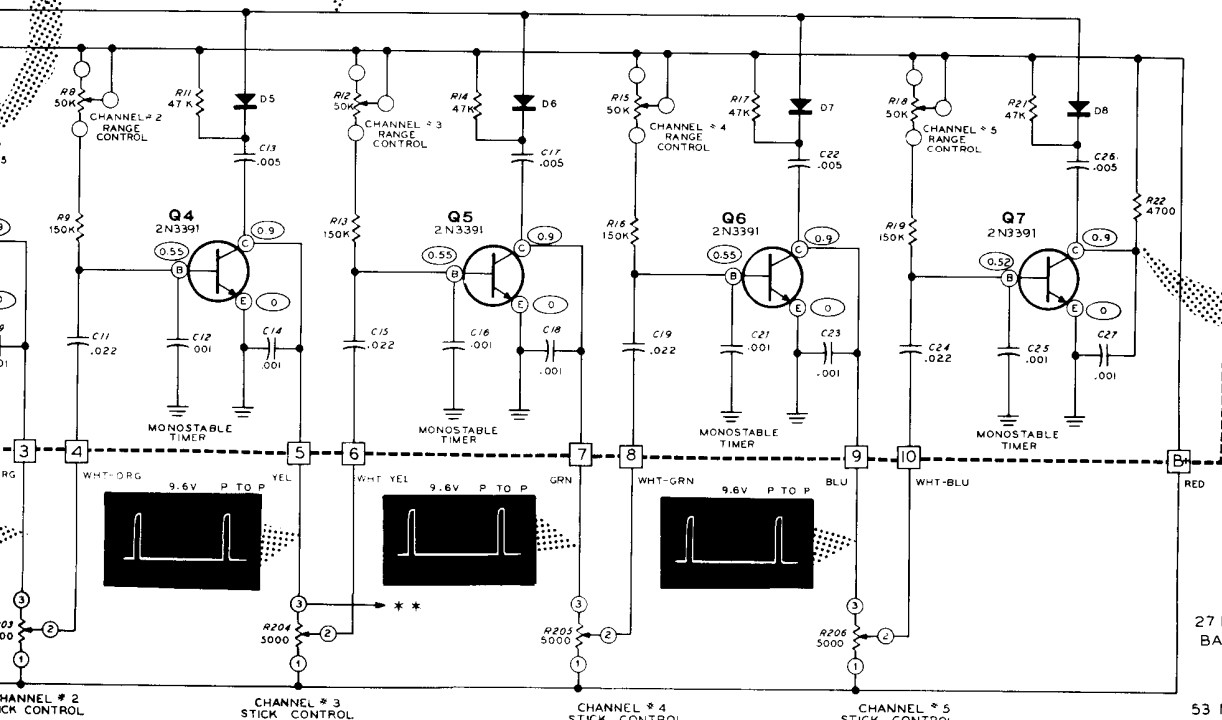
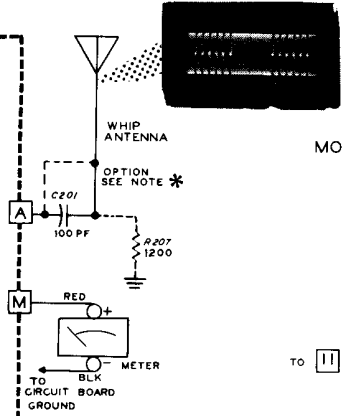
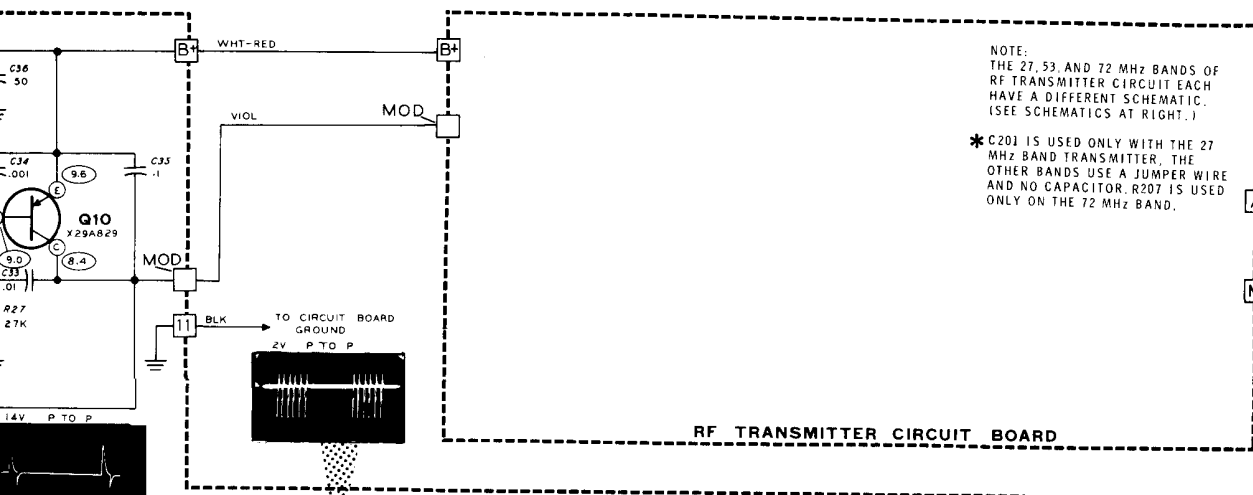
	C1	C4
27 MHz	47PF	47PF
53-72 MHz	27PF	27PF

**SCHEMATIC OF THE
HEATHKIT®
DIGITAL 5 PROPORTIONAL RECEIVER
MODEL GDA-19-2**

1. RESISTOR AND CAPACITOR VALUES ARE IN OHMS UNLESS INDICATED OTHERWISE.
2. 0-99 PARTS MOUNTED IN THE FRONT PANEL.
3. 100-199 PARTS MOUNTED IN THE REAR PANEL.
4. ALL RESISTORS ARE 1/4 WATT UNLESS INDICATED OTHERWISE. VALUES ARE IN OHMS (K = THOUSANDS).
5. ALL CAPACITOR VALUES ARE IN PICO FARADS (PF = PICO FARADS).
6. ○ THIS SYMBOL INDICATES A POINT WHERE A SIGNAL IS NOT BEING RECEIVED.
7. □ THIS SYMBOL INDICATES A POINT WHERE A SIGNAL IS BEING RECEIVED.
8. ALL VOLTAGES ARE MEASURED FROM THE POINT INDICATED BY THE CIRCLE.
9. REFER TO THE CIRCUIT BOARD PARTS LIST FOR PARTS.
10. * 470Ω RESISTOR FOR 53 MHz OR 72 MHz OPERATION.



- 16G2349
- 2N3393
- X29A826
- 2N5232A

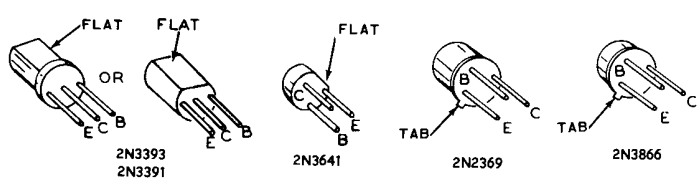


CRYSTAL FREQUENCY MHZ

	TRANSMITTER	RECEIVER
27 MHZ BAND	26.995	26.542
	27.045	26.592
	27.095	26.642
	27.145	26.692
	27.195	26.742
53 MHZ BAND	53.100	26.3235
	53.200	26.3735
	53.300	26.4235
	53.400	26.4735
	53.500	26.5235
72 MHZ BAND	36.040	36.2665
	36.120	36.3465
	36.200	36.4265
	36.480	36.7065
	37.620	37.5935

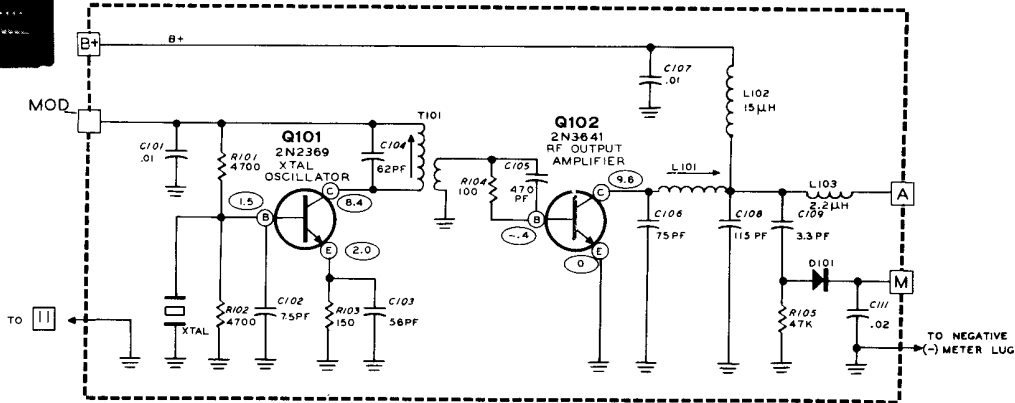
NUMBERS ARE IN THE FOLLOWING GROUPS:
 1. POINTS INDICATED ON THE ENCODER CIRCUIT BOARD.
 2. POINTS INDICATED ON THE RF TRANSMITTER CIRCUIT BOARD.
 3. POINTS INDICATED ON THE CHASSIS.
 4. POINTS INDICATED ON THE CHASSIS PHOTOGRAPHS AND CIRCUIT BOARD X-RAY VIEWS FOR THE PHYSICAL LOCATION OF PARTS.

- THIS SYMBOL INDICATES A POSITIVE DC VOLTAGE MEASUREMENT, TAKEN WITH A HIGH IMPEDANCE VOLTMETER, FROM THE POINT INDICATED TO CHASSIS GROUND. VOLTAGES MAY VARY $\pm 20\%$.
- REFER TO THE CHASSIS PHOTOGRAPHS AND CIRCUIT BOARD X-RAY VIEWS FOR THE PHYSICAL LOCATION OF PARTS.

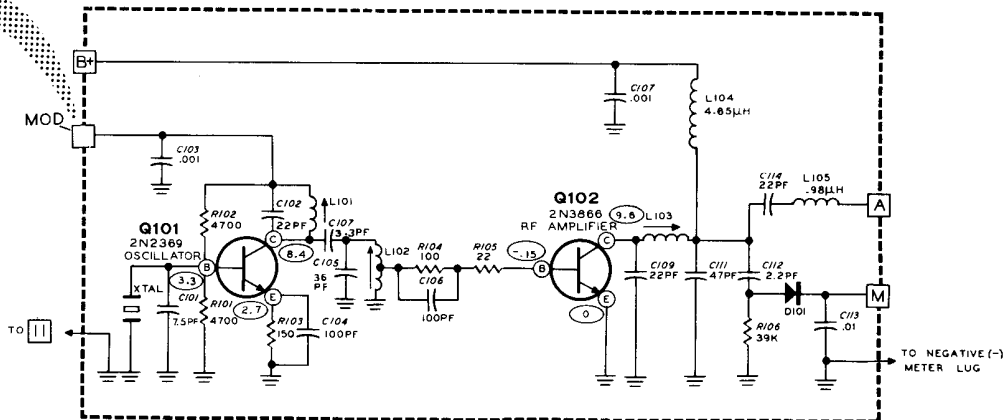


RESISTOR VALUES ARE IN Ω UNLESS MARKED OTHERWISE.
 CAPACITOR VALUES ARE IN μF UNLESS MARKED OTHERWISE.

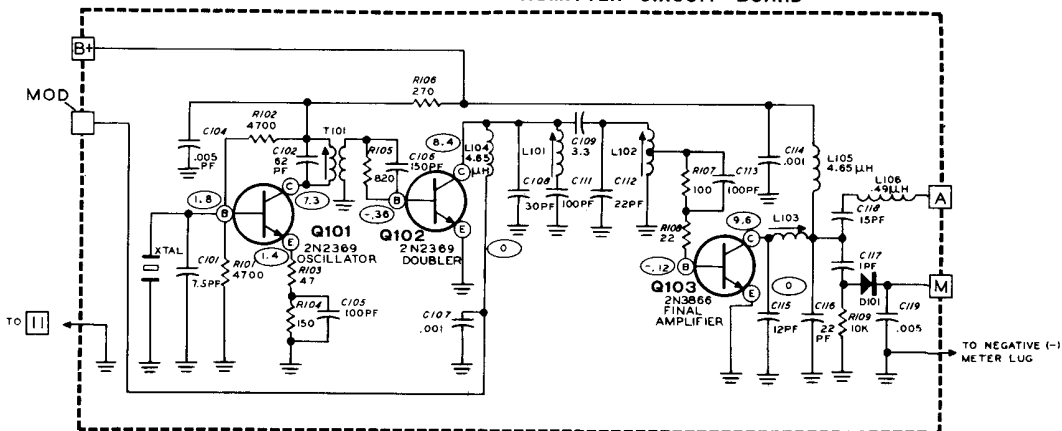
27 MHz BAND - RF TRANSMITTER CIRCUIT BOARD



53 MHz BAND - RF TRANSMITTER CIRCUIT BOARD



72 MHz BAND - RF TRANSMITTER CIRCUIT BOARD



72 MHz RECEIVER

28.542
28.592
28.642
28.692
28.742
28.792
28.842
28.892
28.942
28.992
29.042
29.092
29.142
29.192
29.242
29.292
29.342
29.392
29.442
29.492
29.542