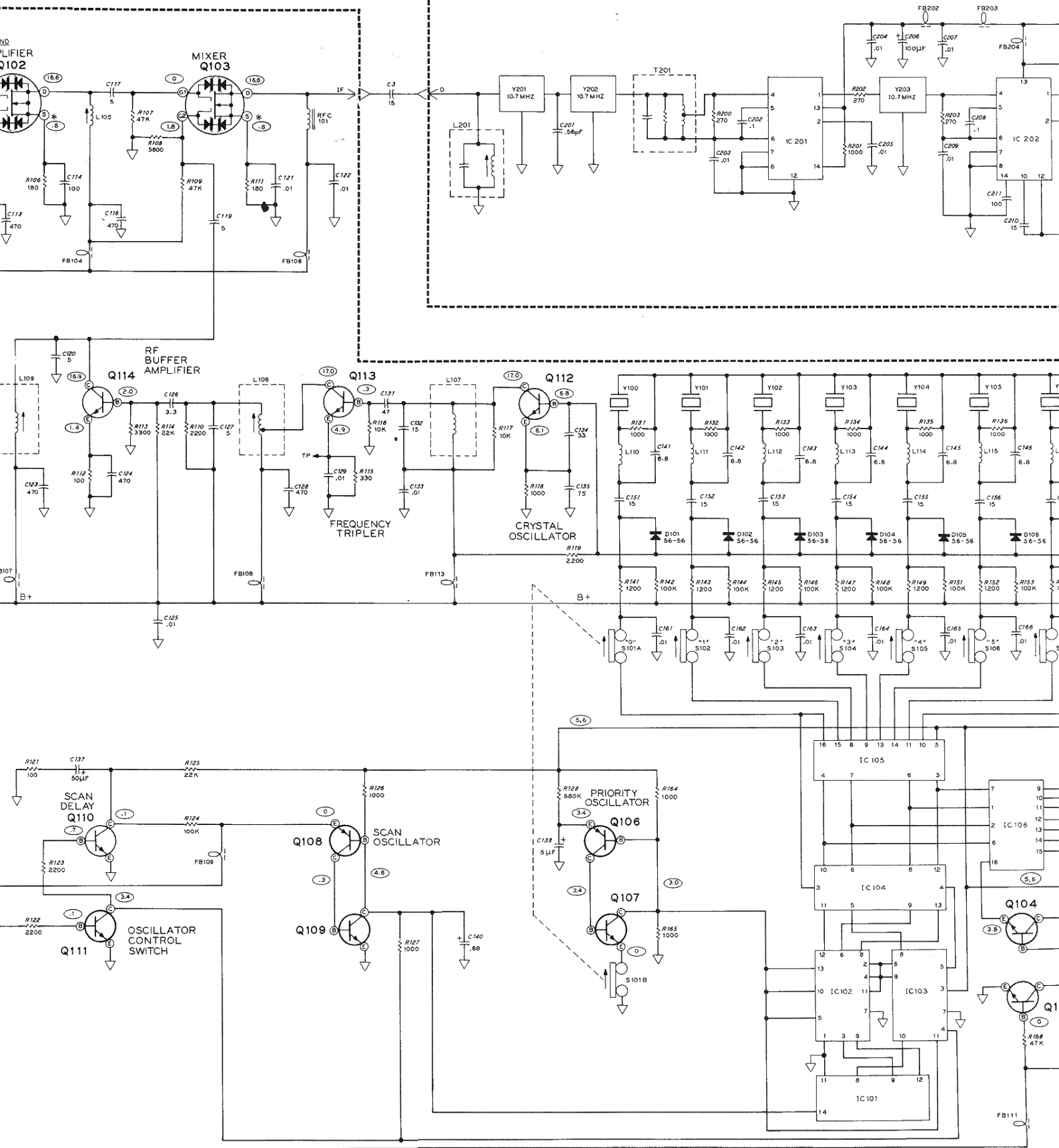
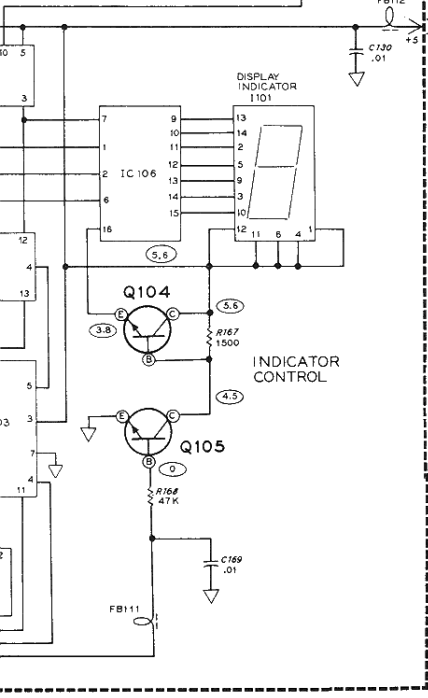
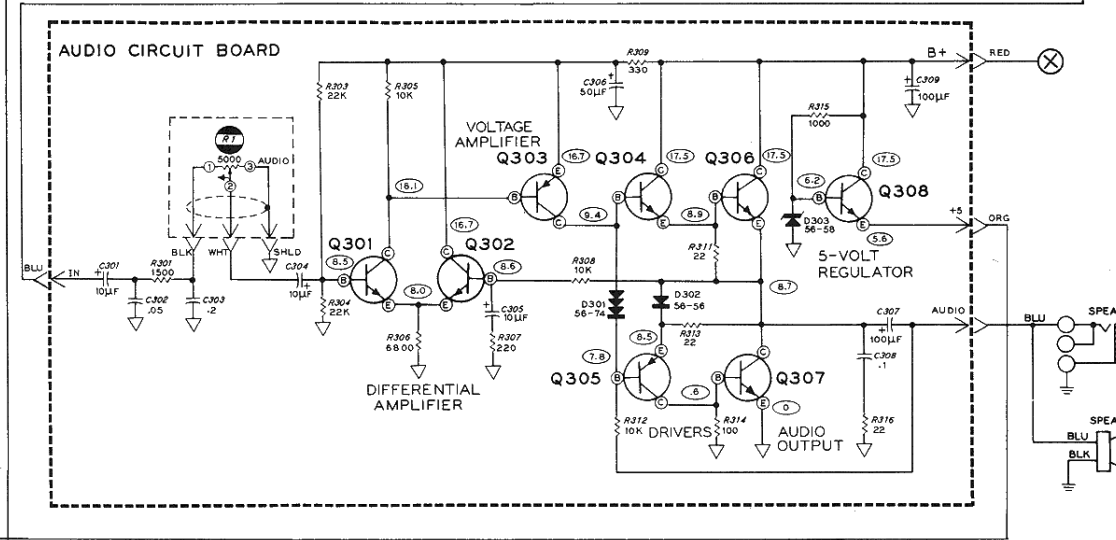
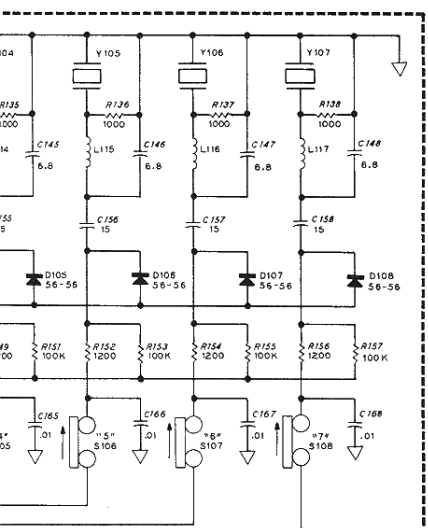
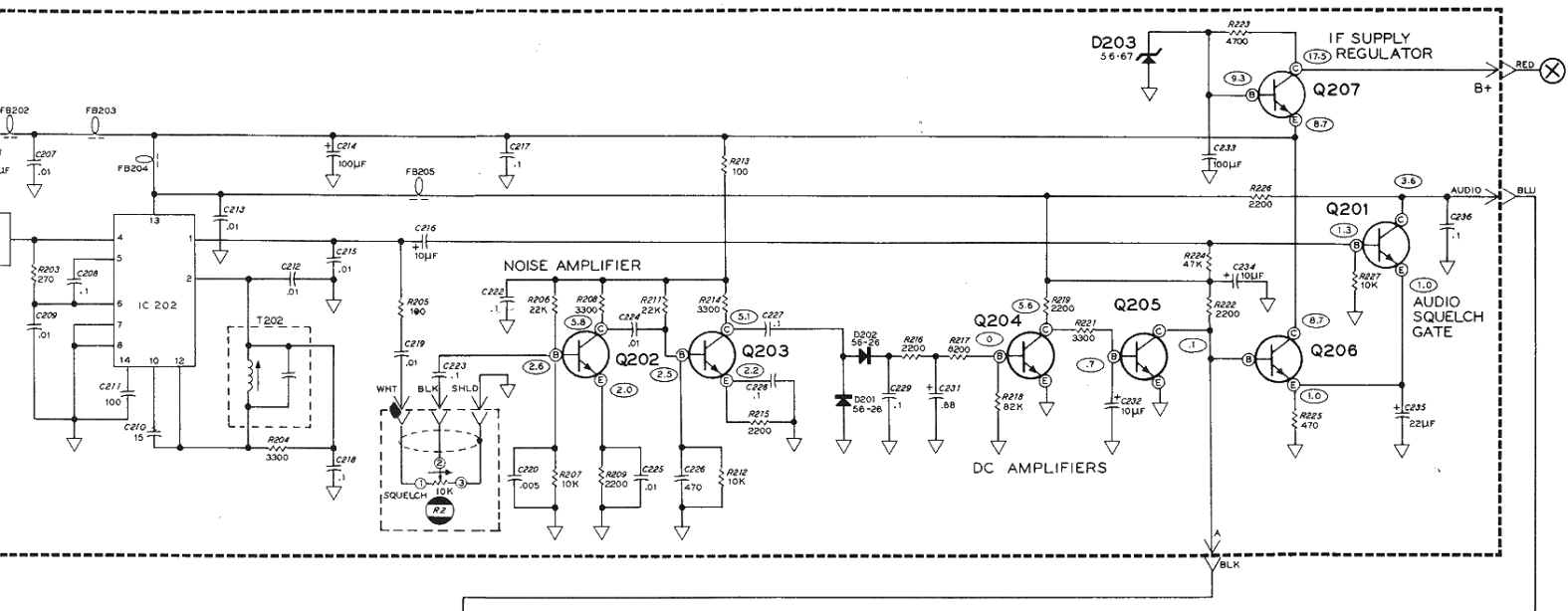


IF CIRCUIT BOARD





## SCHEMATIC OF THE HEATHKIT® MODEL GR-110 VHF SCANNING MONITOR

**NOTES:**

1. RESISTOR AND CAPACITOR NUMBERS ARE IN THE FOLLOWING GROUPS:  
 0-99 PARTS ON CHASSIS  
 100-199 PARTS ON THE SCAN CIRCUIT BOARD  
 200-299 PARTS ON THE IF CIRCUIT BOARD  
 300-399 PARTS ON THE AUDIO CIRCUIT BOARD
2. THIS SYMBOL AROUND A PART NUMBER MEANS THAT THIS COMPONENT IS MOUNTED ON THE CHASSIS, THOUGH ITS LOCATION ON THE SCHEMATIC SUGGESTS ANOTHER LOCATION.
3. ALL RESISTORS ARE 1/2 WATT. RESISTOR VALUES ARE IN OHMS; K = 1000.
4. CAPACITORS LESS THAN 1 ARE IN µF (MICROFARADS). ALL OTHER CAPACITORS ARE IN pF (PICOFARADS) UNLESS OTHERWISE MARKED.
5. THIS SYMBOL INDICATES A POSITIVE DC VOLTAGE MEASUREMENT TAKEN WITH AN 11 MEGOHM VTVM, FROM THE POINT INDICATED TO CHASSIS GROUND. SQUELCH CONTROL FULL CLOCKWISE. REFER TO THE VOLTAGE CHARTS ON PAGES 79 AND 80 FOR MEASUREMENTS UNDER OTHER CONDITIONS. VOLTAGES MAY VARY ±20%.
6. VOLTAGES MARKED WITH AN ASTERISK (\*) MAY VARY BETWEEN .8 AND 1.8 VOLTS.
7. THIS SYMBOL INDICATES A COMMON B+ CONNECTION.
8. THIS SYMBOL INDICATES A CIRCUIT BOARD GROUND.
9. THIS SYMBOL INDICATES A CHASSIS GROUND.
10. THIS SYMBOL INDICATES A CIRCUIT BOARD GROUND THROUGH A SHIELD LEAD.
11. ARROWS AT CONTROLS INDICATE CLOCKWISE ROTATION, VIEWED FROM THE SHAFT END OF THE CONTROL.
12. REFER TO THE CHASSIS PHOTOGRAPHS AND CIRCUIT BOARD X-RAY VIEWS FOR THE PHYSICAL LOCATION OF PARTS.