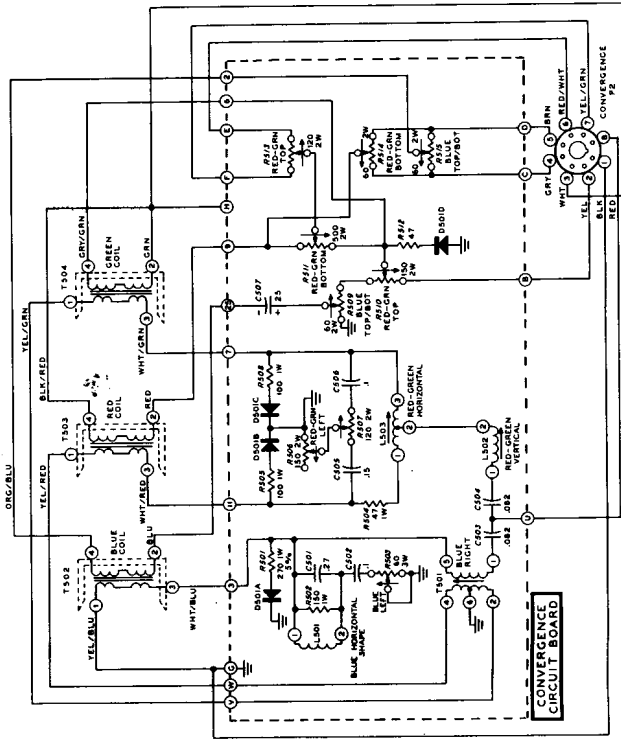
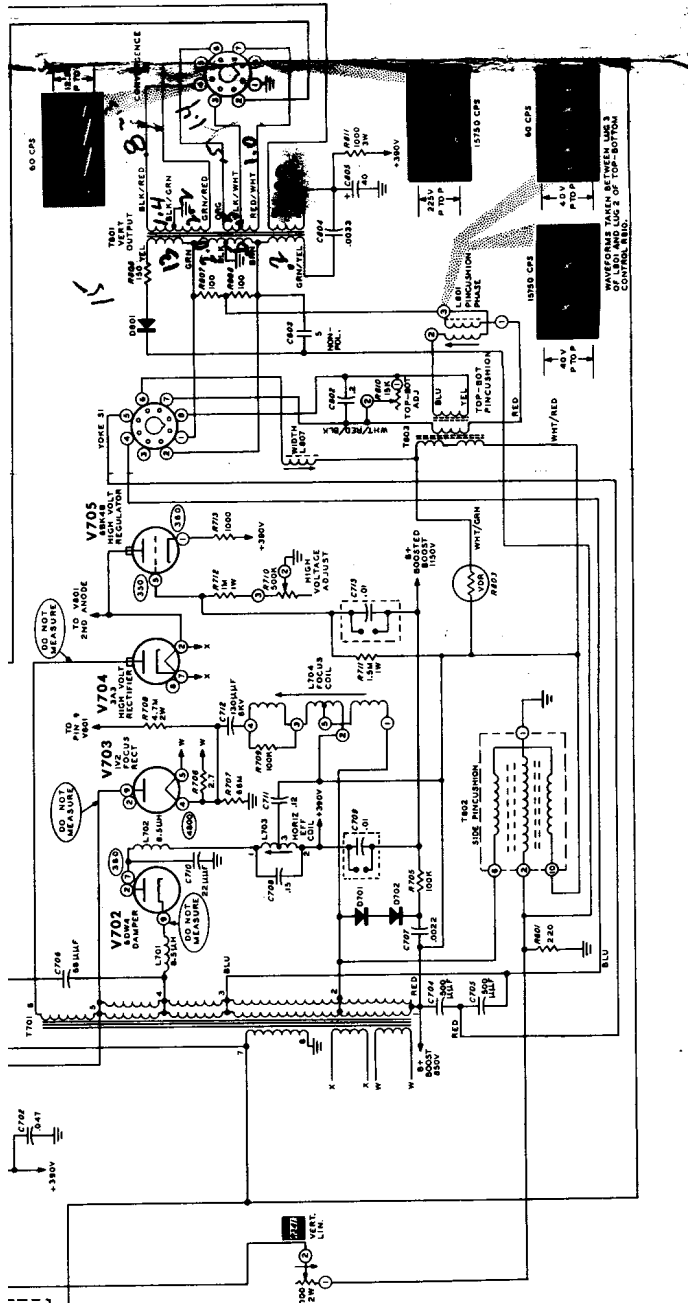
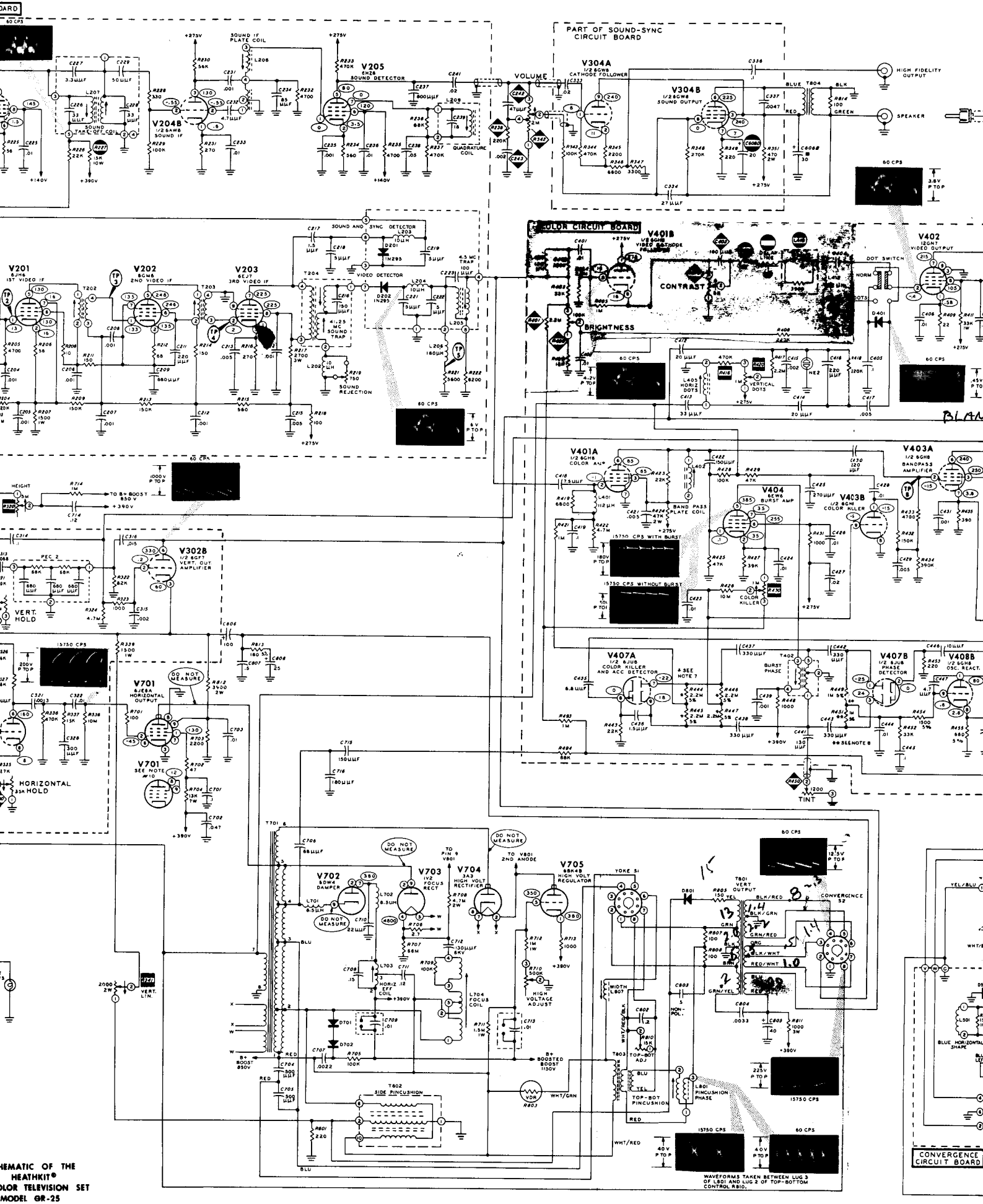


- NOTES:**
- THE CIRCUIT PART NUMBERS FOR THE COMPONENTS ARE IN THE FOLLOWING GROUPS:
 - 0-99 PARTS IN UHF TUNER.
 - 100-199 PARTS IN VHF TUNER.
 - 200-299 PARTS ON IF CIRCUIT BOARD.
 - 300-399 PARTS ON SOUND-SYNC CIRCUIT BOARD.
 - 400-499 PARTS ON COLOR CIRCUIT BOARD.
 - 500-599 PARTS ON CONVERGENCE CIRCUIT BOARD.
 - 600-699 PARTS IN LOW VOLTAGE POWER SUPPLY (MOUNTED ON CHASSIS).
 - 700-799 PARTS ON HORIZONTAL OUTPUT ASSEMBLY.
 - 800-899 PARTS MOUNTED ON CHASSIS.
 - A SYMBOL AROUND A PART NUMBER MEANS THAT THIS PART IS MOUNTED AT A LOCATION OTHER THAN INDICATED BY THE PART NUMBER.
 - PARTS MOUNTED ON THE CHASSIS.
 - ◇ PARTS MOUNTED ON THE TUNER BRACKET.
 - PARTS MOUNTED ON THE CONVERGENCE BRACKET.

- ALL RESISTORS ARE 1/2 WATT UNLESS MARKED OTHERWISE. RESISTOR VALUES ARE IN OHMS | K = 1,000, M = 1,000,000.
- ALL CAPACITOR VALUES ARE IN μM UNLESS MARKED OTHERWISE.
- THIS SYMBOL INDICATES A DC VOLTAGE MEASUREMENT, TAKEN WITH AN 11 MEGOHM VTVM, FROM THE POINT INDICATED TO CHASSIS GROUND. VOLTAGES ARE POSITIVE UNLESS INDICATED OTHERWISE. VOLTAGES MAY VARY ±10%.
- VOLTAGE MEASUREMENTS WERE MADE WITH NO SIGNAL INPUT AND AT 120 V AC LINE VOLTAGE.
- ARROW | → INDICATES CLOCKWISE ROTATION OF CONTROLS.
- THE 2.2 MEGOHM RESISTORS R464, R465, R466 AND R467 ARE MATCHED LOW-NOISE RESISTORS.
- THE 1 MEGOHM RESISTORS R469 AND R470 ARE MATCHED LOW-NOISE RESISTORS.
- WA FORMS WERE TAKEN USING HEATH COLOR BAR AND DOT GENERATOR.
- ALTERNATE WIRING OF SOCKET V701 TO REDUCE BARKHAUSEN INTERFERENCE. REFER TO TROUBLESHOOTING CHART, FIGURE 2-38 ON PAGE 110.
- REFER TO THE CHASSIS PHOTOGRAPHS AND CIRCUIT BOARD X-RAY VIEWS FOR THE PHYSICAL LOCATION OF PARTS.

SCHEMATIC OF THE HEATHKIT® 25" COLOR TELEVISION SET MODEL GR-25

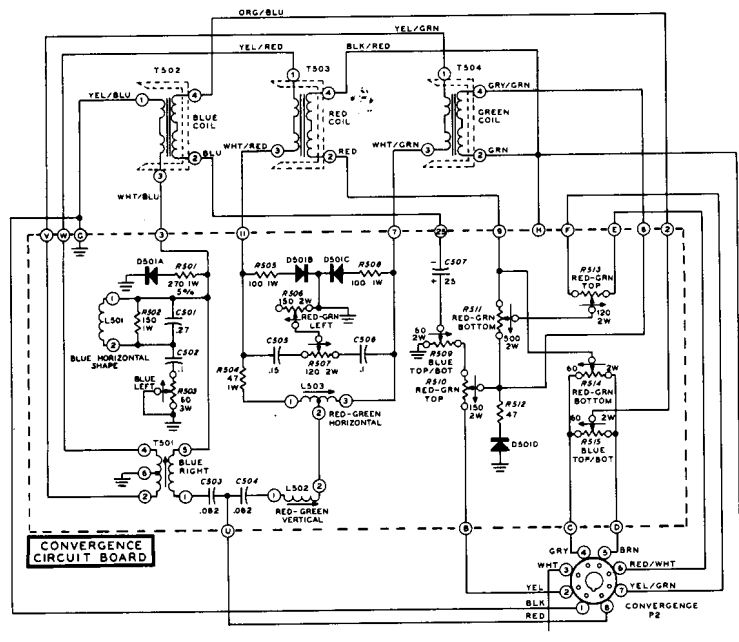
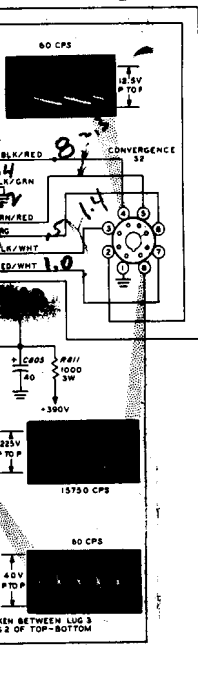
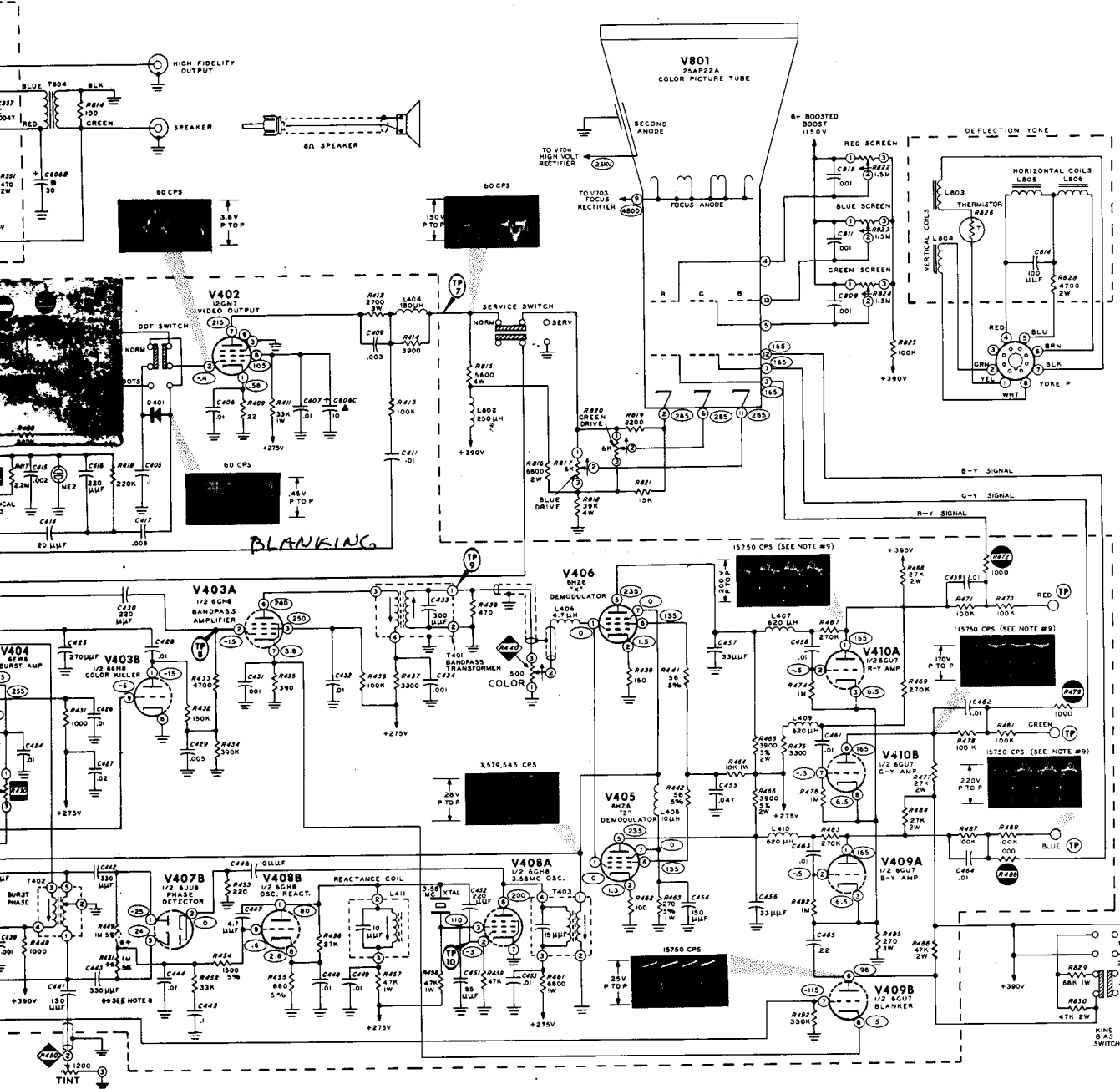




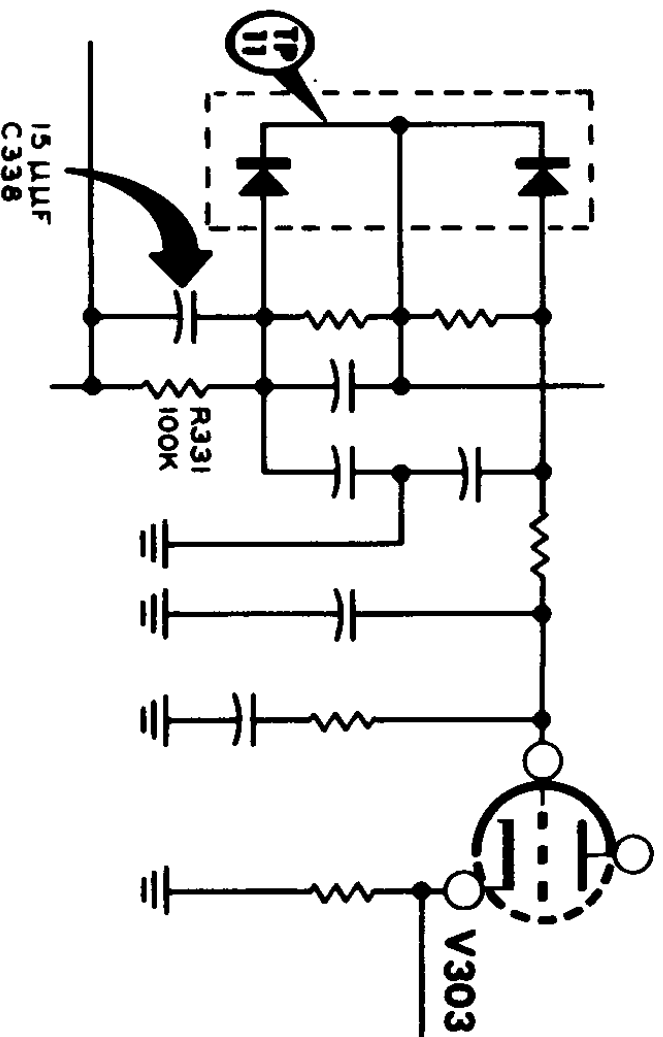
SCHEMATIC OF THE HEATHKIT® COLOR TELEVISION SET MODEL GR-25

CONVERGENCE CIRCUIT BOARD

WAVEFORMS TAKEN BETWEEN LUG 3 OF L801 AND LUG 2 OF TOP-BOTTOM CONTROL REG.



Page 175 - Locate resistor R331 on the fold-out Schematic. This resistor is to the left of and just below horizontal oscillator tube V303. Draw a 15 μ f capacitor in parallel with this resistor as shown below. This change and the following change should also be made on the large fold-in schematic.



Tape the following schematic section in place near V401B on the fold-out Schematic (Page 175). Be sure to match up the connecting lines.

