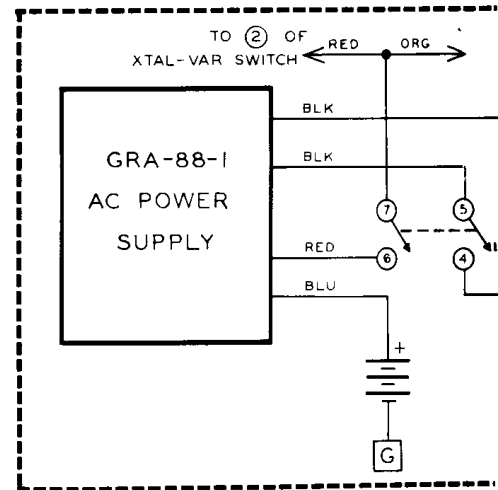
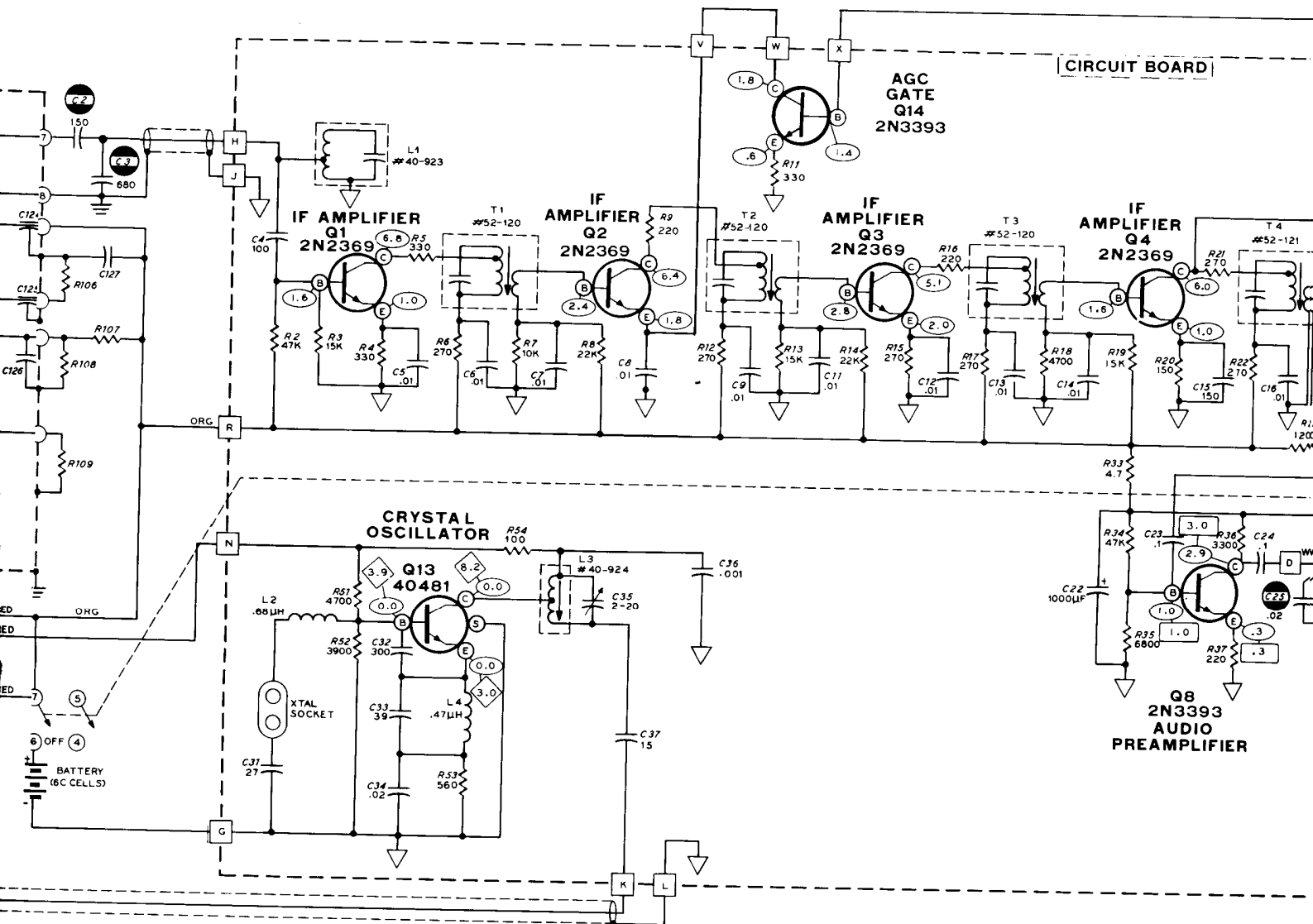


HEATH PART NO.	MANUFACTURER AND TYPE NO.	BASING
417-118	G E 2N3393	
417-121	AMPEREX 2N2430	
417-122	AMPEREX 2N2431	
417-154	G E 2N2369	
417-190	R C A 40481	
417-201	G E X29A829	
417-169	MOTOROLA MPF 105	





NOTES:

- 1 ALL RESISTOR VALUES ARE IN OHMS: K=1000.
- 2 ALL RESISTORS ARE 1/2 WATT.
- 3 ALL CAPACITOR VALUES LESS THAN 1 ARE IN μ F. VALUES OF 1 AND ABOVE ARE IN pF UNLESS MARKED OTHERWISE.
- 4 DC VOLTAGE MEASUREMENTS ARE TAKEN WITH A HIGH IMPEDANCE VOLTMMETER FROM THE POINT INDICATED TO CHASSIS GROUND.

○ THIS SYMBOL INDICATES A MEASUREMENT TAKEN WITH THE SQUELCH CONTROL FULLY COUNTERCLOCKWISE.

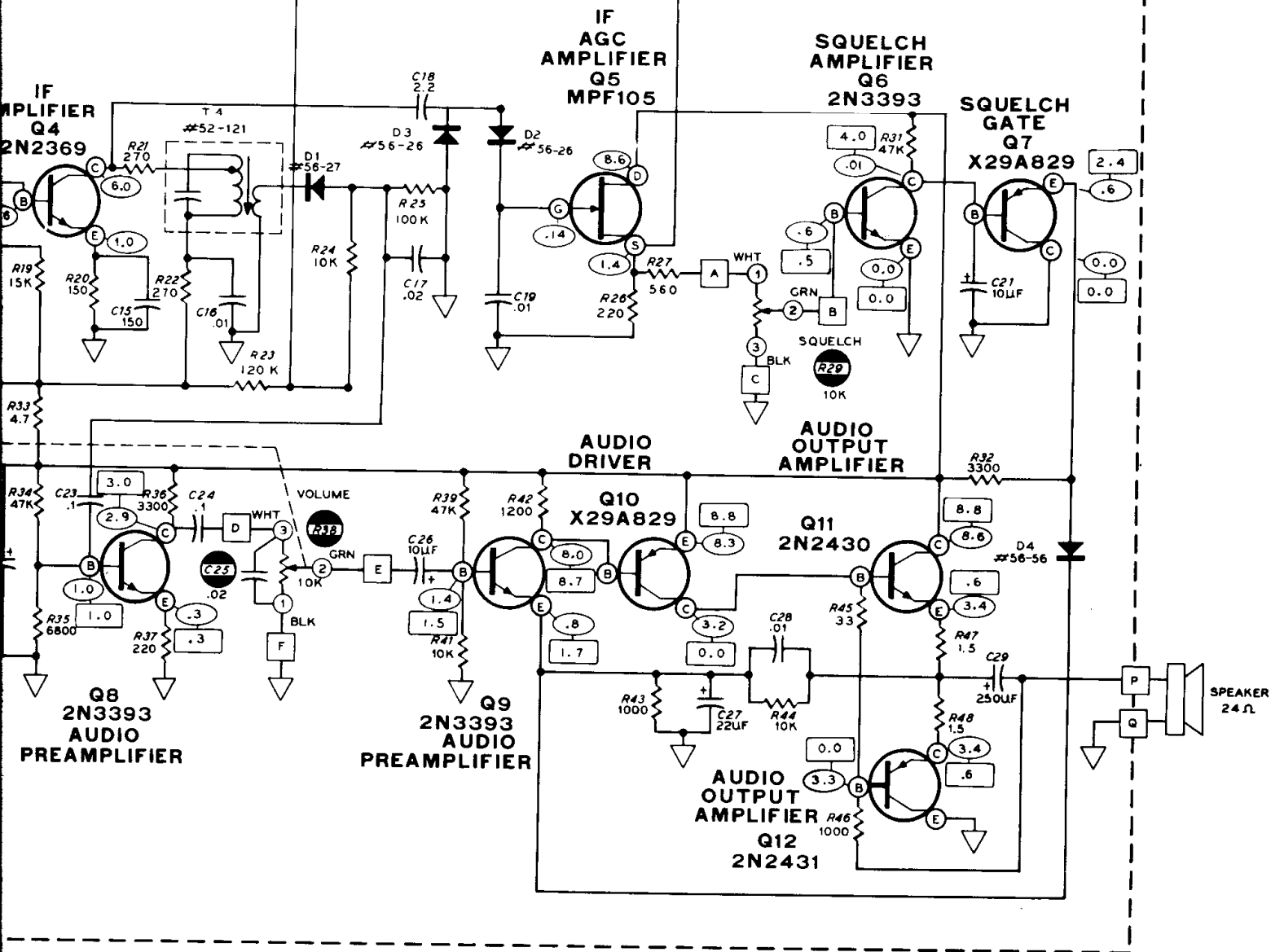
□ THIS SYMBOL INDICATES A MEASUREMENT TAKEN WITH SQUELCH CONTROL AT THE THRESHOLD (SEE SQUELCH IN FIG. 1).

◇ THIS SYMBOL INDICATES A MEASUREMENT TAKEN UNDER THE FOLLOWING CONDITIONS:

WITH OSC SWITCH IN THE XTAL POSITION
A CRYSTAL IN THE CRYSTAL SOCKET,
AND NO SIGNAL INPUT.

- 5 SELECTOR SWITCH IS SHOWN IN V
- 6 ▽ INDICATES CIRCUIT BOARD GR
- 7 ≡ INDICATES CHASSIS GROUND.
- 8 ○ INDICATES TUNER CONNECTION
- 9 □ INDICATES CIRCUIT BOARD COI
- 10 ◐ INDICATES PARTS MOUNTED ON
- 11 RESISTORS AND CAPACITORS ARE IN
1-99 CHASSIS AND
100-199 AM TUNER PA

CIRCUIT BOARD



SWITCH IS SHOWN IN VARIABLE POSITION.

ATES CIRCUIT BOARD GROUND.

ATES CHASSIS GROUND.

ATES TUNER CONNECTION.

ATES CIRCUIT BOARD CONNECTION.

ATES PARTS MOUNTED ON THE CHASSIS.

AND CAPACITORS ARE IN THE FOLLOWING GROUPS:
99 CHASSIS AND CIRCUIT BOARD PARTS.
199 AM TUNER PARTS

**SCHEMATIC OF THE
HEATHKIT®
AIRCRAFT VHF MONITOR RECEIVER
MODEL GR-98**