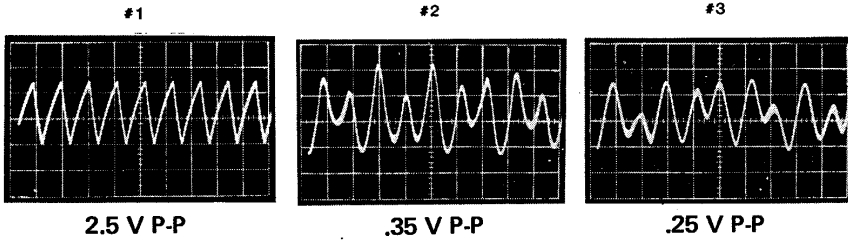


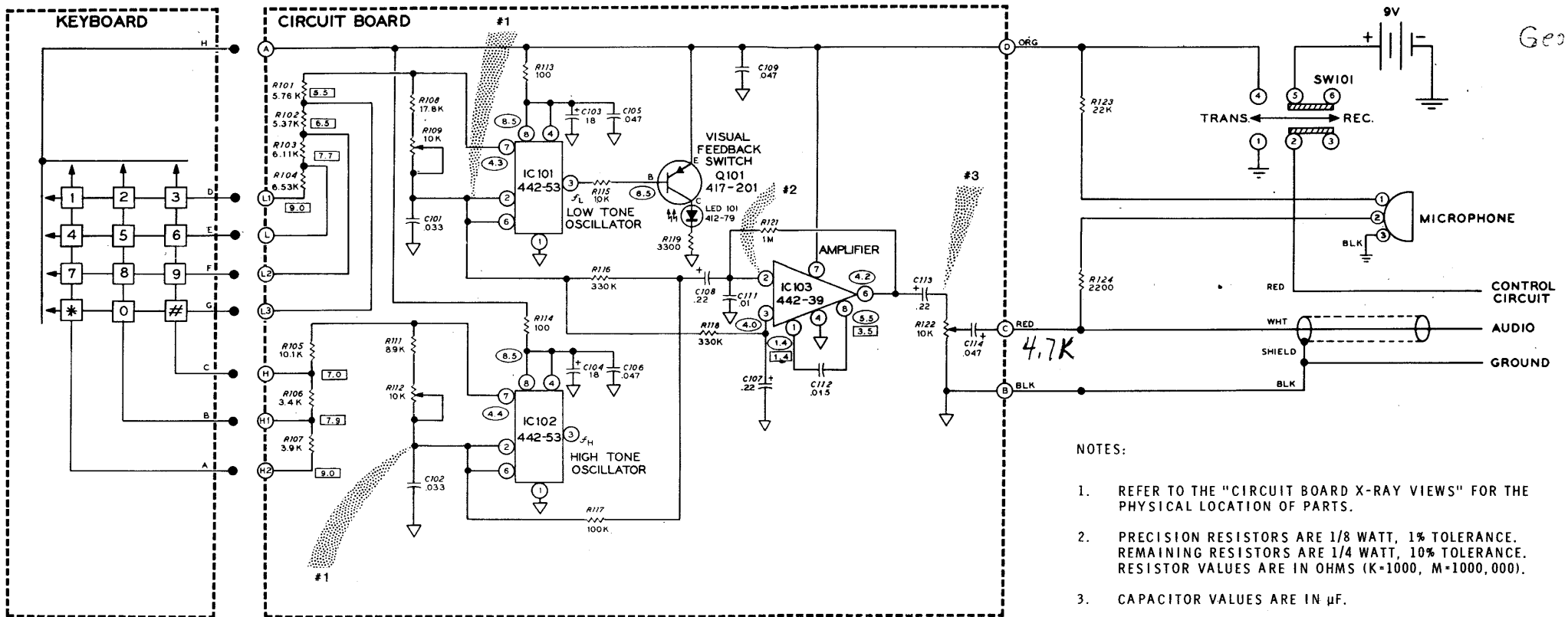
WAVEFORMS



2.5 V P-P

.35 V P-P

.25 V P-P



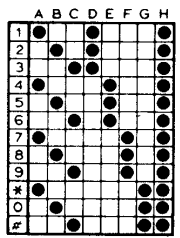
George

NOTES:

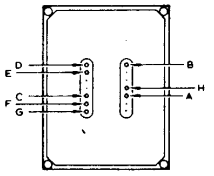
- REFER TO THE "CIRCUIT BOARD X-RAY VIEWS" FOR THE PHYSICAL LOCATION OF PARTS.
- PRECISION RESISTORS ARE 1/8 WATT, 1% TOLERANCE. REMAINING RESISTORS ARE 1/4 WATT, 10% TOLERANCE. RESISTOR VALUES ARE IN OHMS (K=1000, M=1000,000).
- CAPACITOR VALUES ARE IN μ F.
- DC VOLTAGE MEASUREMENTS WERE TAKEN WITH A HIGH INPUT IMPEDANCE VOLTMETER FROM THE POINT INDICATED TO CIRCUIT BOARD GROUND. VOLTAGES MAY VARY $\pm 10\%$.
- THIS SYMBOL INDICATES A DC VOLTAGE WITH NO TONE BEING PRODUCED, BUT PTT SWITCH SW101 DEPRESSED.
- THIS SYMBOL INDICATES A DC VOLTAGE WITH KEY "1" PUSHED AND PTT SWITCH SW101 DEPRESSED.
- THIS SYMBOL INDICATES CIRCUIT BOARD GROUND.
- THIS SYMBOL INDICATES A CONNECTION TO THE CIRCUIT BOARD.
- THE WAVEFORMS SHOWN WERE OBTAINED BY PUSHING KEY "1" WITH PTT SWITCH SW101 DEPRESSED.

SCHMATIC OF THE HEATHKIT® MICODER™ MODEL HD-1982

Copyright © 1976
Heath Company
All Rights Reserved



INDICATES TERMINAL SHORTED TO COMMON WHEN KEY IS DEPRESSED
TERMINAL H IS COMMON



IDENTIFICATION OF KEYBOARD PINS

Low Tone (Hz)	High Tone (Hz)		
	1209	1336	1477
697	1	2	3
770	4	5	6
852	7	8	9
941	.	0	∞

TWO-TONE OUTPUT FREQUENCIES FROM THE MICODER™