

SCHEMATIC OF THE HEATHKIT® TERMINAL NODE CONTROLLER MODEL HD-4040

RESISTORS ARE 1/4-WATT, 5% AND ARE MARKED IN OHMS (M-1,000,000).

CAPACITORS ARE IN μ F (MICROFARADS) UNLESS STATED OTHERWISE.

--- INDICATES A WIRE CONNECTION ON THE CIRCUIT BOARD.

--- INDICATES CHASSIS GROUND.

--- INDICATES CIRCUIT BOARD GROUND.

--- INDICATES A FEMALE (SOCKET) CONNECTION.

--- INDICATES A MALE (PLUG) CONNECTION.

--- INDICATES A CONNECTION POINT.

--- INDICATES A NO CONNECTION POINT.

--- INDICATES SOCKET AND PIN NUMBER.

NUMBERS SUCH AS (1) OR 8 NEXT TO A COMPONENT INDICATES A QUANTITY.

--- INDICATES 16 PIN PLUG.

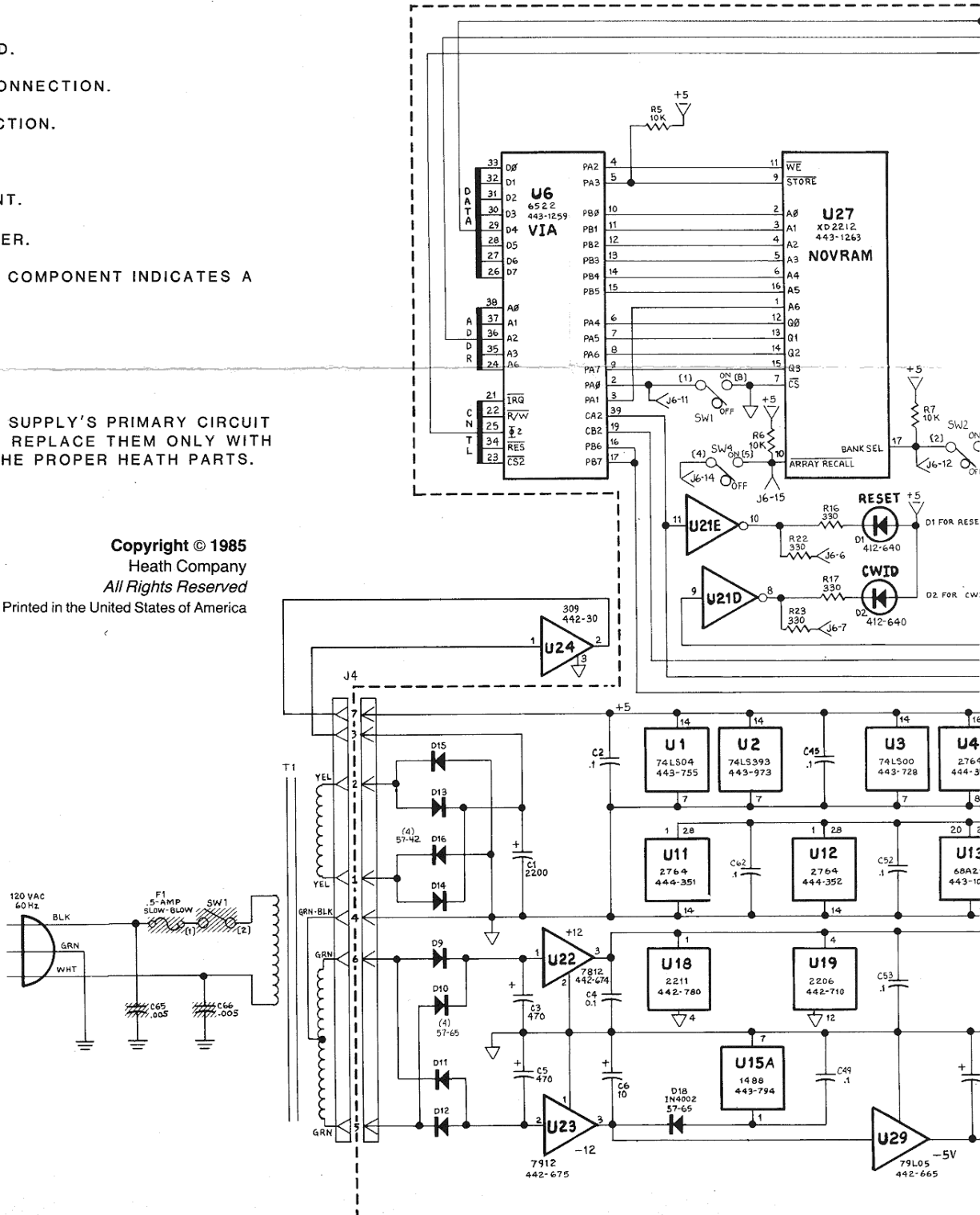
--- INDICATES 16 PIN PLUG.

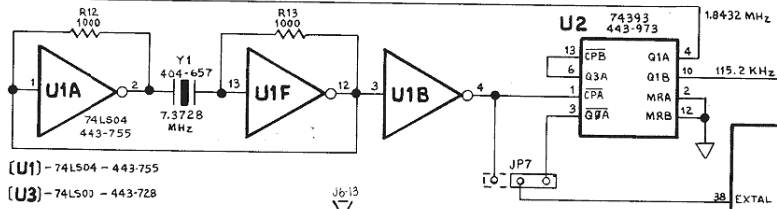
--- INDICATES 14 PIN PLUG.

SHADED AREAS IN THE POWER SUPPLY'S PRIMARY CIRCUIT ARE DANGEROUS FOR CONTINUED SAFETY. REPLACE THEM ONLY WITH THE SAME RATING OR WITH THE PROPER HEATH PARTS.

6-3334-01

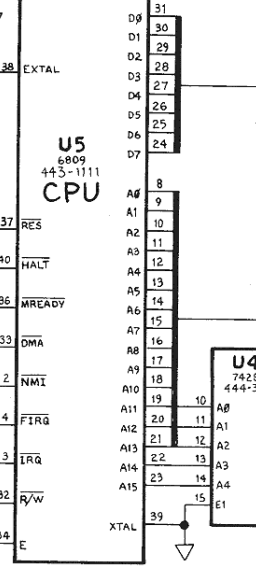
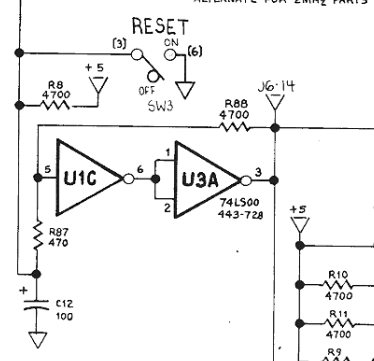
Copyright © 1985
Heath Company
All Rights Reserved
Printed in the United States of America



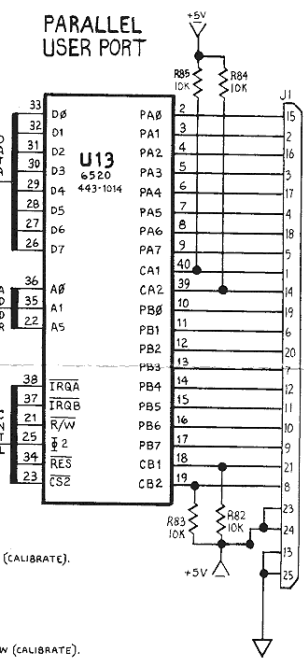


(U1) - 74LS04 - 443-755
(U3) - 74LS04 - 443-728

SYSTEM CLOCK



PARALLEL USER PORT



SERIAL USER PORT

