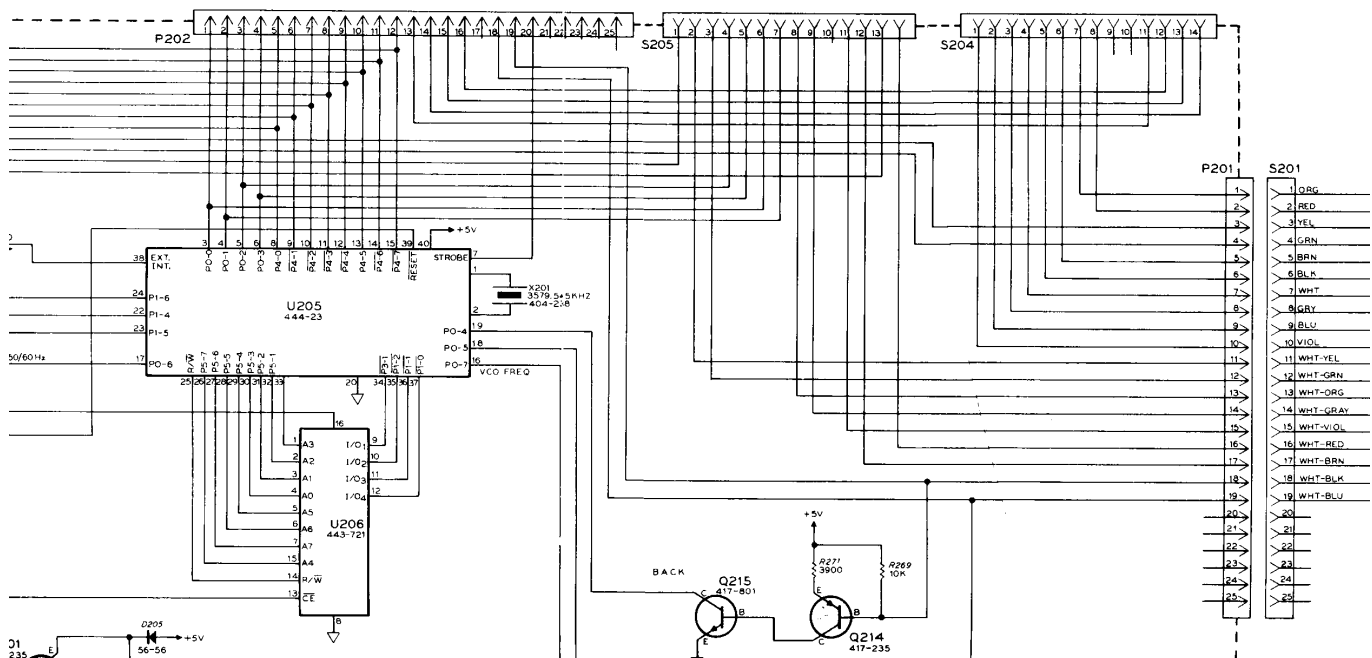
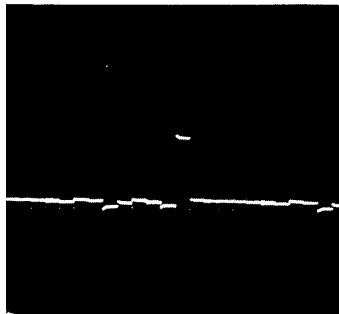


DISPLAY CIRCUIT BOARD

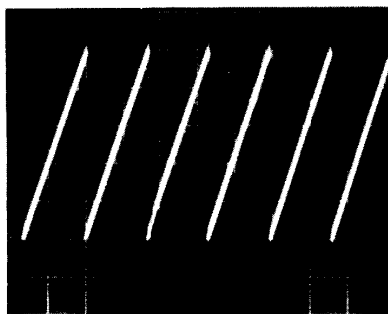


# WAVEFORMS

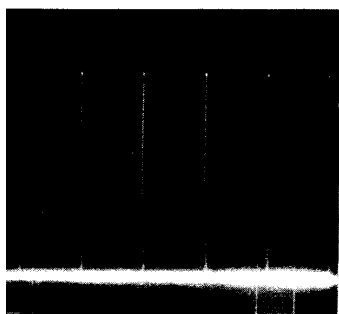
1 1V/DIVISION



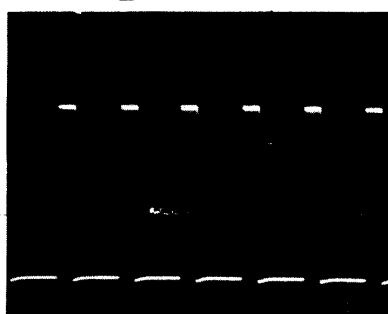
2 1V/DIVISION  
2msec/Div



3 5V/DIVISION



4 1V/DIVISION



## SCHEMATIC OF THE HEATHKIT® DIGITAL WEATHER COMPUTER MODEL ID-4001

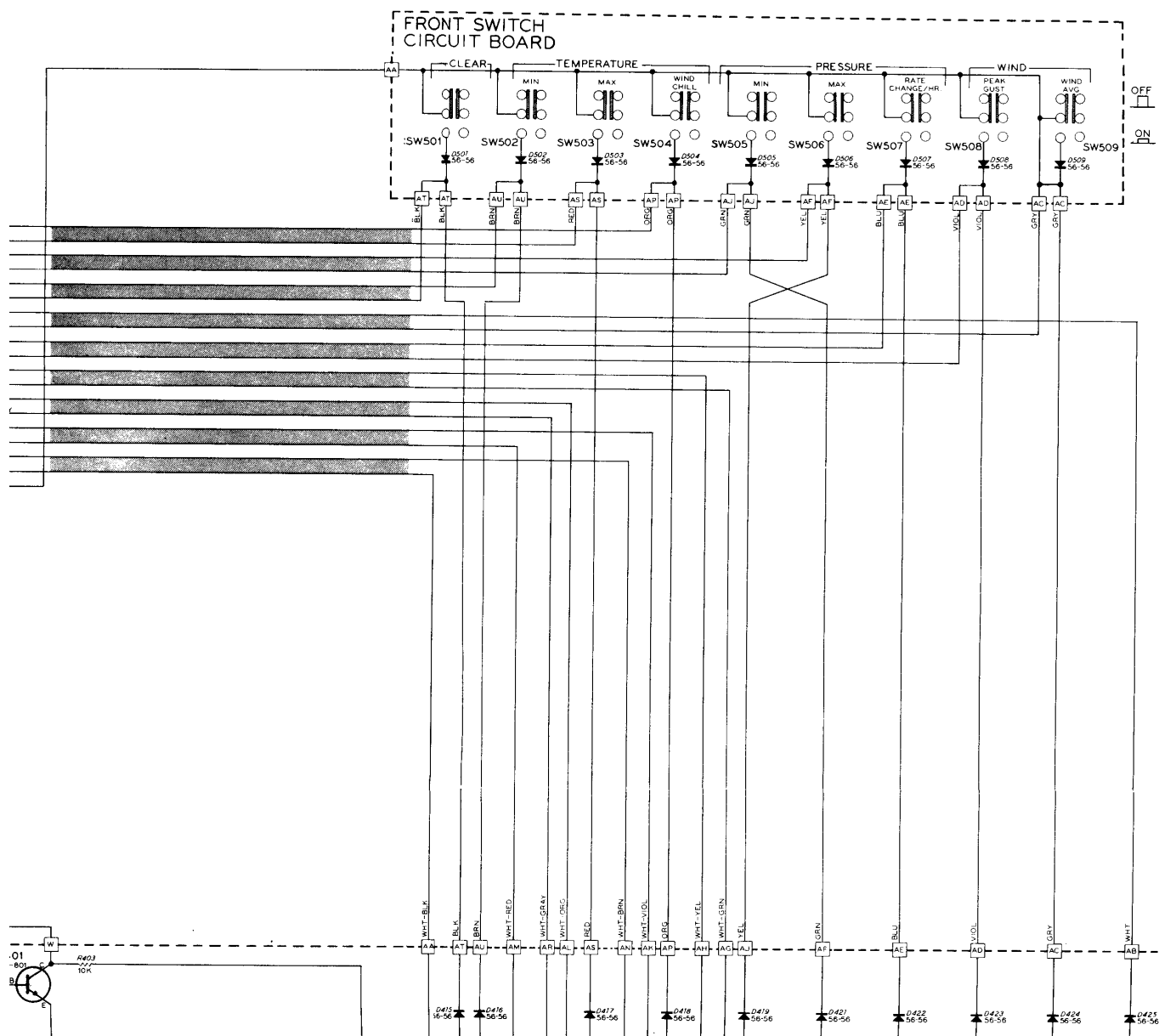
Copyright © 1978  
Heath Company  
All Rights Reserved

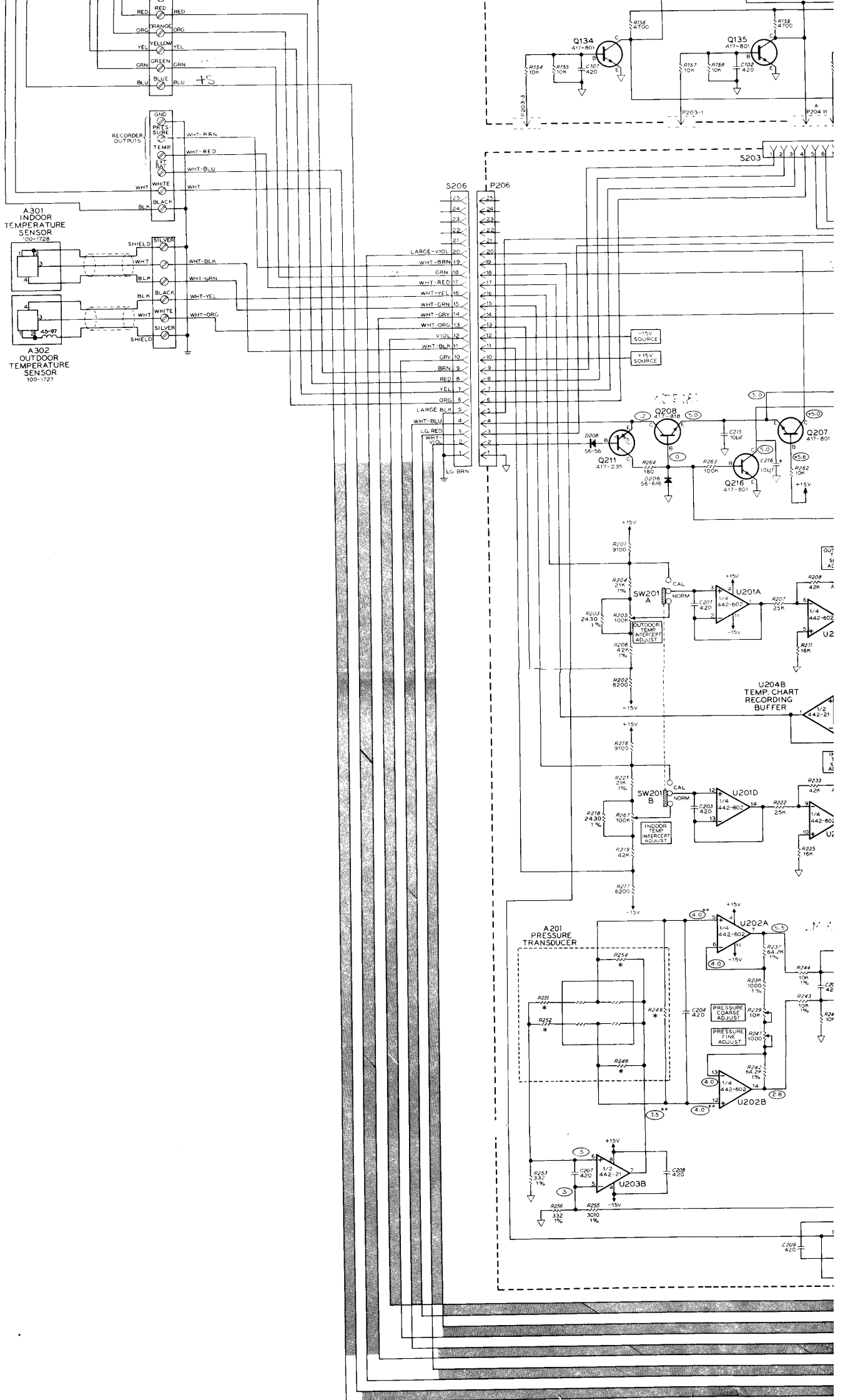
Part of 595-2185-01

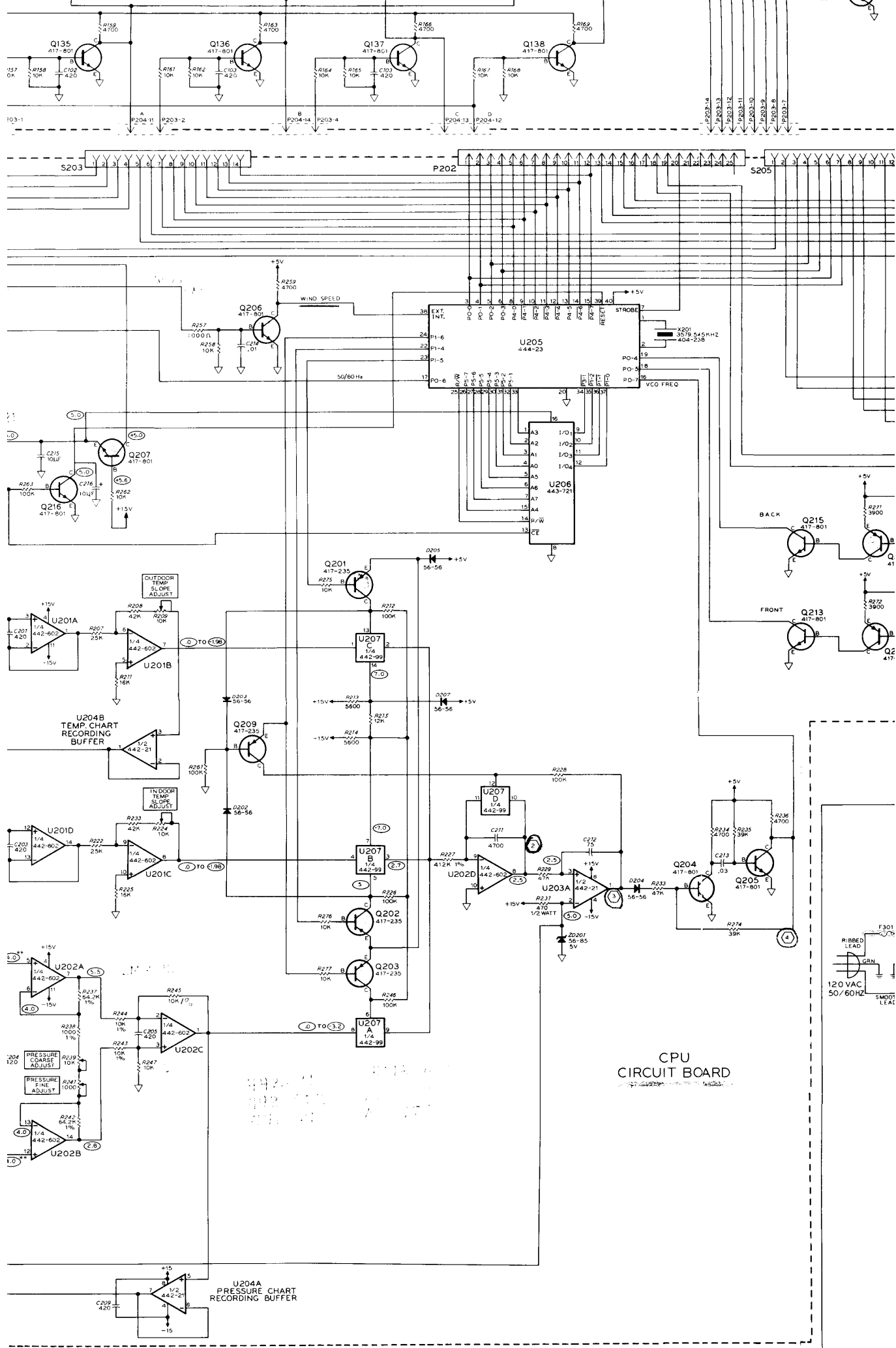
Printed in the United States of America

### NOTES:

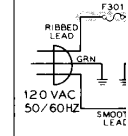
- COMPONENTS ON THE CIRCUIT BOARDS AND CHASSIS ARE IN THE FOLLOWING GROUPS:  
101-199 DISPLAY CIRCUIT BOARD.  
201-299 CPU CIRCUIT BOARD.  
301-350 FRONT PANEL/ CHASSIS.  
401-450 BACK PANEL/ POWER SUPPLY CIRCUIT BOARD.  
501-550 FRONT PANEL CIRCUIT BOARD.  
601-650 SENSOR CIRCUIT BOARDS.
- RESISTORS ARE 1/2 WATT 10%, UNLESS MARKED OTHERWISE. VALUES ARE IN OHMS ( K=1,000, M=1,000,000 ).
- CAPACITOR VALUES LESS THAN 1 ARE IN  $\mu$ F. CAPACITOR VALUES 1 OR ABOVE ARE IN  $\mu$ F UNLESS MARKED OTHERWISE.
- THIS SYMBOL INDICATES A DC VOLTAGE MEASURED FROM THE POINT INDICATED TO GROUND. MEASUREMENTS WERE MADE WITH A HIGH IMPEDANCE VOLTMETER.
- \*\* VOLTAGES SUBJECT TO CHANGE WITH PRESSURE TRANSDUCER VARIATIONS.
- ▽ THIS SYMBOL INDICATES A CIRCUIT BOARD GROUND.
- ≡ THIS SYMBOL INDICATES A CHASSIS GROUND.
- THIS SYMBOL INDICATES A PLUG-TO-SOCKET CONNECTION. THE NUMBER FOLLOWING THE PLUG NUMBERS INDICATES THE PARTICULAR PIN NUMBER. FOR EXAMPLE: P101-1 MEANS PLUG P101 PIN 1.
- THIS SYMBOL INDICATES A WAVEFORM DISPLAY AT THAT POINT. THE WAVEFORM FREQUENCY AND AMPLITUDE ARE SHOWN ON EACH DISPLAY.







CPU  
CIRCUIT BOARD

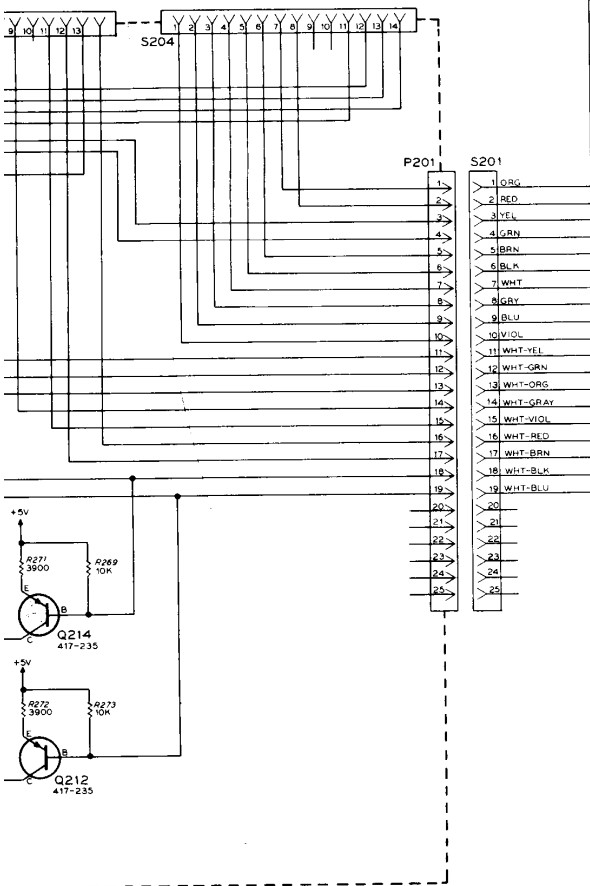


120 VAC  
50/60 HZ

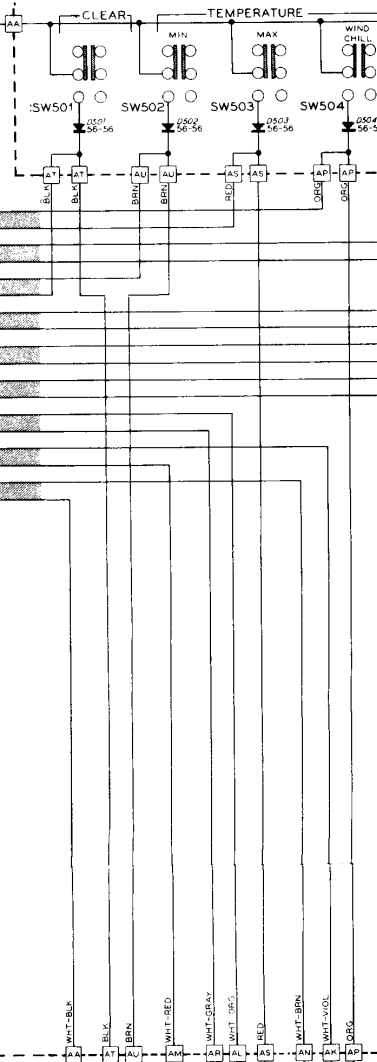
5V  
39K  
3900

RIBBED LEAD  
GRN  
SMOOTH LEAD

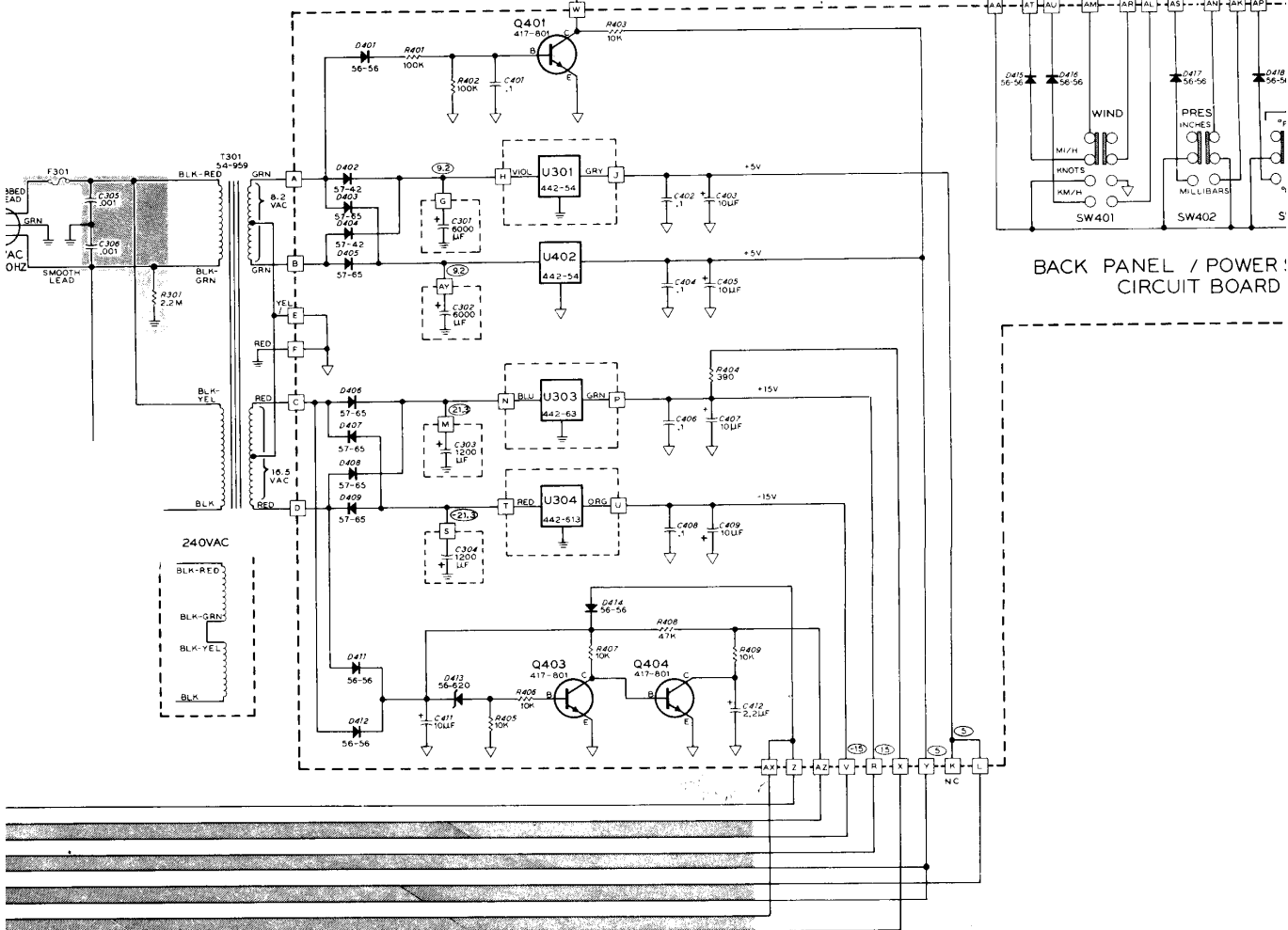
### DISPLAY CIRCUIT BOARD



### FRONT SWITCH CIRCUIT BOARD



### BACK PANEL / POWER CIRCUIT BOARD



8. → THIS SYMBOL INDICATES A PLUG-TO-SOCKET CONNECTION. THE NUMBER FOLLOWING THE PLUG NUMBERS INDICATES THE PARTICULAR PIN NUMBER. FOR EXAMPLE: P101-1 MEANS PLUG P101 PIN 1.

9. ○ THIS SYMBOL INDICATES A WAVEFORM DISPLAY AT THAT POINT. THE WAVEFORM FREQUENCY AND AMPLITUDE ARE SHOWN ON EACH DISPLAY.

