

**SCHEMATIC OF THE  
HEATHKIT®**

**AUDIO GENERATOR  
MODEL IG-5282**

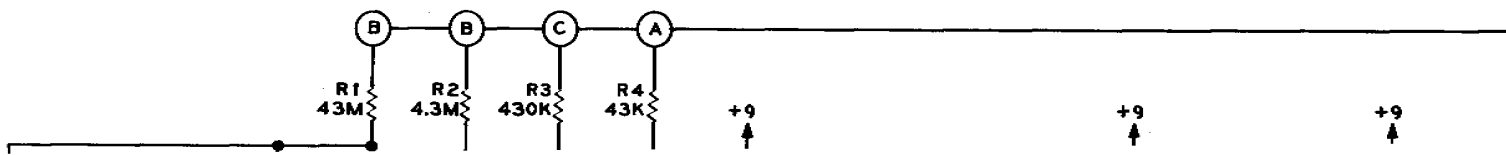
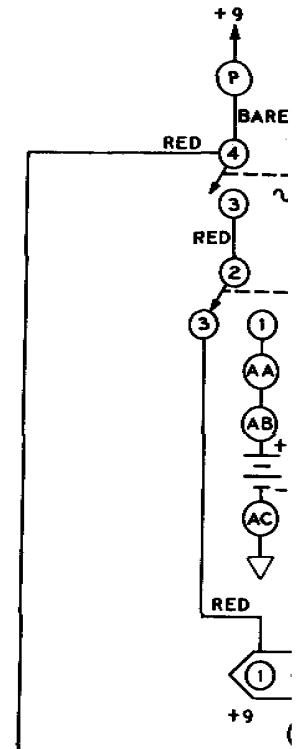
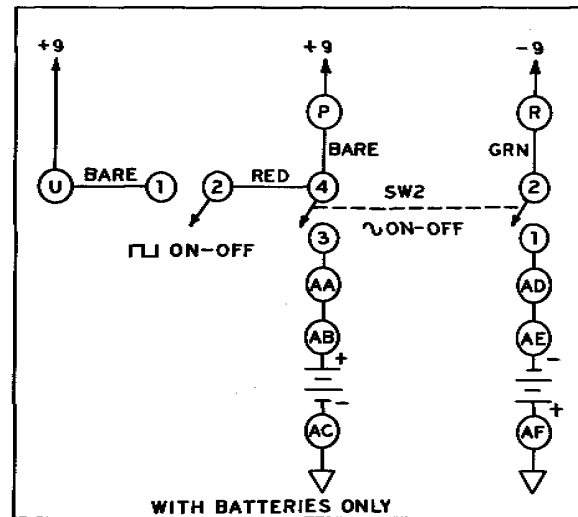
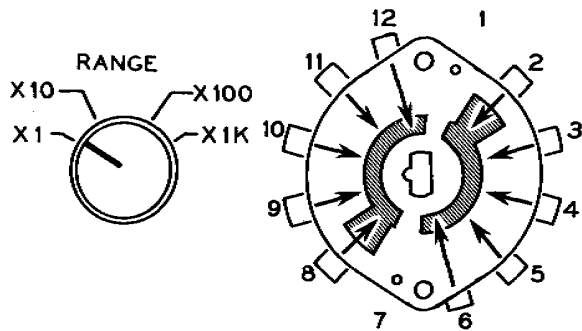
Part of 595-1959

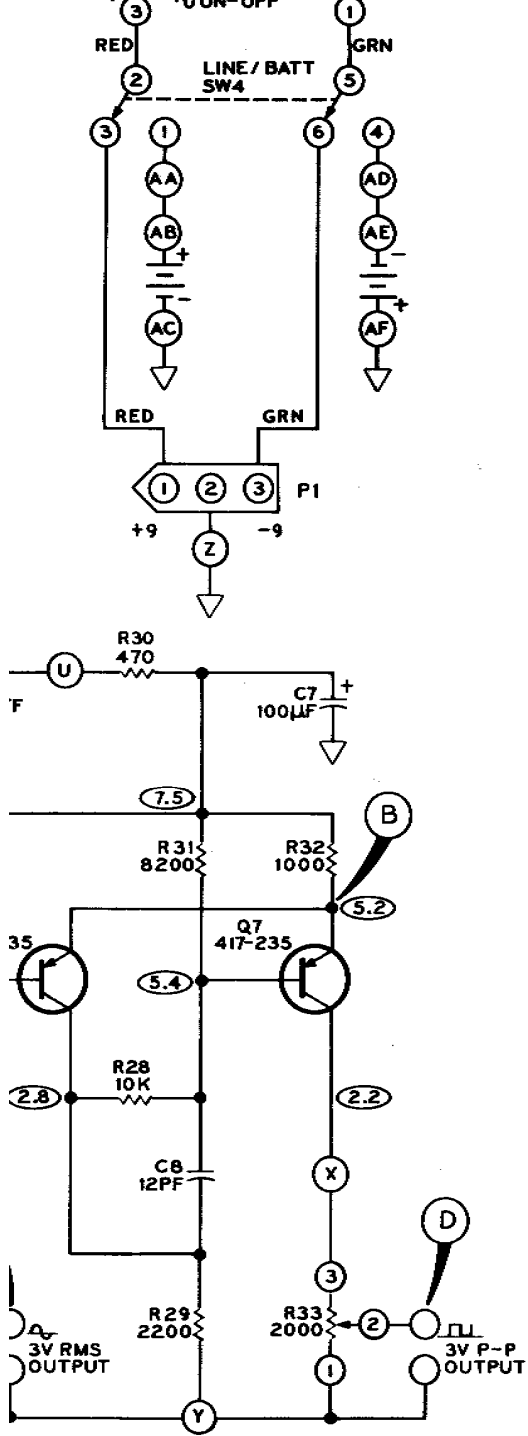
Copyright © 1977  
Heath Company  
All Rights Reserved  
Printed in the United States of America

NOTES:

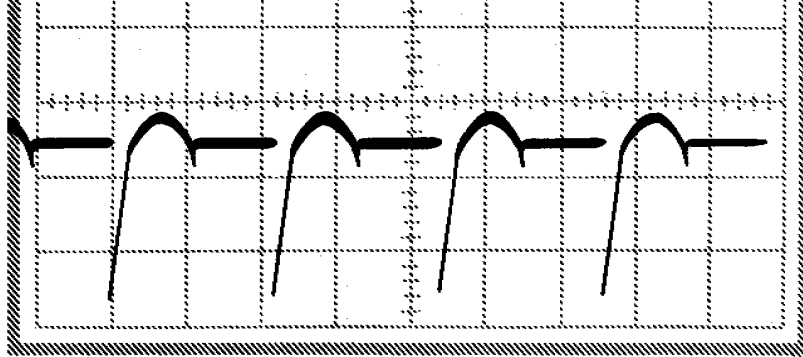
1. ALL RESISTORS ARE 1/2 WATT 5%.
2. ○ INDICATES A LETTERED WIRE CONNECTION TO A CIRCUIT BOARD.
3. ▽ INDICATES A CIRCUIT GROUND.

4. ○ INDICATES A DC POINT INDICATED TO
5. ALL VOLTAGES MEASURED WITH IMPEDANCE VOLTME
6. RANGE SWITCH IS SET



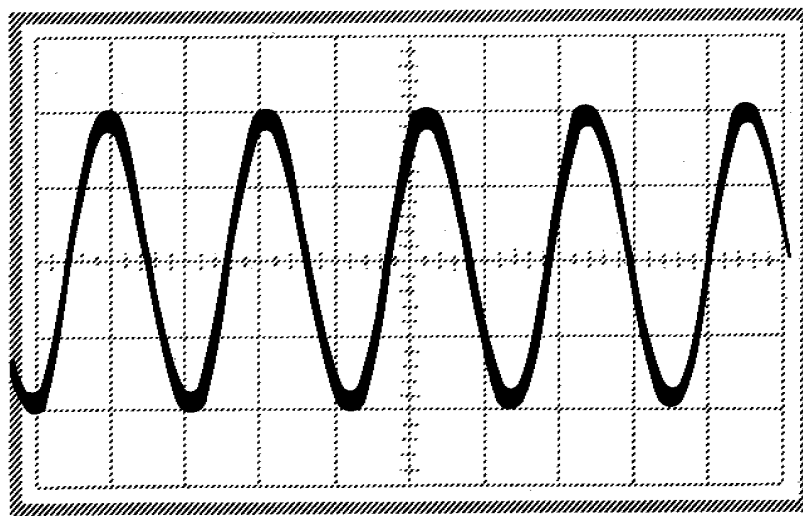


**B**



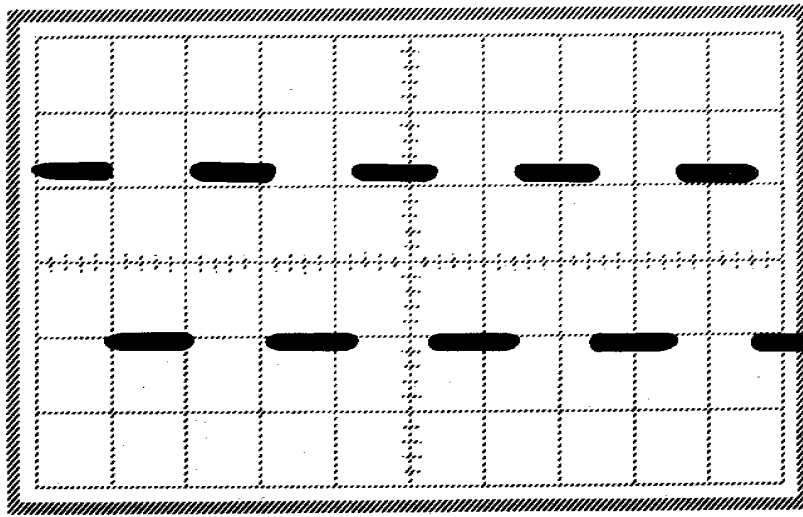
EMITTER OF Q6 & Q7  
 VERTICAL - .5V/CM  
 HORIZ - .5MSEC/CM

**C**



OUTPUT JACK  
 TUNING - MAX CC  
 RANGE - X100  
 VERTICAL - 2V/CM  
 HORIZ - .5MSEC/CM

**D**

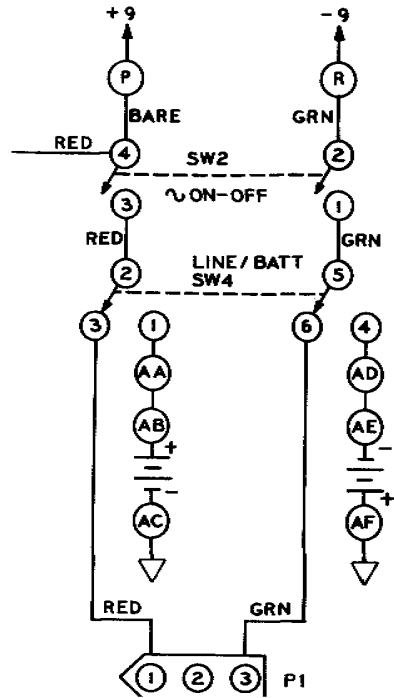


OUTPUT JACK  
 TUNING - MAX CC  
 RANGE - X 100  
 VERTICAL - 2V/CM  
 HORIZ - .5MSEC/CM

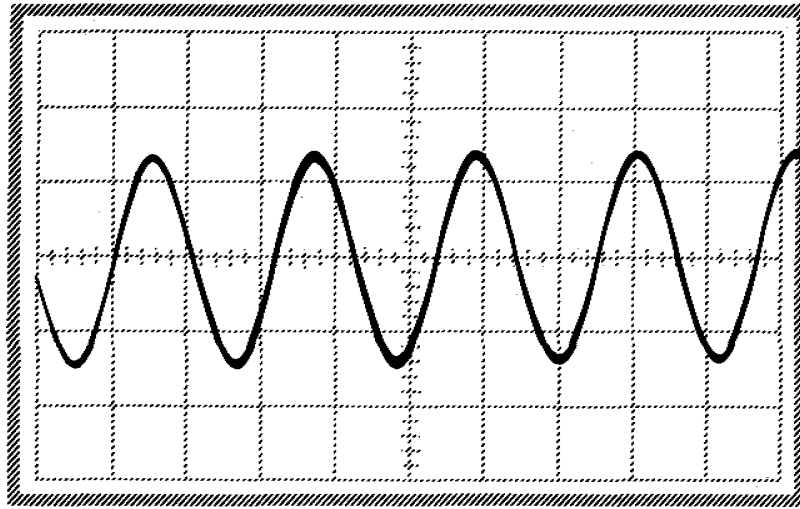
INDICATES A DC VOLTAGE MEASURED FROM  
INDICATED TO GROUND.

VOLTAGES MEASURED WITH HIGH INPUT  
IMPEDANCE VOLTMETER.

SWITCH IS SHOWN IN X1 POSITION (CCW).

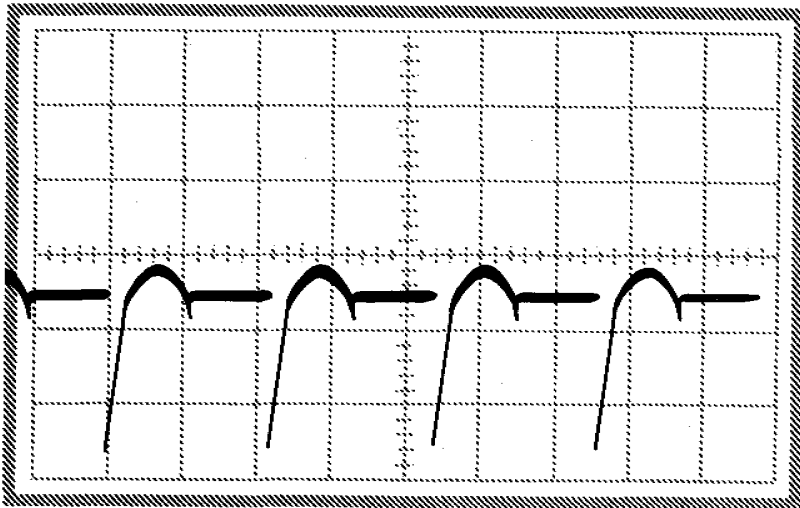


**A**



DRAIN OF Q1  
VERTICAL - .2V/CM  
HORIZ - .5MSEC/CM

**B**



EMITTER OF Q6 & Q7  
VERTICAL - .5V/CM  
HORIZ - .5MSEC/CM