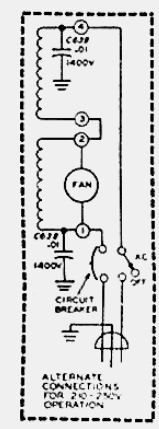
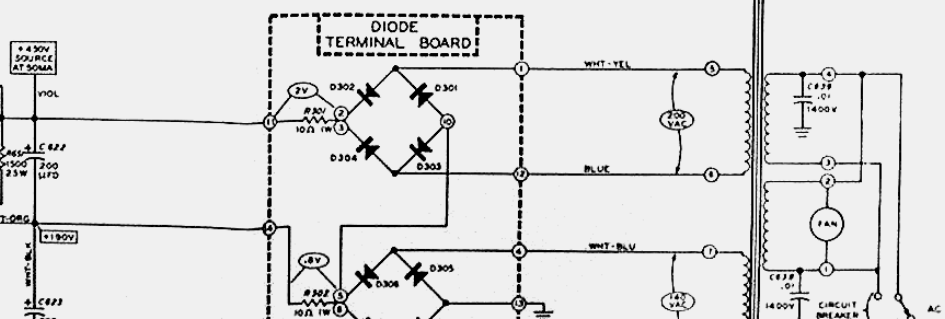
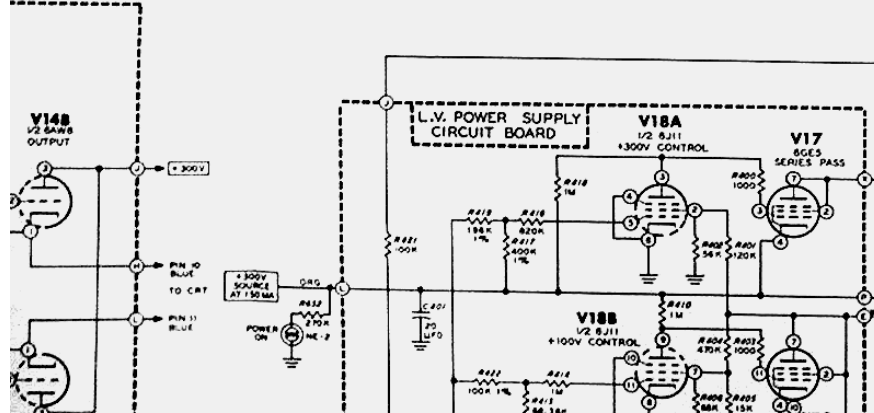
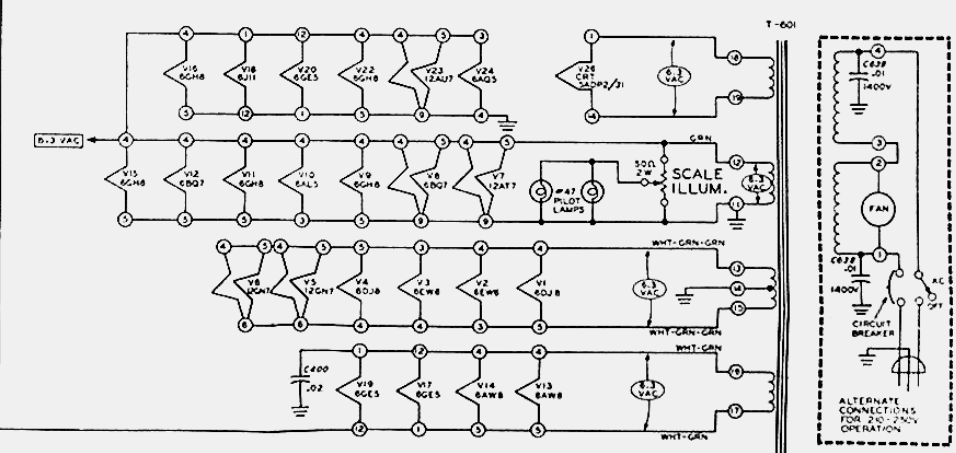
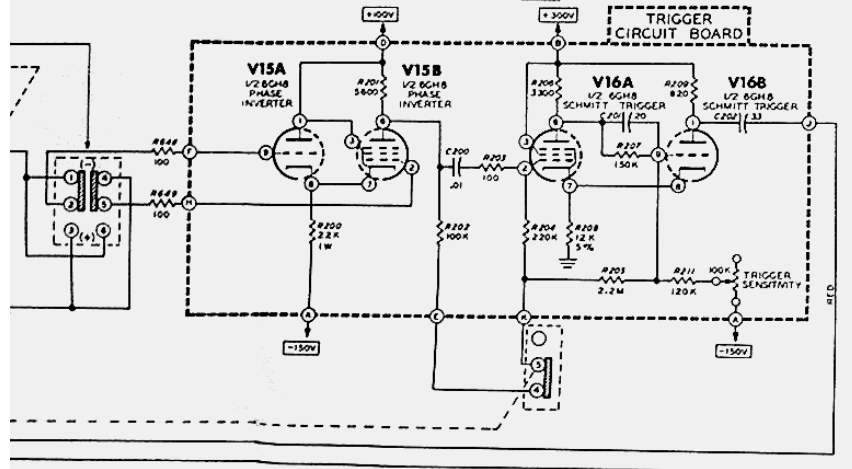
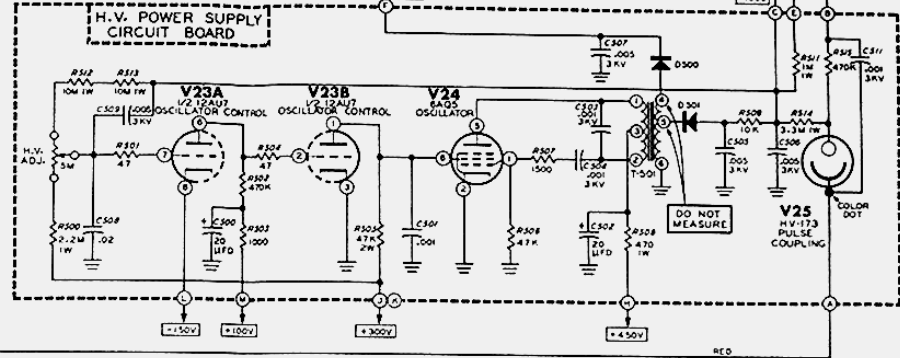
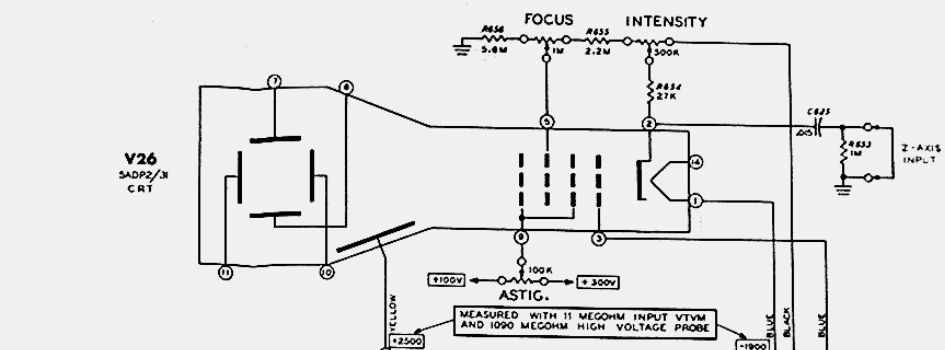
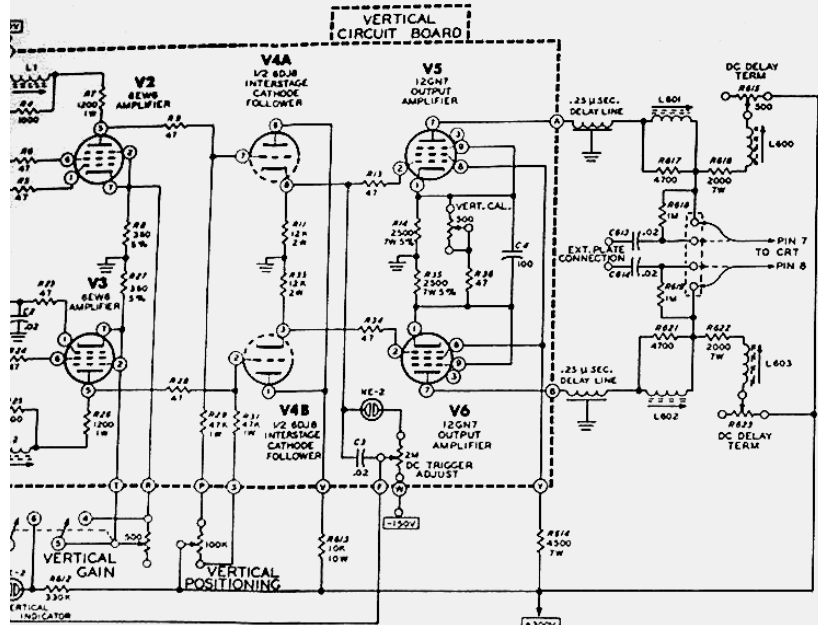
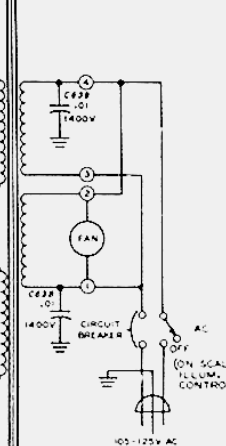
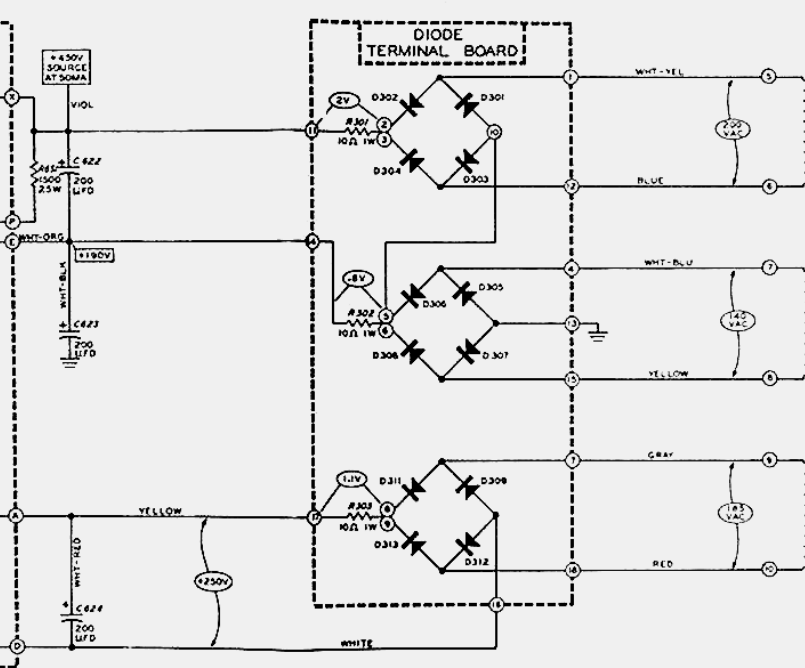
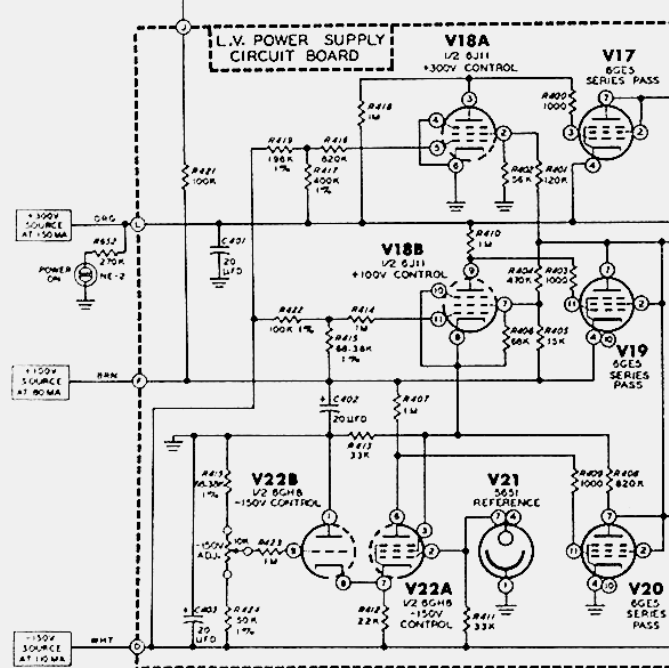
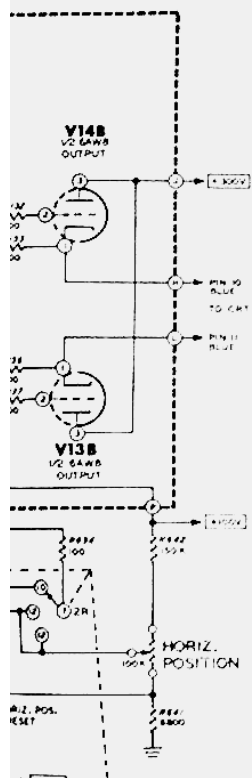
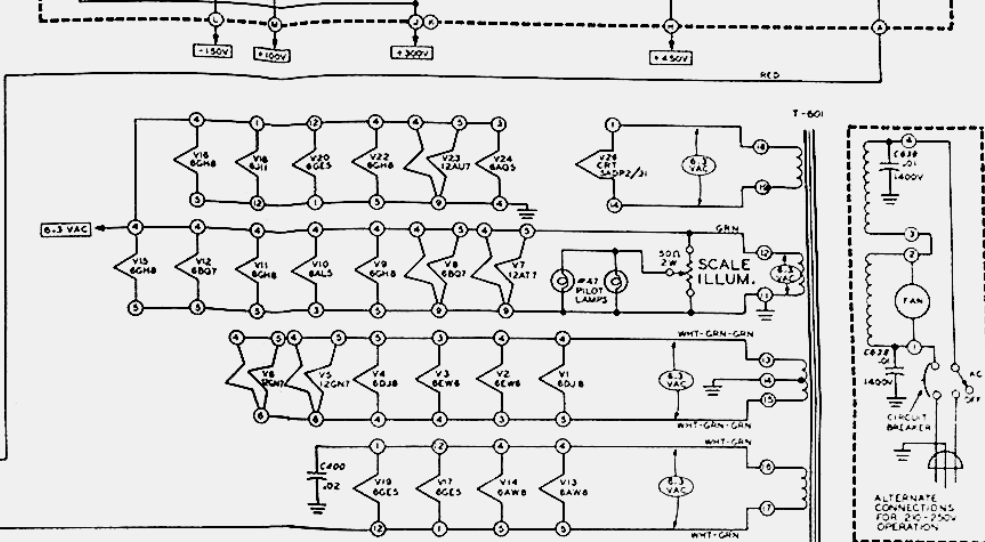
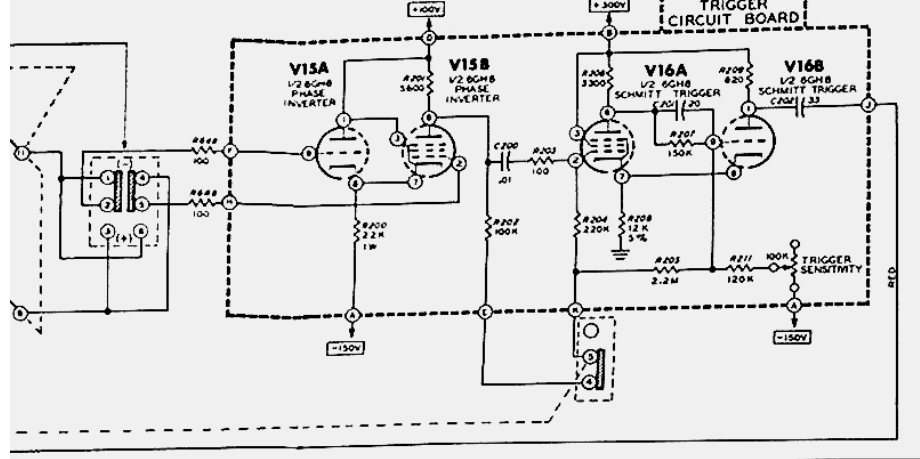


**SCHEMATIC OF THE
HEATHKIT®
LABORATORY OSCILLOSCOPE
MODEL 10-14**





**SCHEMATIC OF THE
HEATHKIT®
LABORATORY OSCILLOSCOPE
MODEL 10-14**

- RESISTOR AND CAPACITOR NUMBERS ARE IN THE FOLLOWING GROUPS:

0-.99	PARTS MOUNTED ON THE VERTICAL AMPLIFIER CIRCUIT BOARD.
100-199	PARTS MOUNTED ON THE SWEEP AND HORIZONTAL CIRCUIT BOARD.
200-299	PARTS MOUNTED ON THE TRIGGER CIRCUIT BOARD.
300-399	PARTS MOUNTED ON THE DIODE TERMINAL BOARD.
400-499	PARTS MOUNTED ON THE LOW VOLTAGE POWER SUPPLY CIRCUIT BOARD.
500-599	PARTS MOUNTED ON THE HIGH VOLTAGE POWER SUPPLY CIRCUIT BOARD.
600-699	PARTS NOT MOUNTED ON CIRCUIT BOARDS.
- ALL RESISTORS ARE 1/2 WATT UNLESS MARKED OTHERWISE. RESISTOR VALUES ARE IN OHMS (K = 100, MEG = 1,000,000).
- ALL RESISTORS MOUNTED ON VOLT/CM SWITCH ARE 1% PRECISION RESISTORS.
- CAPACITOR VALUES LESS THAN 1 ARE IN μ F. VALUES OF 1 AND ABOVE ARE IN μ F, UNLESS THEY ARE MARKED OTHERWISE.

- ALL SWITCH ROTORS SHOWN IN FULL COUNTERCLOCKWISE POSITION WHEN VIEWED FROM THE KNOB END.
- ARROW (↻) INDICATES CLOCKWISE ROTATION OF THE KNOB VIEWED FROM THE KNOB END.
- ARROW (↺) INDICATES REAR VIEW OF SWITCH WAFER.
- CONTROLS, SWITCHES, AND CONNECTORS NAMED IN HEAVY TYPE ARE MOUNTED ON THE FRONT PANEL.
- REFER TO THE CHASSIS PHOTOGRAPHS AND CIRCUIT BOARD X-RAY VIEWS (FOLD-OUT FROM PAGE 134) FOR THE PHYSICAL LOCATION OF PARTS.
- ALL VOLTAGES MEASURED FROM THE POINT SHOWN TO CHASSIS GROUND.
- ALL VOLTAGES MEASURED BETWEEN THE POINTS SHOWN.

