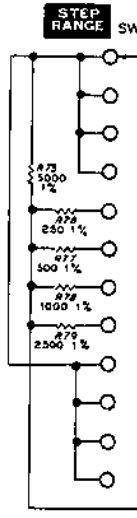


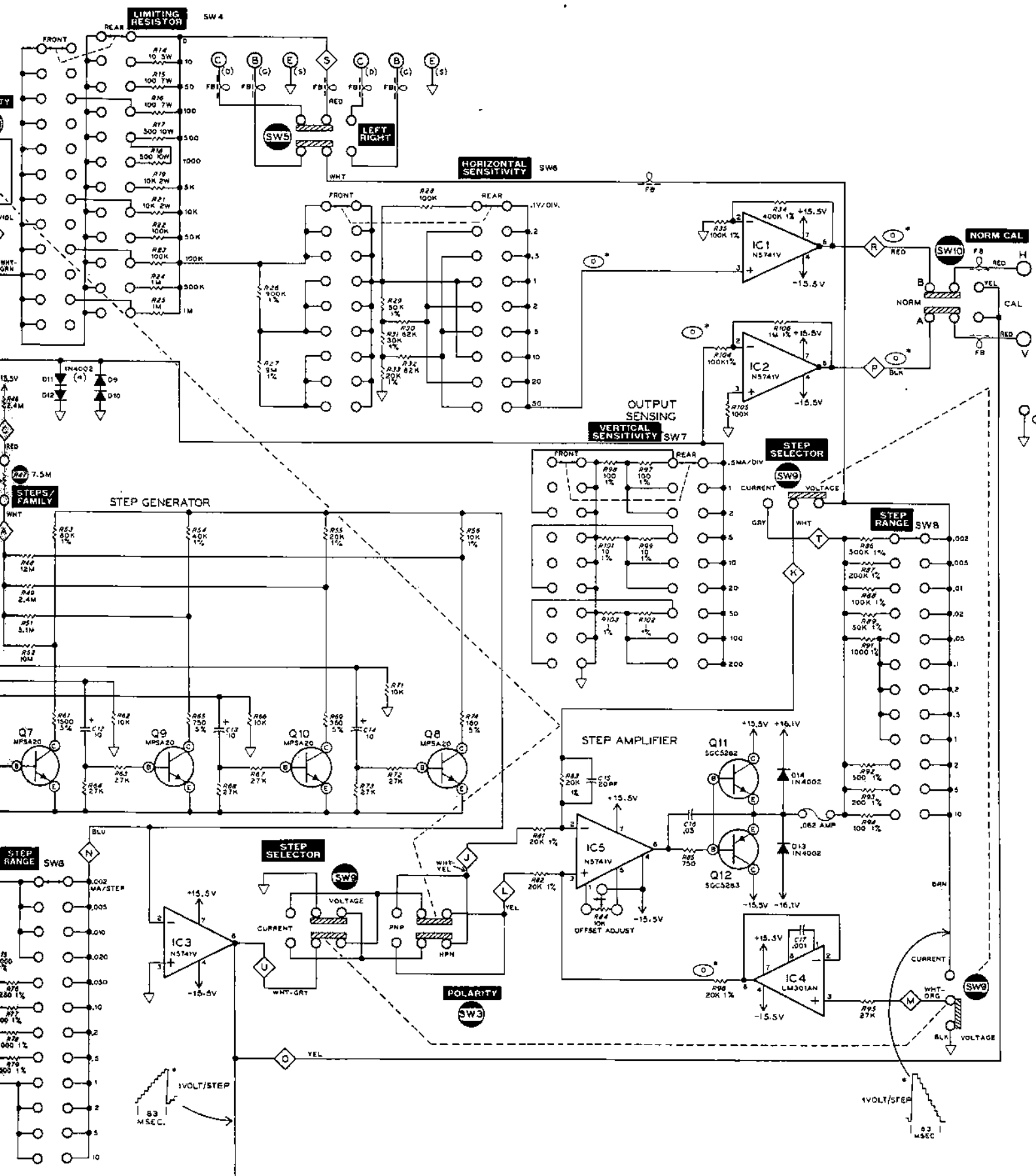
**SCHEMATIC OF THE
HEATHKIT[®]
SEMICONDUCTOR CURVE TRACER
MODEL IT-1121**

NOTES:

1. ALL RESISTORS ARE 1/2 WATT. RESISTOR VALUES ARE IN OHMS (K=1,000, M=1,000,000).
2. ALL CAPACITOR VALUES ARE IN μ F UNLESS MARKED pF.
3. REFER TO THE "CHASSIS PHOTOGRAPH" AND "CIRCUIT BOARD X-RAY VIEWS" FOR THE PHYSICAL LOCATION OF PARTS.
4. ∇ THIS SYMBOL INDICATES GROUND.
5. \diamond THIS SYMBOL INDICATES A LETTERED OR NUMBERED CIRCUIT BOARD CONNECTION.
6. \bullet THIS SYMBOL INDICATES A PART NOT MOUNTED ON THE CIRCUIT BOARD.
7. \circ THIS SYMBOL INDICATES A DC VOLTAGE TAKEN FROM THE POINT INDICATED TO CIRCUIT BOARD GROUND WITH A HIGH INPUT IMPEDANCE VOLTMETER.
8. * THESE WAVEFORMS AND VOLTAGES WERE TAKEN WITH THE CONTROLS IN THE FOLLOWING POSITIONS.

SWEEP VOLTAGE	FULLY COUNTERCLOCKWISE
SWEEP RANGE	0-40
POLARITY	NPN
VOLT - CURRENT	VOLTAGE
STEPS / FAMILY	FULLY CLOCKWISE
STEP RANGE	1 VOLT / STEP





LIMITING RESISTOR SW 4

HORIZONTAL SENSITIVITY SW6

OUTPUT SENSING VERTICAL SENSITIVITY SW7

STEP GENERATOR

STEP SELECTOR SW9

STEP RANGE SW8

STEP AMPLIFIER

STEP SELECTOR SW9

POLARITY SW3

STEP RANGE SW8

1VOLT/STEP

1VOLT/STEP

63 MSEC.

63 MSEC.