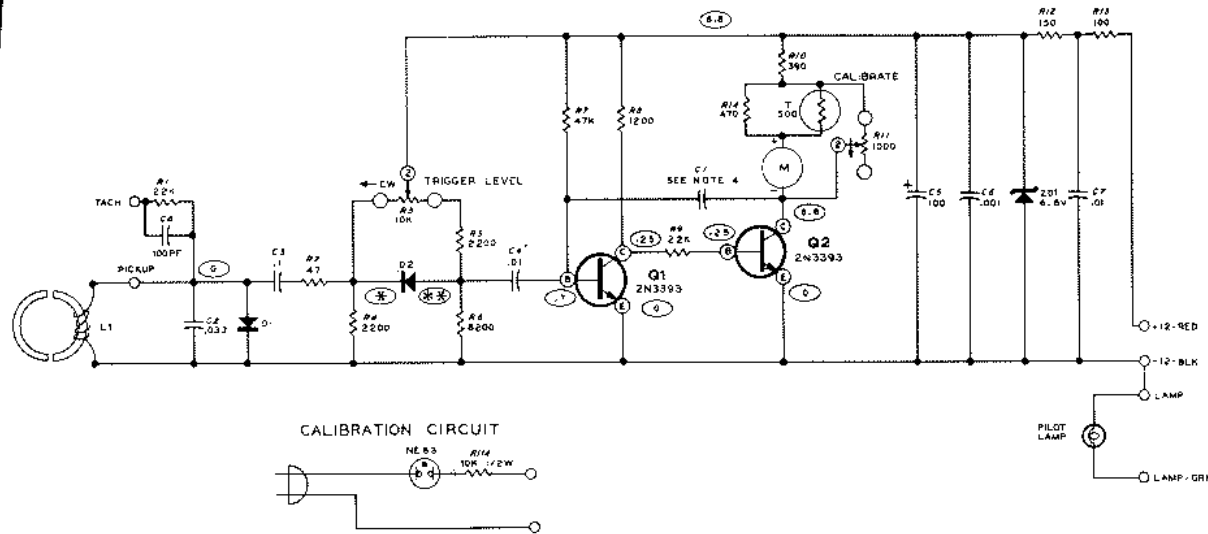




HEATH COMPANY, Benton Harbor, Michigan 49022

**SCHEMATIC OF THE
HEATHKIT®
TACHOMETER
MODEL MI-18**



- NOTES:
1. ALL RESISTORS ARE 1/4 WATT UNLESS OTHERWISE SPECIFIED.
 2. ALL CAPACITANCE VALUES ARE IN MICROFARADS, EXCEPT WHERE SPECIFIED.
 3. THIS SYMBOL INDICATES A POSITIVE DC VOLTAGE MEASUREMENT TAKEN WITH AN 11 MEGOHM INPUT VOLTMETER FROM THE POINT INDICATED TO THE -12 VOLT TERMINAL. ALL VOLTAGES ARE MEASURED WITH NO SIGNAL INPUT. VOLTAGES MAY VARY 30%.
 4. VALUE OF C) DEPENDS ON ENGINE. SEE INSTRUCTION MANUAL.
- * VARIES 2.4 TO 6.8 WITH SETTING OF R3.
* * VARIES 3.7 TO 3.0 WITH SETTING OF R3.

MI-18 SPECIFICATIONS

TRIGGER SENSITIVITY (MINIMUM REQUIREMENTS): Pickup Coil: 2.5 mA peak; 5 μ S rise time. Tach Connection: 30 volt negative pulse; 5 μ S rise time. **METER RANGE:** 0-6000 r/min, or 0-9000 r/min. **ENGINE CAPABILITY:** 1 to 6 cylinders, 2 cycles. 2 to 8 cylinders, 4 cycles. **ACCURACY:** \pm 2% at calibrating temperature when calibrated at full scale. \pm 5% from 0 degrees F to +120 degrees F. **POWER REQUIREMENTS:** 10.5 to 17.5 volts DC, 25 mA at 12 volts DC, 125 mA with lamp. **METER:** 1 mA, 1000 ohms. **DIMENSIONS:** MODEL MI-18-1. 3 $\frac{3}{4}$ " overall face diameter. Mounts in 3 $\frac{1}{4}$ " hole. 2 $\frac{1}{4}$ " overall case depth. MODEL MI-18-2. 3 $\frac{3}{4}$ " overall face diameter. 4 $\frac{1}{4}$ " high, 3" overall case depth. **WEIGHT:** MI-18-1: 14 oz., MI-18-2: 17 oz.

Prices and specifications subject to change without notice.