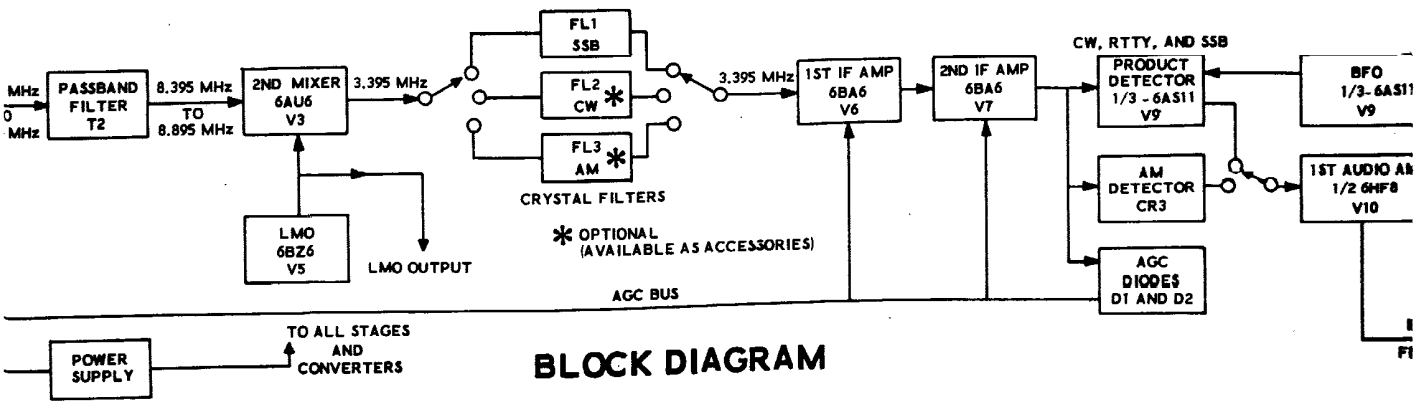
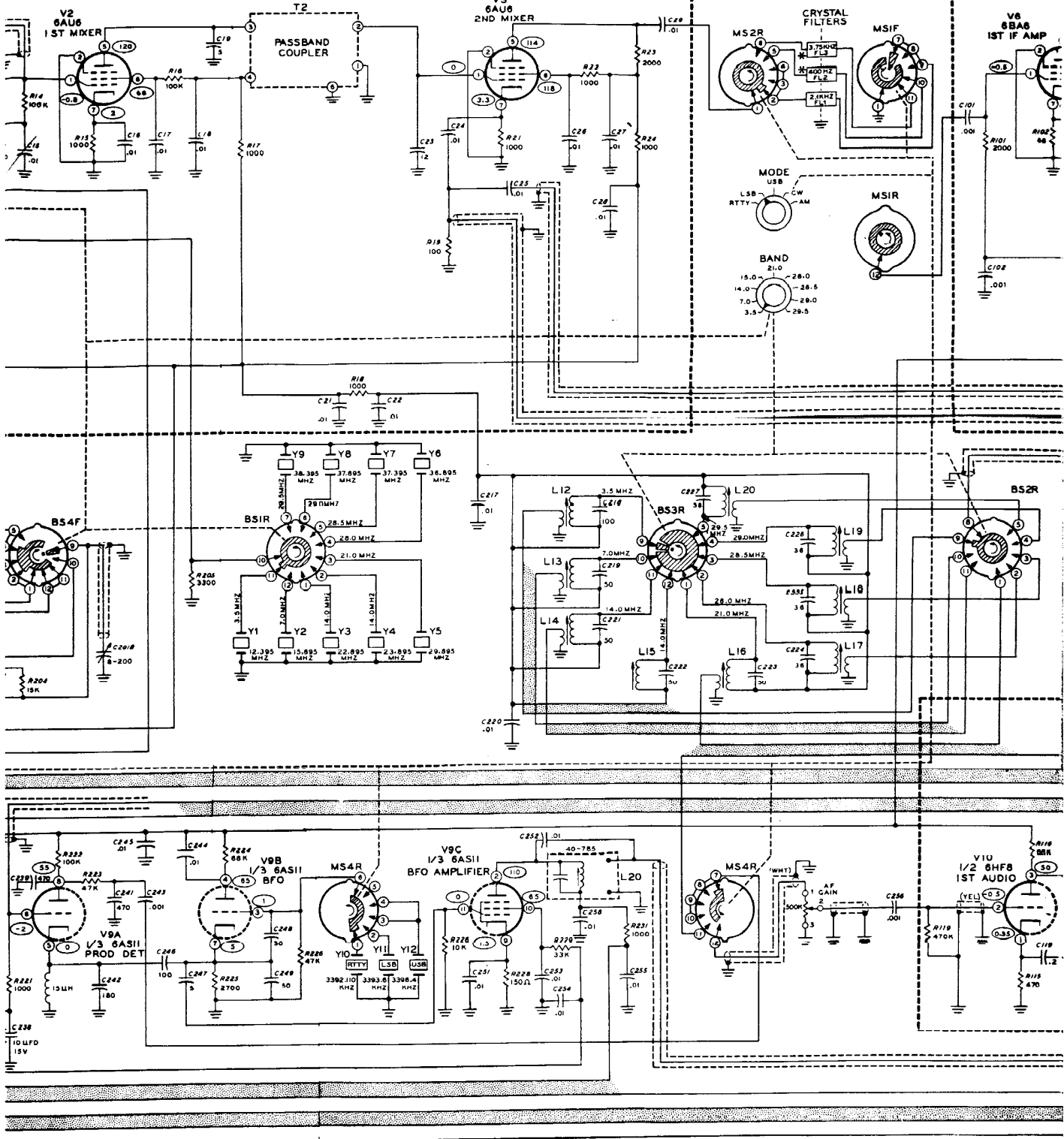


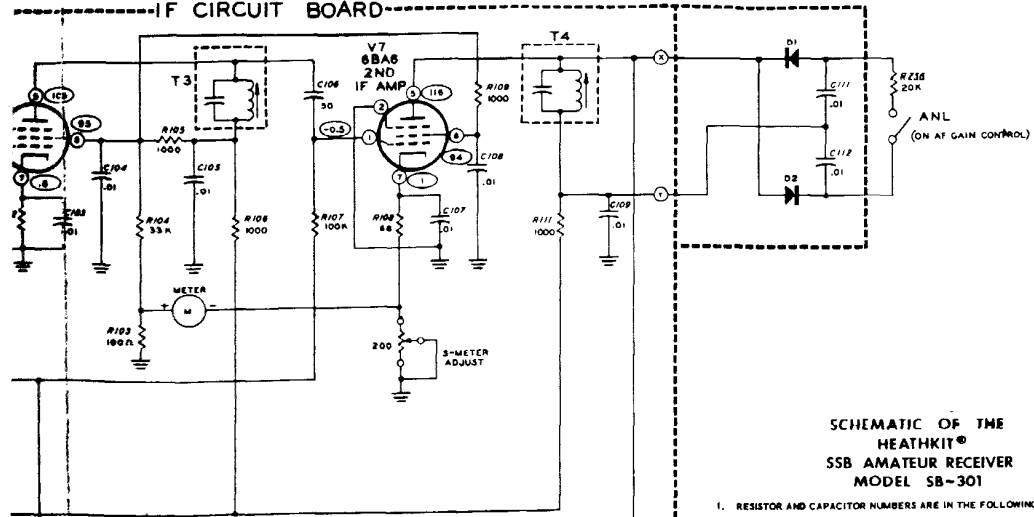
- ① 8-3 VAC VHF NO 2
- ② GND
- ③ 140 VDC VHF NO 2
- ④ AGC
- ⑤ NC
- ⑥ 140 VDC VHF NO 1
- ⑦ GND
- ⑧ 8-3 VAC VHF NO 1

RF CIRCUIT BOARD



BLOCK DIAGRAM

-IF CIRCUIT BOARD-

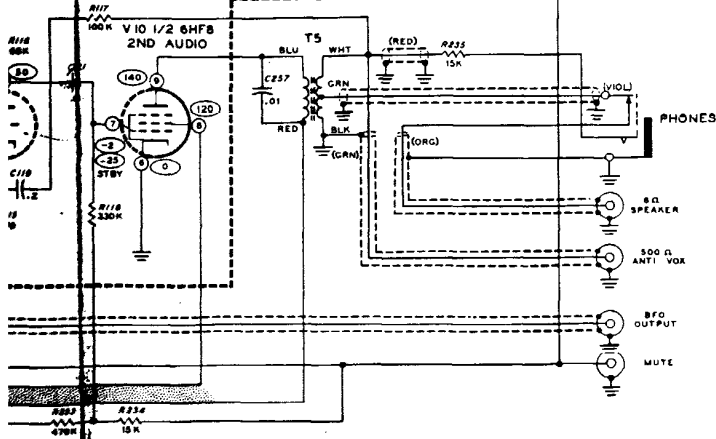
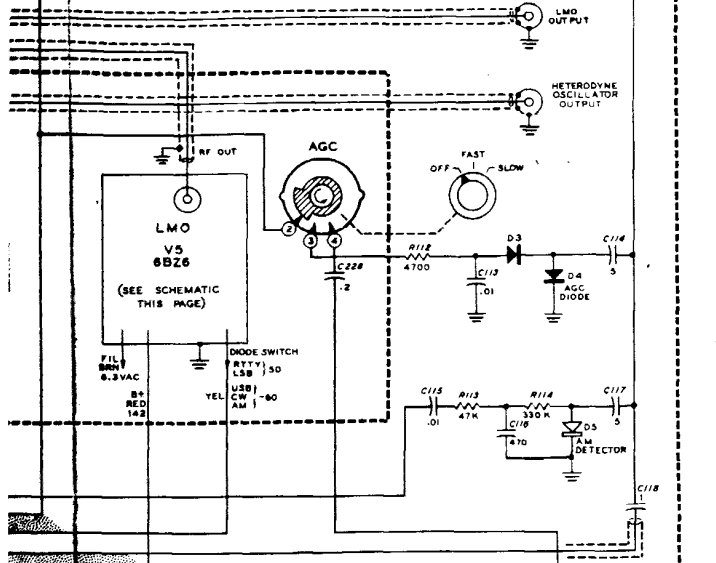


**SCHEMATIC OF THE
HEATHKIT®
SSB AMATEUR RECEIVER
MODEL SB-301**

1. RESISTOR AND CAPACITOR NUMBERS ARE IN THE FOLLOWING GROUPS:
 0-99 PARTS MOUNTED ON THE RF CIRCUIT BOARD
 100-199 PARTS MOUNTED ON THE IF CIRCUIT BOARD
 200-299 PARTS MOUNTED ON THE CHASSIS
2. ALL RESISTORS ARE 1/2 WATT UNLESS MARKED OTHERWISE. RESISTOR VALUES ARE IN OHMS (K = 1000, MEG = 1,000,000).
3. CAPACITOR VALUES LESS THAN 1 ARE IN μ F. VALUES OF 1 AND ABOVE ARE IN P UNLESS THEY ARE MARKED OTHERWISE.
4. THIS SYMBOL --- INDICATES A DC VOLTAGE MEASUREMENT, TAKEN WITH AN 11 MEGOHM VTVM, FROM THE POINT INDICATED TO CHASSIS GROUND. VOLTAGES MAY VARY $\pm 10\%$.
5. ALL VOLTAGES ARE DC POSITIVE UNLESS OTHERWISE MARKED.
6. REFER TO THE CHASSIS PHOTOGRAPHS AND CIRCUIT BOARD X-RAY VIEWS FOR THE PHYSICAL LOCATION OF PARTS.
7. () INDICATES COLOR CODE OF COAXIAL CABLE.
8. DIODE SYMBOLS ARE AS FOLLOWS: --- FOR GERMANIUM DIODES, --- FOR SILICON DIODES.
9. SWITCH WAFERS ARE IDENTIFIED AS IN THE FOLLOWING EXAMPLE:

BS	2	F
3	1	4

 FRONT PANEL NAME OF SWITCH: BS-BAND SWITCH MS-MODE SWITCH
 WAFER NUMBER, WITH THE SWITCH VIEWED FROM THE FRONT PANEL.
 F - FRONT SIDE OF THE WAFER, R - REAR SIDE OF THE WAFER.
10. ARROW \curvearrowright INDICATES COUNTERCLOCKWISE ROTATION OF KNOB (VIEWED FROM KNOB END).
11. NC MEANS NO CONNECTION.
12. * INDICATES ACCESSORY CRYSTAL FILTERS.



VOLTAGE CHART
PIN 6 OF WET OSC V4

BAND	VOLTAGE
3.5	2.8
7.0	2.9
14.0	2.8
15.0	2.9
21.0	2.8
28.0	2.4
28.5	2.5
29.0	2.4
29.5	2.7

