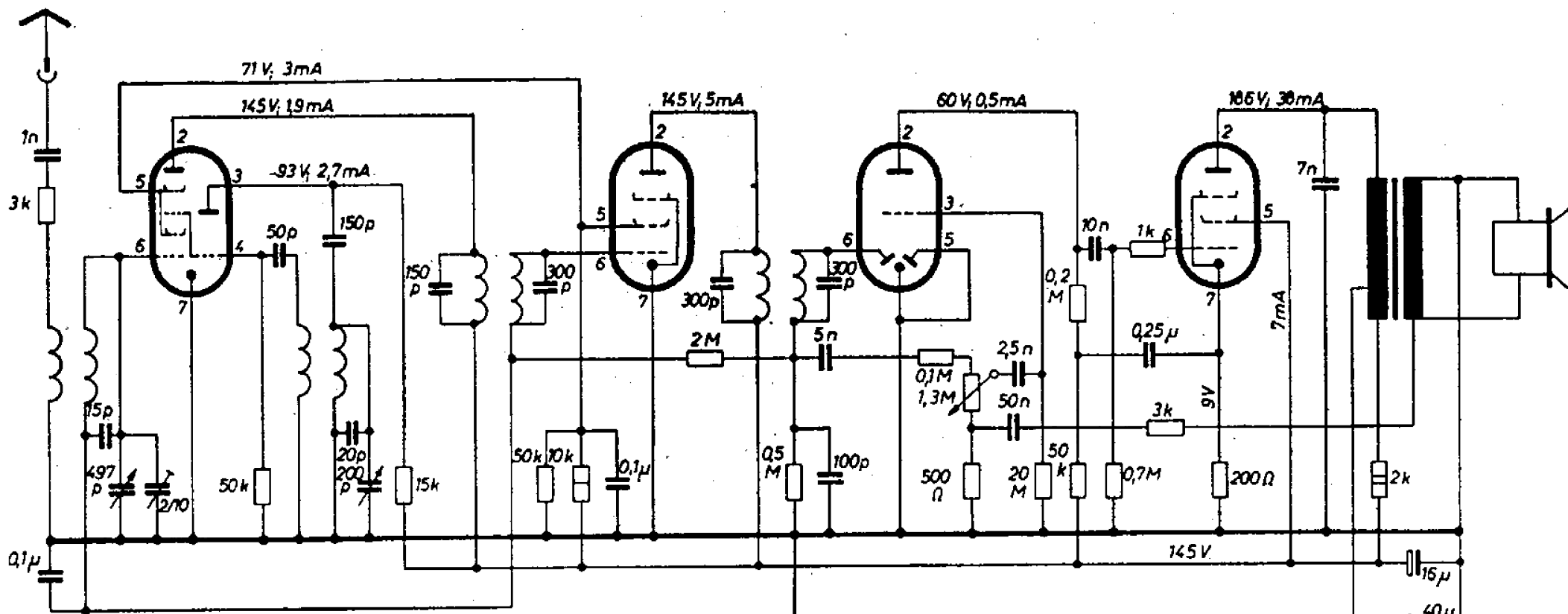


UCH 42

UF 41

UBC 41

UL 41



ZF = 468 KHz

V 833 Ω/V

