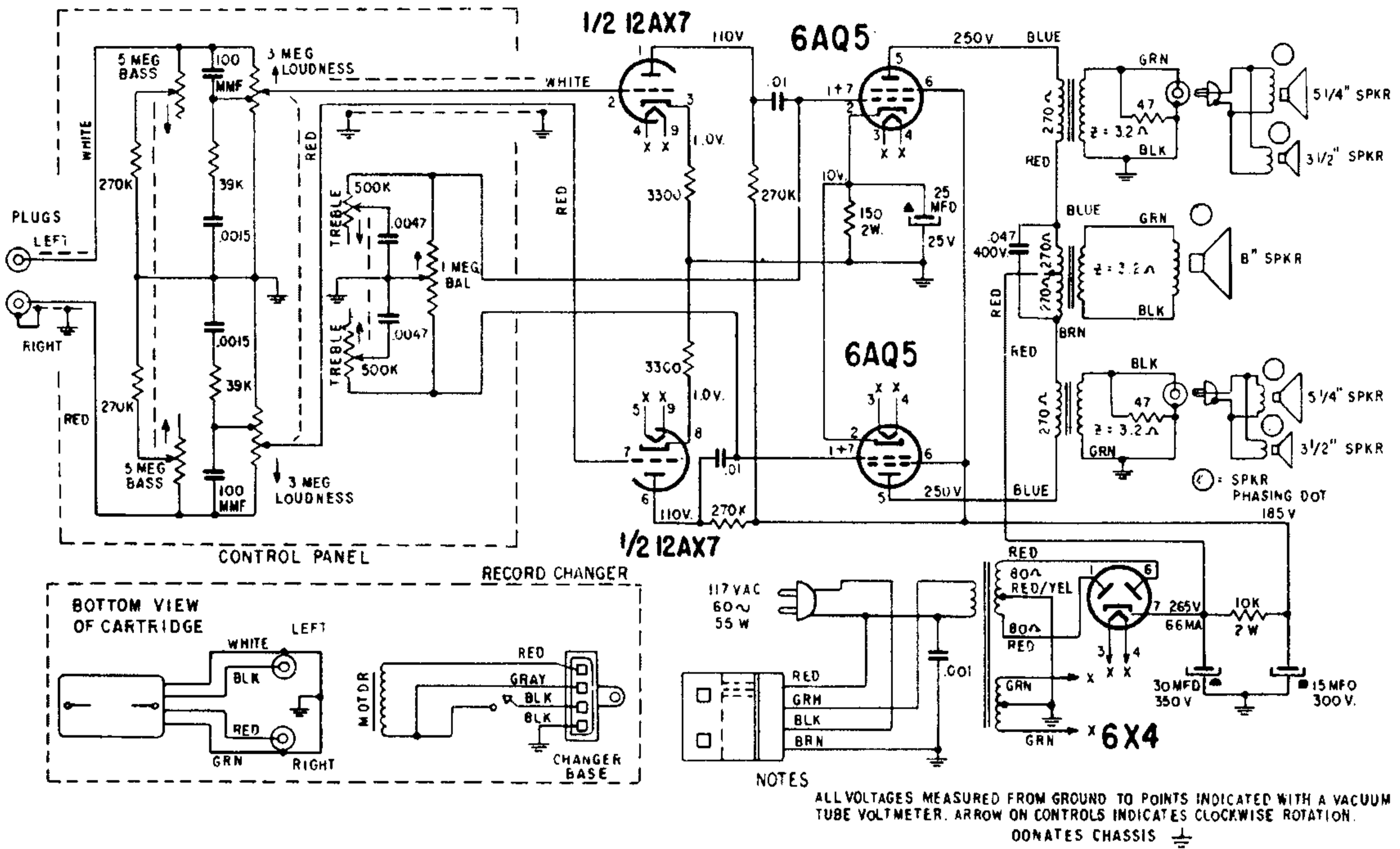


ZENITH RADIO CORPORATION

SCHEMATIC FOR KPS-80



3K01 & 3K02 SCHEMATIC FOR MODELS ST1950T-1, MT1950-1, ST1954T, MT1954, SFH2500T-1, MH2600-1, RK2600, SK2501T & MK2601

