

INDEX

	PAGE		PAGE
ALIGNMENT INSTRUCTIONS . . .	4	SPECIFICATIONS	2
PARTS LIST	9,15-20	TOP VIEW — TUBE LAYOUT. . .	7,8
SCHEMATIC	10-14	TRIMMER LOCATIONS.	7,8
		WAVEFORMS	6

Zenith telev
These tubes
reduce hala

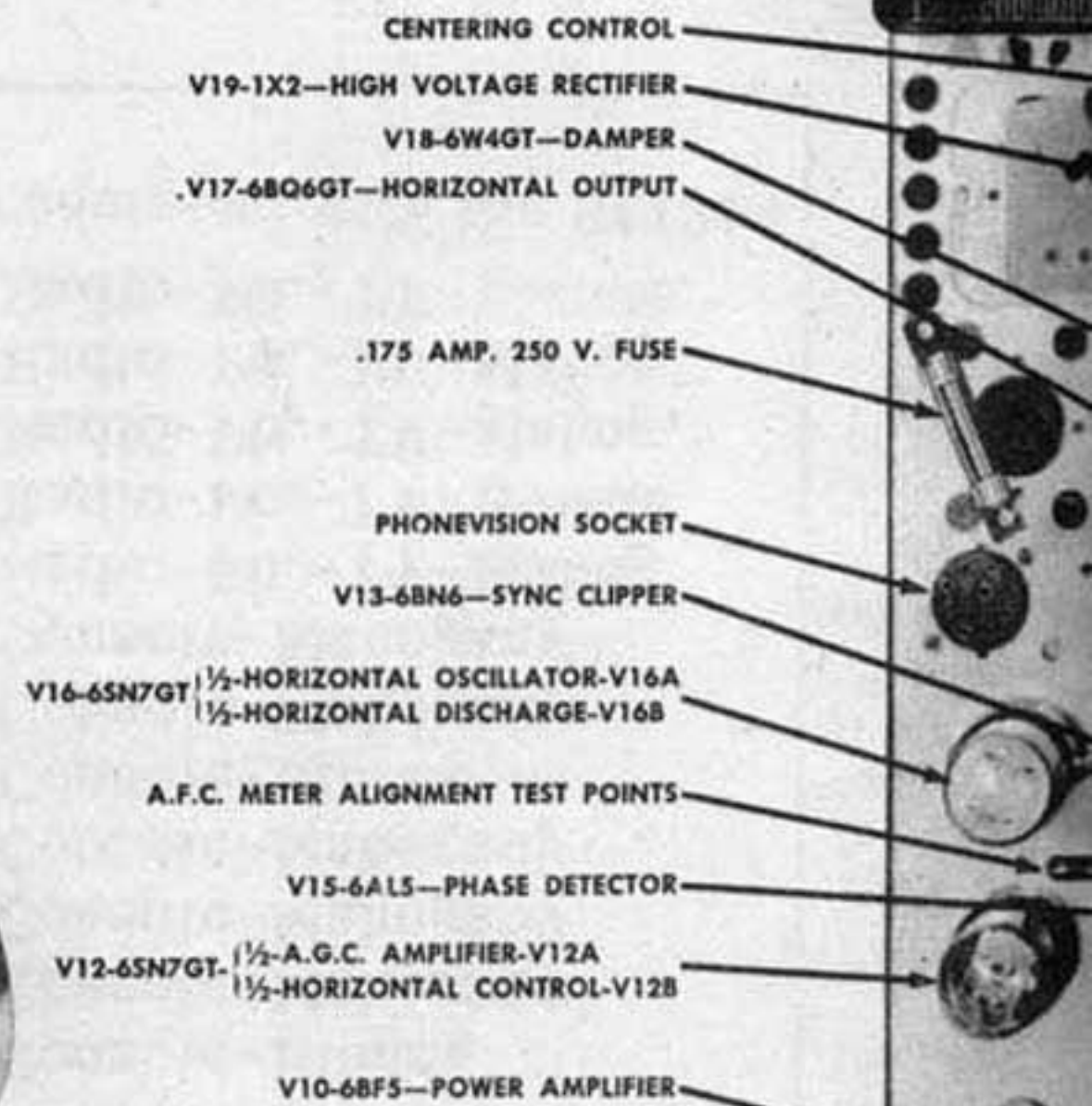
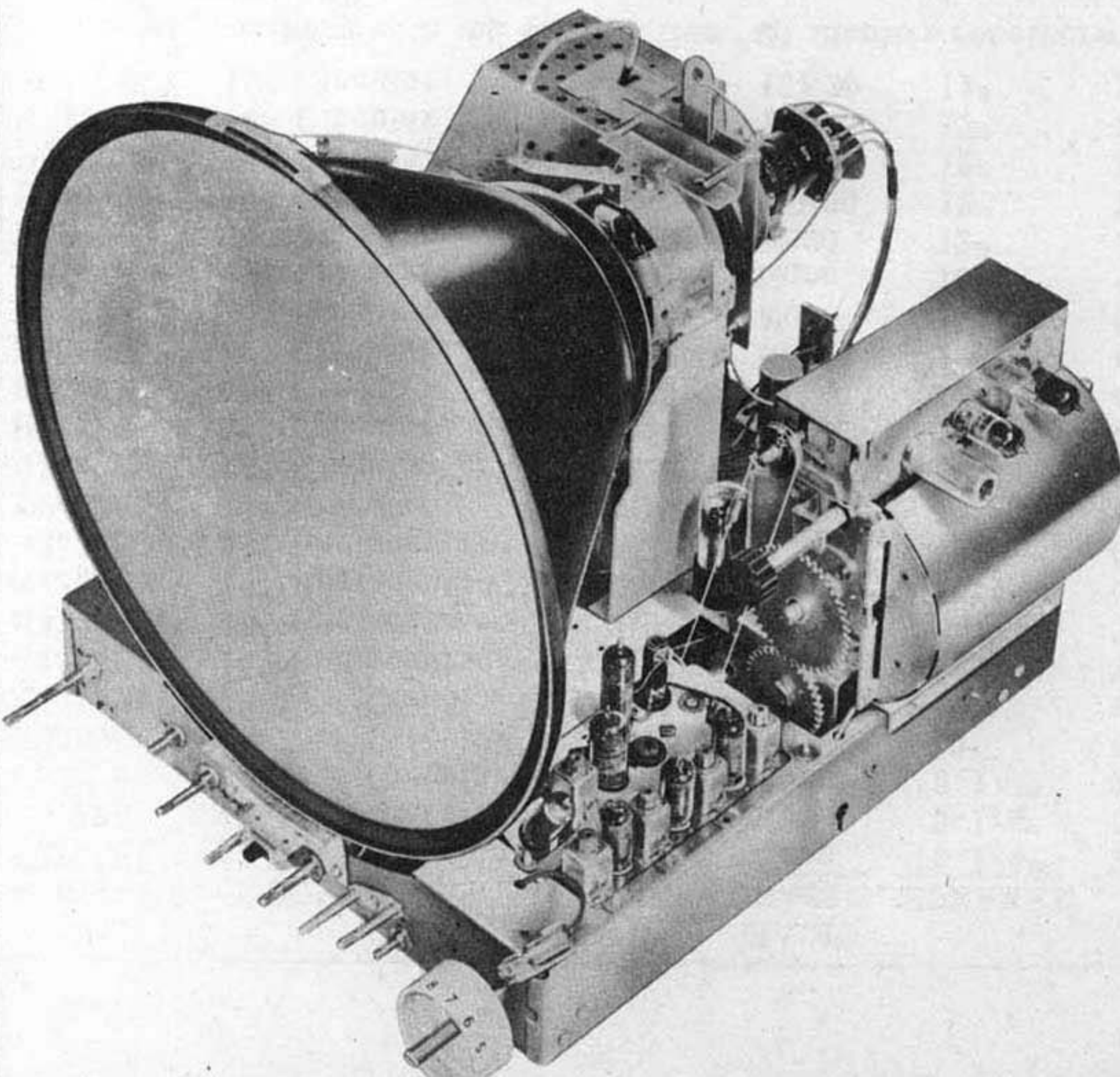
The etched
glass, virtu

On those re
with ease fr

The 22H20/23H22/24H20-21 series of direct view TV receivers have many outstanding features. These include Remote Control, Turret Tuning with replaceable channel strips, main chassis construction using interchangeable sub-chassis and provision for easy addition of Phonevision.

In addition, provisions are made for reception, under present standards, of the new ultra high frequencies by the simple addition of ultra high frequency channel strips as required.

For the convenience of the serviceman, a built-in oscillator adjustment wrench and easily accessible test points are provided for use during alignment and test of the receiver.



V20-SU

FOCUS AD

AGE
8
8

Zenith television receivers are being manufactured with the new Glare-Ban "Black" tubes. These tubes are constructed with a special glass containing certain metallic oxides which reduce halations and provide much better contrast.

The etched surface on the picture tube face coupled with the precise tilt of the protective glass, virtually eliminates undesirable reflections from windows, room lights, etc.

On those receivers equipped with the Remote Control Unit, station selection can be made with ease from any point in the room within reach of the 17-foot extension cable.

outstanding
anel strips,
or easy ad-

e new ultra
s required.
and easily
e receiver.

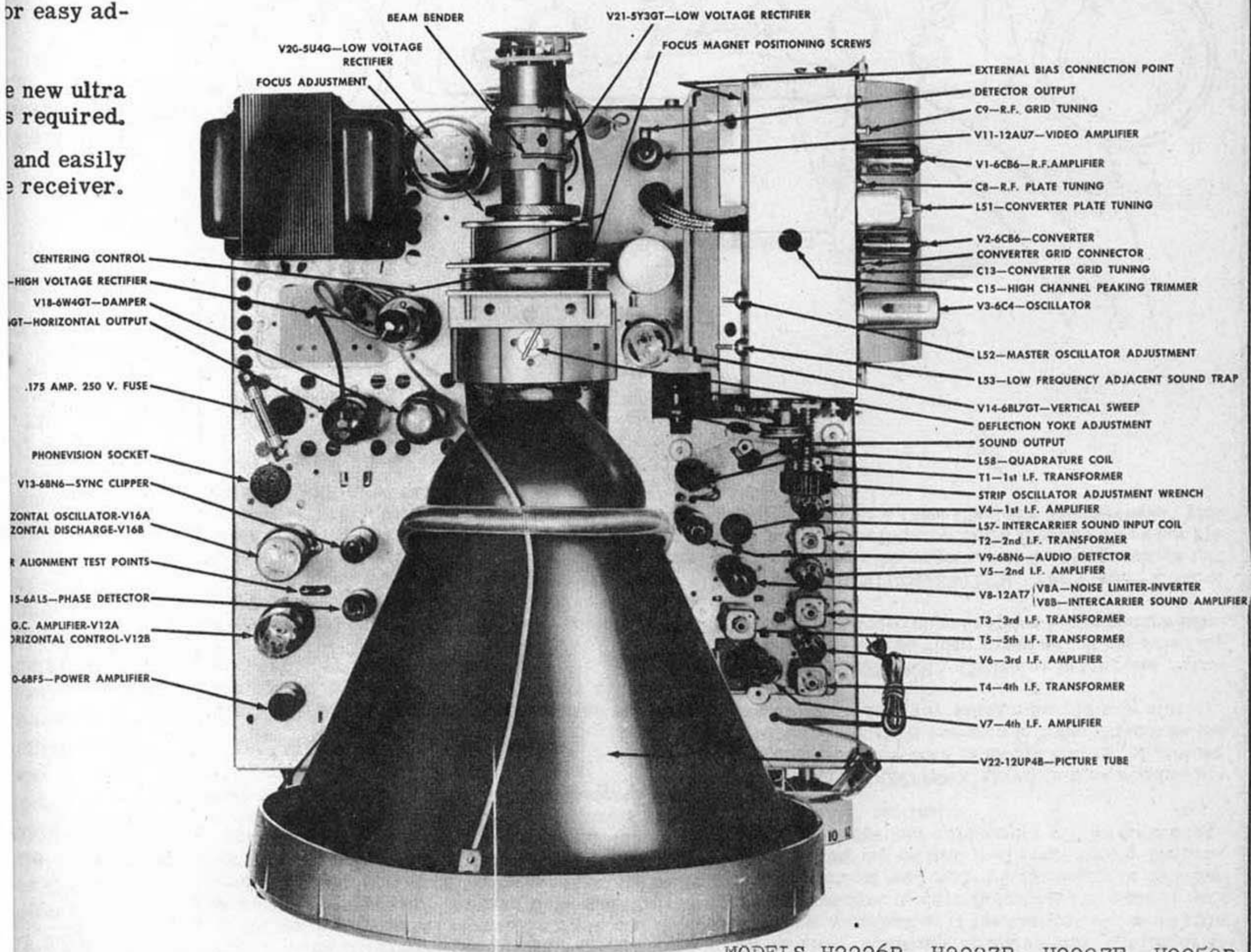


Fig. 1 Top View 22H20 Chassis.

MODELS H2226R, H2227R, H2227E, H2250R, H2255E, Ch. 22H20; H2328EZ, H2328RZ, H2352RZ, H2353EZ, Ch. 23H22Z; H2437E, H2437R, H2438R, H2439R, H2449E, H3267R, H3469E, H3475R, Ch. 24H20; H2445R, H2447R, H2477R, H2478R, Ch. 24H20

ZENITH TV PAGE 6-

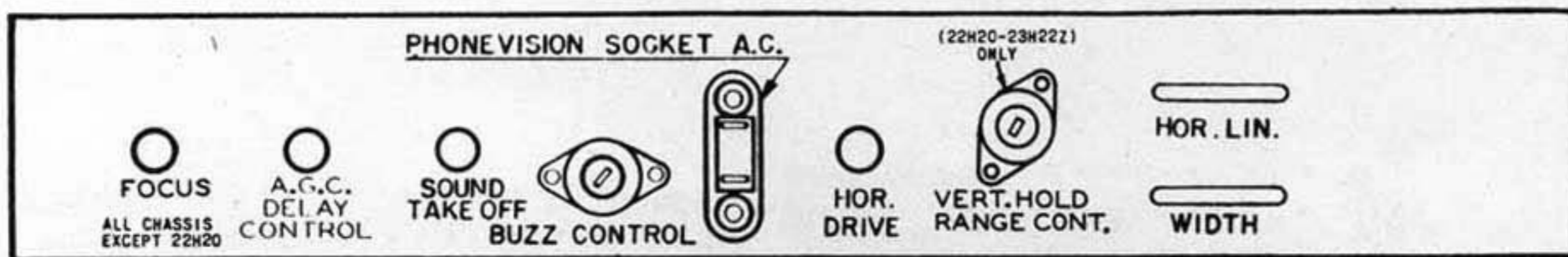
MODEL *	SCREEN	TV CHASSIS	RADIO CHASSIS	SPEAKER	TYPE OF SET
H2226R	12-1/2" Circular	22H20	None	5-1/4"	Table-Mahogany
H2227R	12-1/2" Circular	22H20	None	5-1/4"	Table-Mahog-Pyroxylin
H2227E	12-1/2" Circular	22H20	None	5-1/4"	Table-Blonde-Pyroxylin
H2250R	12-1/2" Circular	22H20	None	10"	Console-Mahogany
H2255E	12-1/2" Circular	22H20	None	10"	Console-Blonde
H2328EZ	16" Rectangular	23H22Z	None	5-1/4"	Table-Blonde
H2328RZ	16" Rectangular	23H22Z	None	5-1/4"	Table-Mahogany
H2352RZ	16" Rectangular	23H22Z	None	10"	Console-Mahogany
H2353EZ	16" Rectangular	23H22Z	None	10"	Console-Blonde
H2437E	16" Circular	24H20	None	10"	Console-Blonde
H2437R	16" Circular	24H20	None	10"	Console-Mahogany
H2438R	16" Circular	24H20	None	10"	Console-Mahogany
H2439R	16" Circular	24H20	None	12"	Console-Mahogany
H2449E	16" Circular	24H20	None	12"	Console-Blonde
H2445R	19" Circular	24H21	None	10"	Console-Mahogany
H2447R	19" Circular	24H21	None	10"	Console-Mahogany
H3267R	16" Circular	24H20	8H20	12"	Radio-Ph.-TV-Mahog.
H3469E	16" Circular	24H20	10H20	12"	Radio-Ph.-TV-Blonde
H3475R	16" Circular	24H20	10H20	12"	Radio-Ph.-TV-Mahog.
H3477R	19" Circular	24H21	10H20	12"	Radio-Ph.-TV-Mahog.
H3478E	19" Circular	24H21	10H20	12"	Radio-Ph.-TV-Blonde

*All model numbers with the suffix letter "Q" identify receivers equipped with the S17268 Remote Control Unit.

Power Consumption { 22H-Series 225 Watts
23H-Series 250 Watts
24H-Series 275 Watts

Power Supply - 110 V 60 Cycles AC
Audio Output-TV Undistorted 1.8 Watts
Maximum 3.2 Watts

Antenna Impedance - 300 Ohms



CONTROLS AT REAR OF CHASSIS

Location
Fig. 2
ed, the se
Brightne
Control
dot stam
ward. (A
will aid
they be a
each con

CHANNE
ating pos
the parti

FINE TU
ing the fr
for any f
tube and
it will be
Proper s
obtained



CONTROLS AND FUNCTIONS

Location of the various receiver controls is shown in Fig. 2. After the receiver has been properly adjusted, the serviceman should remove the Horizontal Hold, Brightness, Fine Tuning, Vertical Hold, and Contrast Control knobs and re-position them so that the white dot stamped on the outer edge of each knob faces upward. (As in Fig. 2). The positioning of the knobs will aid the customer in resetting the controls should they be accidentally moved. A brief description of each control follows:

CHANNEL SELECTOR SWITCH: Switches into operating position the pre-tuned RF strip for reception of the particular channel desired.

FINE TUNING CONTROL: Provides a means of varying the frequency of the local oscillator to compensate for any frequency deviation which may result from tube and circuit variations. In operating this control it will be found that the range of sound is quite broad. Proper setting is the point where the best picture is obtained within the range of best sound.

VERTICAL HOLD CONTROL

VERTICAL HOLD RANGE CONTROL: The combination of these controls provide a means of changing the cathode resistance of the vertical oscillator to effect synchronization of the vertical sweep with the transmitted sync pulses. Adjustment is made by setting the vertical hold control in the center of its range and adjusting the vertical hold range control for proper sync. Improper adjustment will cause the picture to "roll" vertically.

BRIGHTNESS CONTROL: Controls the cathode voltage of the picture tube to afford control of picture brilliance. Must be operated in conjunction with the Contrast Control for maximum picture clarity.

CONTRAST CONTROL: Control is in the plate circuit of the 12AU7 second video amplifier. It regulates the magnitude of video signal applied to the picture tube.

PICTURE CONTROL SWITCH: The Picture Control Switch changes the magnitude of the sweep voltage into the vertical deflection coils thereby allowing the choice of either a Giant Circle or "conventional" picture.

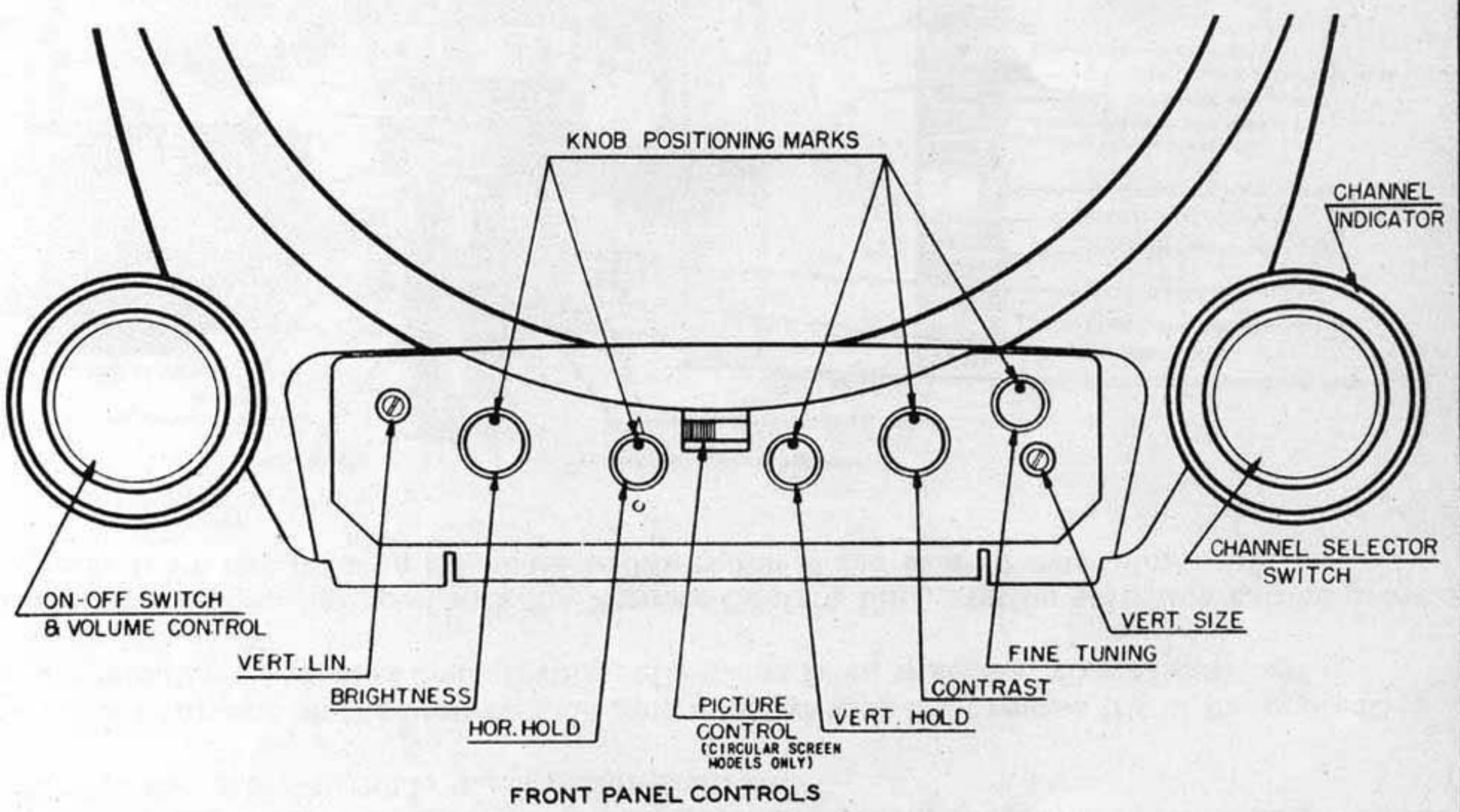
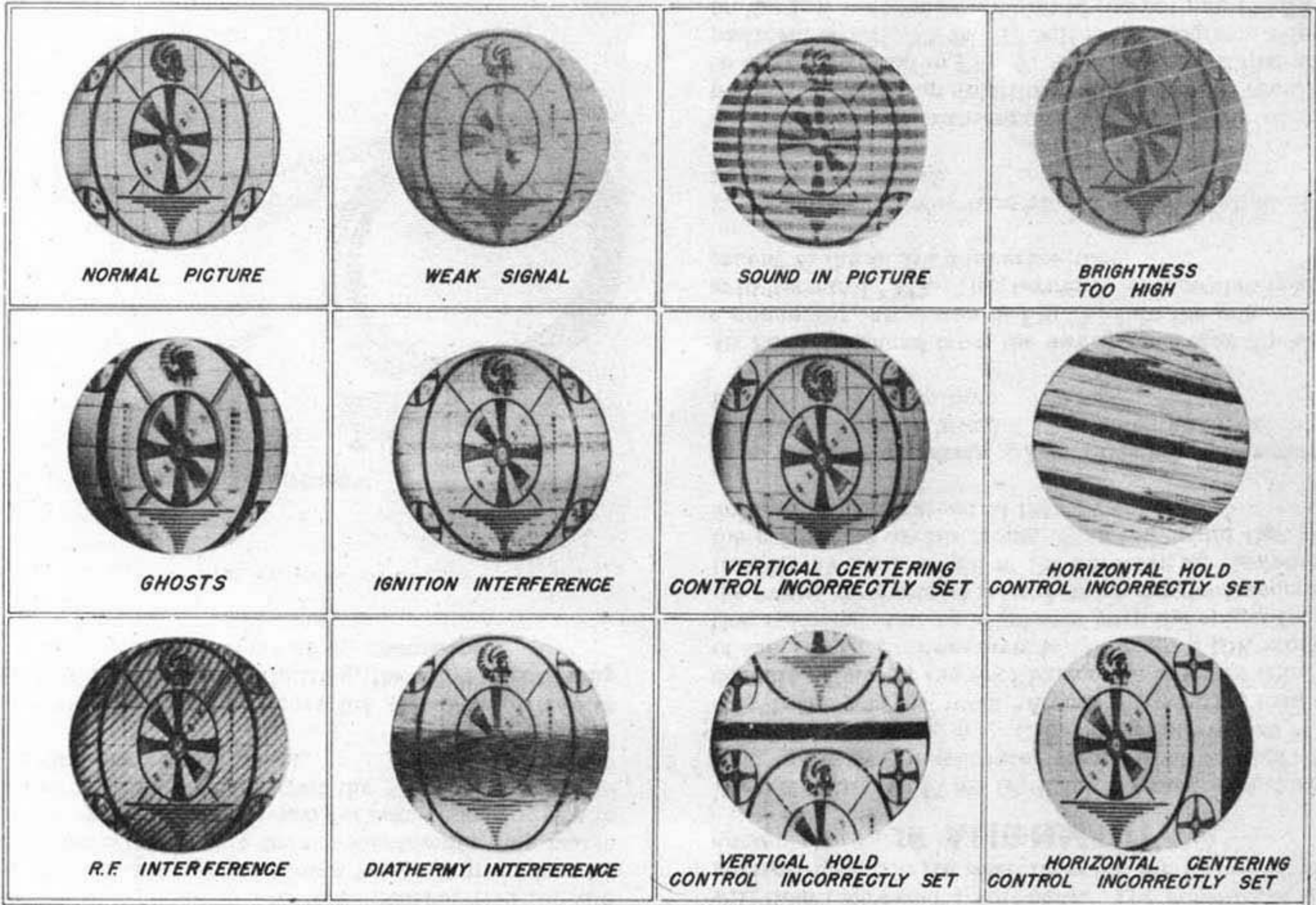


Fig. 2 Controls

TEST PATTERNS ON CIRCULAR SCREEN MODELS



CHANNEL	FREQ BAND	PICTURE CARRIER	SOUND CARRIER	RECEIVER LOCAL OSCILLATOR
1				
2	54-60-MC	55.25 MC	59.75 MC	101 MC
3	60-66	61.25	65.75	107
4	66-72	67.25	71.75	113
5	76-82	77.25	81.75	123
6	82-88	83.25	87.75	129
7	174-180	175.25	179.75	132.5
8	180-186	181.25	185.75	138.5
9	186-192	187.25	191.75	144.5
10	192-198	193.25	197.75	150.5
11	198-204	199.25	203.75	156.5
12	204-210	205.25	209.75	162.5
13	210-216	211.25	215.75	168.5

Fig. 3 Television Channels and Corresponding Receiver Oscillator Frequencies.

HORIZONTAL HOLD CONTROL: The Horizontal Hold Control is used to tune the horizontal oscillator to the frequency of the transmitted sync pulses.

VERTICAL SIZE CONTROL: The Vertical Size Control is part of the vertical oscillator plate load. It is used in conjunction with the vertical linearity control to adjust the size of the picture vertically.

VERTICAL LINEARITY CONTROL: The Vertical Linearity Control is in the cathode circuit of the vertical output tube and is used to shift the operating point of the tube so that the sweep is amplified along that portion of the plate current curve which results in a linear output.

HORIZONTAL DRIVE CONTROL: Regulates the magnitude of the horizontal sweep voltage applied to the grid of the horizontal output tube. Care must be exercised not to advance this control to a point where the right side of picture begins to fold.

HORIZONTAL LINEARITY CONTROL: The Horizontal Linearity Control should be adjusted for best horizontal symmetry while observing a test pattern on the screen. The position of the horizontal drive and width controls also affect linearity and possible interaction of these controls must be taken into consideration when making linearity adjustments.

WIDTH CONTROL: A variable inductance L75 shunted across a portion of the secondary winding of the horizontal output transformer T14. Varying this shunt inductance changes the magnitude of the sweep voltage across the horizontal deflection coils thus causing the picture to widen or narrow accordingly.

FOCUS CONTROL: (22H20) A mechanical shunt which regulates the flux density of the ring type permanent magnet to effect proper focus.

FOCUS CONTROL: (23H & 24H series) A combination electro-permanent magnet is used. Focus is accomplished electrically by adjustment of the Focus Control at the rear of the chassis.

TUBE COMPLEMENT CHASSIS 22H20 - 23H22* - 23H22Z*

SYMBOL	TUBE	FUNCTION
V1	6CB6	RF Amplifier
V2	6CB6	Converter
V3	6C4	Oscillator
V4	6AU6	1st IF Amplifier
V5	6AU6	2nd IF Amplifier
V6	6AU6	3rd IF Amplifier
V7	6AU6	4th IF Amplifier
V8	12AT7	V8A Noise Limiter Inverter V8B Intercarrier Sound Amp.
V9	6BN6	Sound Detector and Limiter
V10	6BF5	Audio Output

V11	12AU7	V11A 1st Video Amplifier V11B 2nd Video Amplifier
V12	6SN7GT	V12A AGC Amplifier V12B Horizontal Control
V13	6BN6	Sync Clipper
V14	6BL7GT	V14A Vertical Oscillator V14B Vertical Output
V15	6AL5	Phase Detector
V16	6SN7GT	V16A Horizontal Oscillator V16B Horizontal Discharge
V17	6BQ6GT	Horizontal Output
V18	6W4GT	Damper
V19	1X2	High Voltage Rectifier
V20	5U4G	Low Voltage Rectifier
V21	5Y3GT	Low Voltage Rectifier
V22	12UP4B	Picture Tube

*Tube complement same as for 22H20 chassis except that V22 is a 17BP4 and two 6BQ6GT tubes are used in the horizontal output circuit. Chassis 23H22Z is the same as 23H22 except that V22 is a 16TP4. V19 on 23H22 and 23H22Z chassis can be 1X2 or 1B3GT.

TUBE COMPLEMENT CHASSIS 24H20 - 24H21*

SYMBOL	TUBE	FUNCTION
V1	6CB6	RF Amplifier
V2	6CB6	Converter
V3	6C4	Oscillator
V4	6AU6	1st IF Amplifier
V5	6AU6	2nd IF Amplifier
V6	6AU6	3rd IF Amplifier
V7	6AU6	4th IF Amplifier
V8	12AT7	V8A Noise Limiter Inverter V8B Intercarrier Sound Amp.
V9	6BN6	Sound Limiter Detector
V10	6BF5	Audio Output
V11	12AU7	V11A 1st Video Amplifier V11B 2nd Video Amplifier
V12	6SN7GT	V12A AGC Amplifier V12B Horizontal Control
V13	6BN6	Sync Clipper
V14	6SN7GT	Vertical Oscillator
V15	6SN7GTA	Vertical Output
V16	6AL5	Phase Detector
V17	6SN7GT	V17A Horizontal Oscillator V17B Horizontal Discharge
V18	6BQ6GT	Horizontal Output
V19	6W4GT	Damper
V20	1B3/8016	High Voltage Rectifier
V21	5U4G	Low Voltage Rectifier
V22	5Y3GT	Low Voltage Rectifier
V23	16GP4	Picture Tube
V24	6BQ6GT	Horizontal Output

*Same as 24H20 except V23 is 19AP4A

SOUND ALIGNMENT

Proper alignment of the 4.5 Mc intercarrier sound channel can only be obtained if the signal to the receiver antenna terminals is reduced to a level below the limiting point of the 6BN6 Gated Beam Detector. This level can be easily identified by the "hiss" which then accompanies the sound.

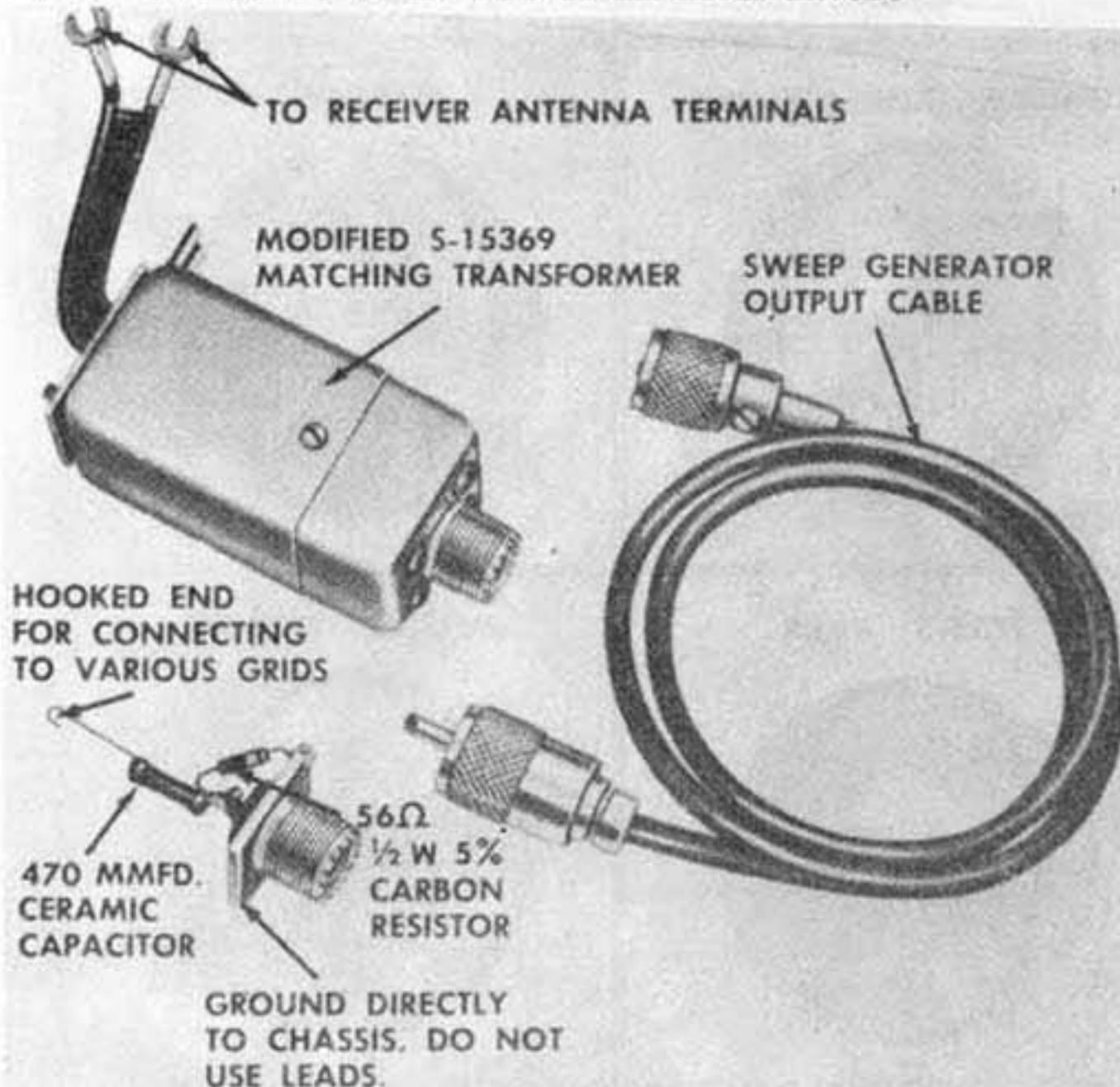
Various methods may be used to reduce the signal level, however, it is recommended that a S17203 step attenuator be used for most satisfactory results. To prevent leakage, certain precautions must be taken when connections are made. Use as short a lead as possible between the attenuator and receiver antenna terminals and approximately 6 feet of 300 ohm shielded line between the antenna transmission line and the attenuator. The shield from the transmission line should be connected to the attenuator and the attenuator itself grounded to the TV chassis under test.

After the connections are made, proceed as follows:

1. Tune in a tone modulated TV signal and adjust the step attenuator until the signal is reduced to a level where "hiss" is heard with the sound.

2. Adjust the sound take-off coil L60, input coil L57, quadrature coil L58 and buzz control R19 for the cleanest sound and minimum buzz. It must be remembered that any of these adjustments may cause the "hiss" to disappear and further reduction of the signal is necessary so that the "hiss" never disappears during alignment.

In weak signal areas, where the signal amplitude is not sufficient to cause limiting, the adjustments may be made without the use of an attenuator.



If intercarrier buzz is in evidence, after all normal sound adjustments have been made, the cause may be attributed to one or more of the following.

1. Improper adjustment of the AGC delay control.
2. Defective 12AT7 inverter-limiter tube.
3. Extremely high signal levels which require attenuation in the antenna circuit.
4. Transmitter overmodulation.

CALIBRATING THE OSCILLOSCOPE

When aligning RF-IF stages and when making AGC adjustments, it is necessary to measure detector peak output voltage. This may be done with an oscilloscope which has been calibrated with a known DC voltage. To calibrate any oscilloscope proceed as follows:

Connect the ground lead of the scope vertical input cable to the negative side of a 3 volt battery supply. Turn the horizontal gain control fully counter-clockwise. With the "hot" lead, make a momentary contact to the positive connection on the battery and observe the instantaneous spot deflection on the screen. Discharge the scope input capacitor by shorting out the leads and then repeat the procedure, each time readjusting the scope vertical gain until the spot deflects 3 large divisions on the screen. Each division will then represent 1 volt peak. The position of the vertical gain control must be noted for future reference.

IF ALIGNMENT

When aligning the 40 Mc IF, it is of utmost importance to keep the sweep generator connections as short as possible. (See Fig. 5). Clip the negative lead of a 4.5V battery to test point "A" and the positive lead to chassis. Connect the oscilloscope to the grid (Pin 7) of the 12AT7 limiter-inverter through a 10K isolation resistor. During alignment keep the output from the sweep generator at a level which develops approximately 3V peak output at the detector as viewed on the calibrated oscilloscope. It is important that the voltage be maintained at this 3V level.

After the bias and scope connections have been made and the receiver allowed a 15 minutes warm-up period, proceed as follows:

1. Feed the output from the sweep generator through a connector, as shown in Fig. 5, into the converter grid (terminal "F"). This terminal is immediately adjacent to the 6CB6 converter tube.

2. Remove oscillator tube V3 and switch channel selector to channel 12.

3. Adjust the IF transformers to obtain an overall pattern of maximum amplitude with linearity, similar to the illustration in Fig. 6. It will be noted that adjustment of L51, T1 and T3 will have maximum effect on the low frequency portion of the pattern (42.75 - 43.5 Mc) whereas adjustment of T2 and T4 will have

ADJUSTMENTS AND ALIGNMENT

FOCUS AND CENTERING ADJUSTMENTS

The 22H series receivers incorporate mechanical means of centering and focusing while the 24H series utilize mechanical centering and electrical focus.

The centering control lever is used for centering the picture both vertically and horizontally. An up-down movement of the lever moves the picture horizontally while a left-right movement shifts it vertically.

Complete focus, centering and beam bender adjustments are made as follows:

1. Loosen the deflection yoke adjustment locknut (See Fig. 4) and move the yoke as far as possible toward the front of the picture tube. Check for picture tilt and tighten locknut.
2. Adjust the magnet positioning screws until the assembly is approximately 1/8" from the yoke. Be certain that the focus coil sleeve is inserted inside the magnet assembly for proper mechanical centering of the picture tube.
3. Set the centering lever to a position where the locking screw is centered inside its slot.
4. Rotate and slide the beam bender along the neck of the tube for a raster of maximum brilliance. (The beam bender has an identifying arrow which must point towards the front of the picture tube when installed. On double ring type beam benders, the air gaps should be 180° removed with the heavier ring nearest the picture tube socket.)
5. Adjust the focus shunt ring (22H series only), or the focus control for sharpest picture definition.
6. With the centering lever, center the picture vertically and horizontally. A slight readjustment of the beam bender may be necessary to obtain a full raster of maximum brilliance.

After adjustments are made, tighten the centering lever locknut.

BULLS EYE TUNER ADJUSTMENTS

With an intercarrier receiver of this type, a VTVM cannot be effectively used as a resonance indicator when oscillator adjustments are made with the built-in wrench.

Satisfactory adjustments can be made by setting the fine tuning control in the center of its range, observing a test pattern and adjusting the oscillator for best sound and picture. It will be noted that tuning to one side of resonance results in a faded, washed-out picture with the spacings between the wedge lines fogged and tuning in the opposite direction causes the spaces

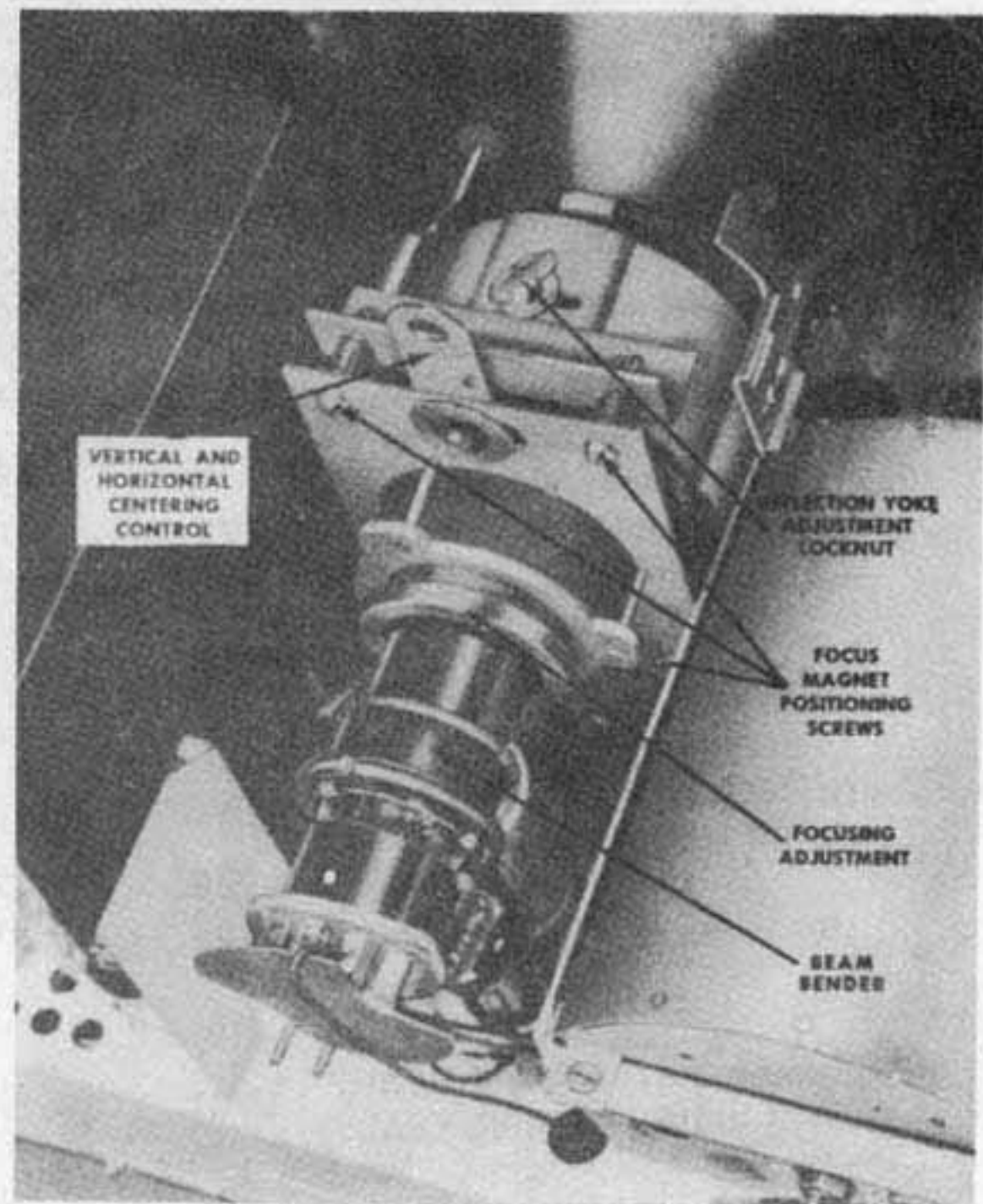


Fig. 4 Adjustments on Neck of Picture Tube.

between the lines to clear up. However, going beyond this point causes the picture to take on a "wormy" appearance from sound getting into the picture. Correct adjustment is obtained by tuning to the "wormy" picture and then backing the control off slightly until the picture clears up.

AFC ADJUSTMENTS

The AFC adjustment can effectively be made by setting the horizontal hold control (L74) to a position where it is virtually impossible to "throw" the receiver out of horizontal sync when switching from channel to channel.

AGC ADJUSTMENTS

Connect the calibrated oscilloscope through a 10K isolation resistor to the grid (Pin 7) of the 12AT7 limiter-inverter. Select the strongest TV signal and observe the deflection on the scope screen. Adjust the AGC delay control R50 for 2.5V peak output.

Satisfactory adjustment can also be made by observing the picture and backing off the AGC control from its maximum clockwise position to a point comfortably below the level of intercarrier buzz, picture distortion, improper sync or excessive contrast at maximum contrast setting.

CAUTION: Misadjustment of the AGC delay control can result in a washed-out picture, distorted picture, buzz in sound OR COMPLETE LOSS OF PICTURE AND SOUND.

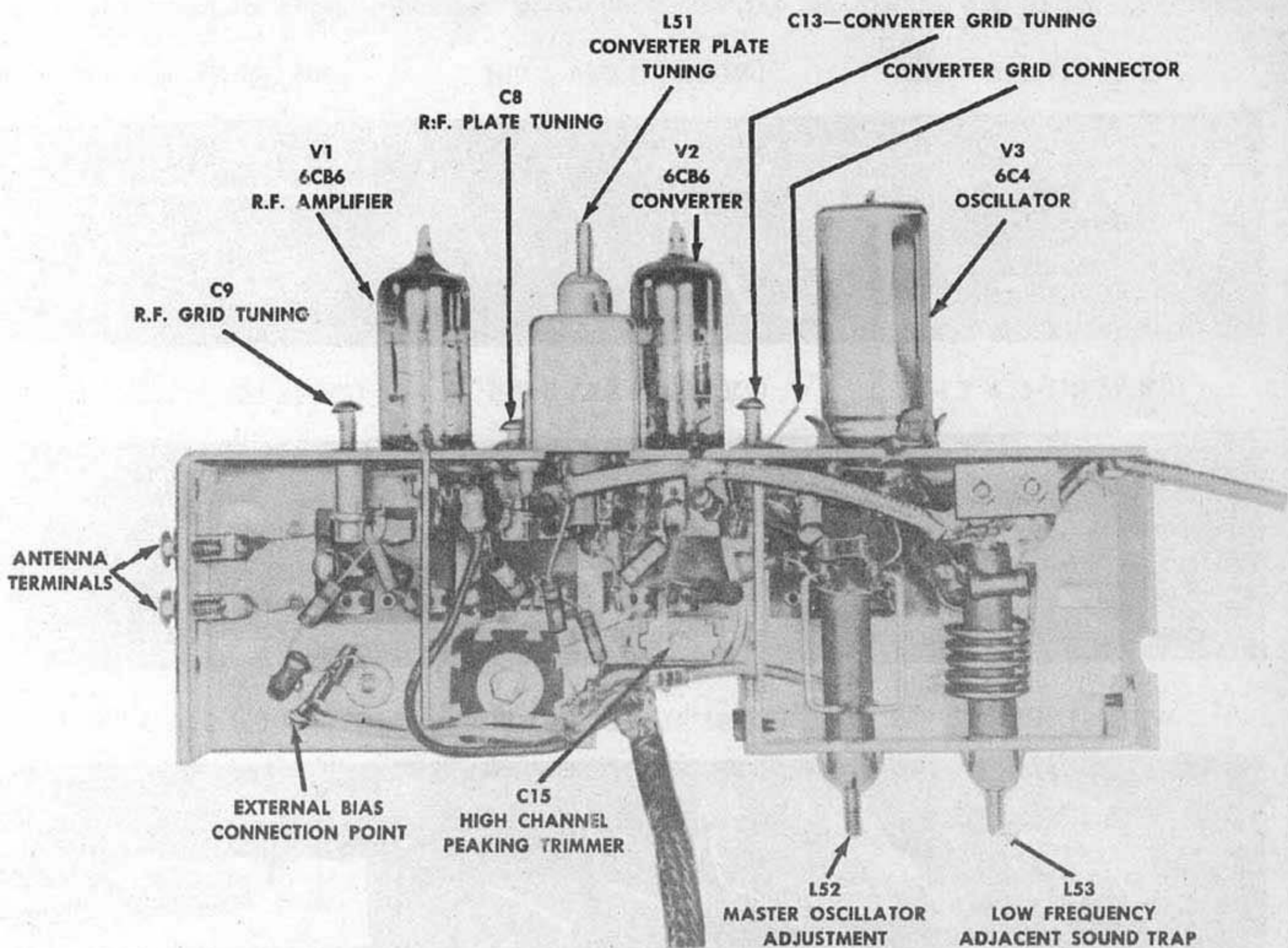


Fig. 7 RF Shelf

MASTER OSCILLATOR ALIGNMENT

The 6C4 master oscillator operates above the incoming frequency on the low channels (2-6) and below on the high channels (7-13). Slug L52 is used to pre-set the master oscillator on channel 7 since the channel 7 strip itself does not have an oscillator adjustment.

The master oscillator adjustment is to be made only if resonance cannot be obtained with the strip oscillator adjustment wrench when the fine tuning control is in its center position (open end of pulley on the RF shelf facing up) and after it has been determined that the channel strip itself is not at fault.

Although it is possible to set the master oscillator L52 by tuning in a station and alternating the master and strip oscillator adjustments until proper tuning results, the use of the Mega-Sweep and Mega-Marker Sr. is preferred. The Mega-Marker Sr. is provided

with crystals for the sound carrier frequencies of all 12 existing channels. The sound carrier frequencies can be used in adjusting the master oscillators, however, it is recommended that the Mega-Marker Sr. be equipped with a crystal for the picture carrier frequency for channel 7 (175.25 Mc). This crystal may be inserted into one of the extra positions and adjustments made as follows:

1. Connect the negative lead of a 4.5V battery to point "A" (See Fig. 20) and the positive lead to chassis.
2. Feed the signal generator through a S-15369 matching transformer to the antenna terminals of the receiver. Fig. 5.
3. Set the channel selector to channel 7 and turn the fine tuning control until the open end of the RF shelf pulley faces upward.

CHASSIS 22H20, 23H22,
23H22Z, 24H20, 24H21

maximum effect on the high frequency side (45.75 and 45 Mc.) T5 tilts the top and is adjusted to obtain best symmetry.

After the correct overall pattern is obtained, turn the channel selector to channel 2 and inject a 47.25 Mc marker into the sweep. Adjust the low channel adjacent sound trap L53 for minimum indication on

the scope or on a VTVM connected to the video detector.

4. Feed a 4.5 Mc crystal calibrated signal to terminal "C" Fig. 20 and connect the RF probe of a VTVM to the cathode (Pin 11) of the picture tube. Advance the contrast control for approximately 1 volt indication on the meter and adjust trap L63 for minimum indication.

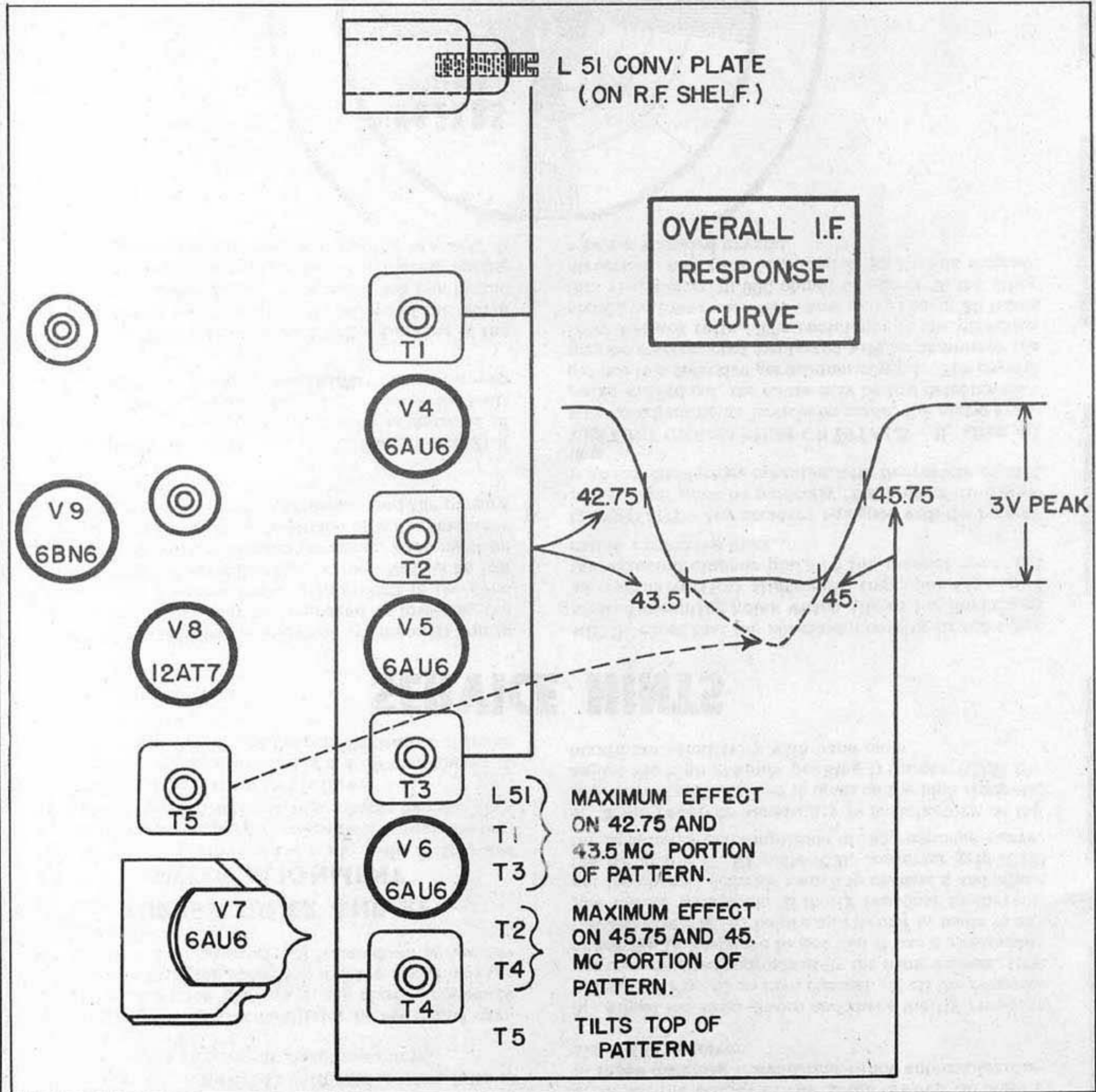
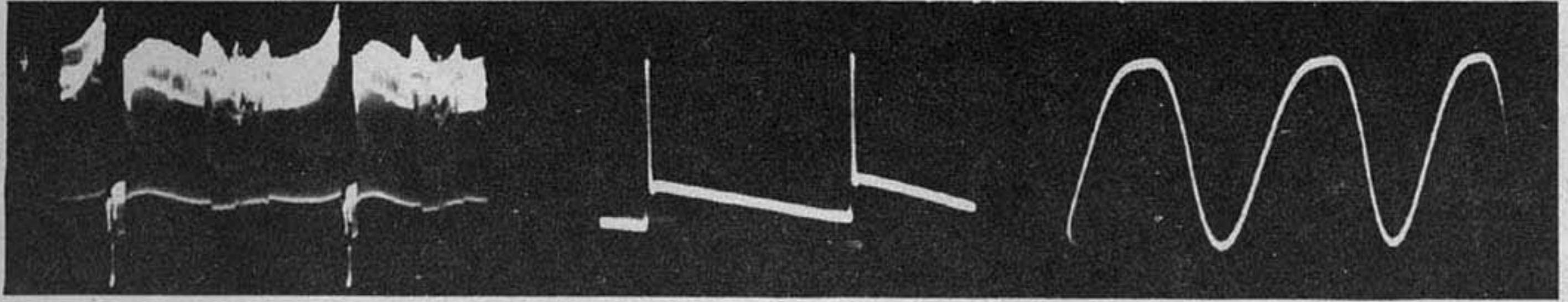


Fig. 6 IF Alignment Guide



Pins 7&8 V8A-Pin 6 V12A Pin
1 V11A (60 cps)

Pin 2 V14B (60 cps)

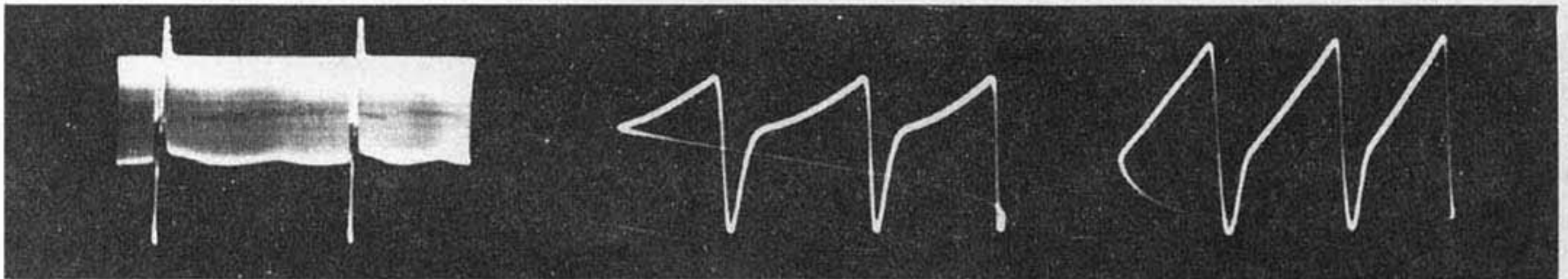
Pin 2 V12B (15.75 Kc)



Pin 6 V8A Pin 2 V11A Pin 6
V11B Pin 2 V13 Pin 11 V22

Pin 1 V14B (60 cps)

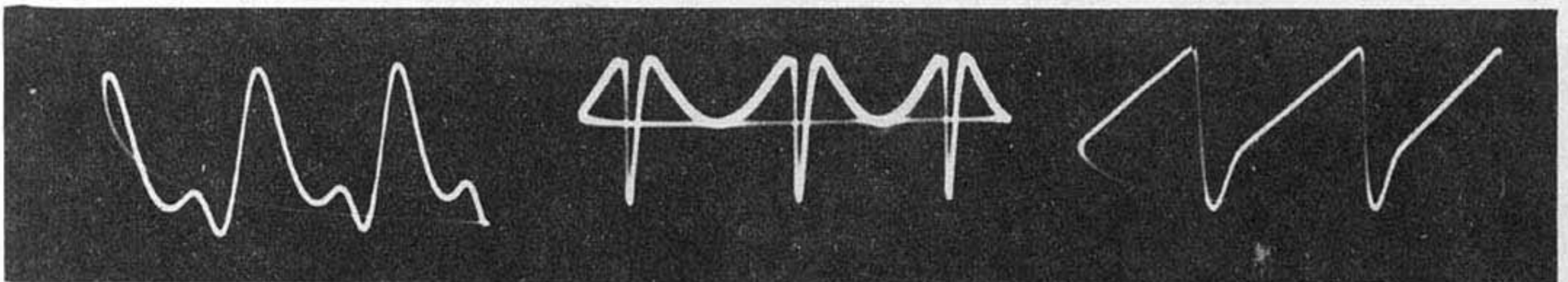
Pin 5 V16A (15.75 Kc)



Pin 7 V13 (60 cps)

Pin 1&5 V15 (15.75 Kc)

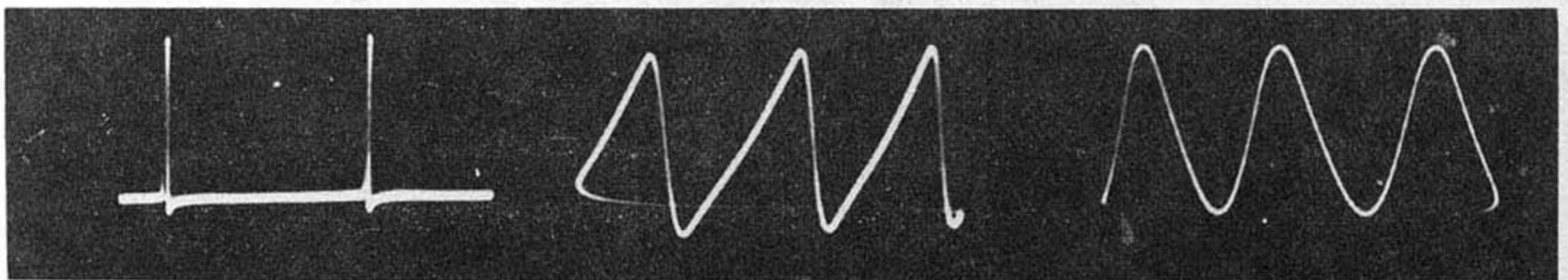
Pin 2 V16B (15.75 Kc)



Pin 5 V12A (15.75 Kc)

Pin 2 V15 (15.75 Kc)

Pin 5 V17 (15.75 Kc)



Pin 4 V14A (60 cps)

Pin 7 V15 (15.75 Kc)

Pin 8 V17 (15.75 Kc)

Fig. 8 Wave Forms 22H20 Chassis. Also representative for 23H22Z and 24H20-21 Chassis.

4. Adjust the sweep generator for an RF response curve (similar to Fig. 6). Set the Mega-Marker Sr. on channel 7 and observe the video marker on the response curve. Adjust L52 until this marker falls at approximately 50% on the response curve.

In adjusting the master oscillator on the sound carrier frequency for channel 7, the above procedure is followed, with the exception that the sound marker is placed at approximately 20 times down on the response curve.

TURRET TUNER AND RF SHELF ALIGNMENT

The RF shelf adjustments are made at the factory and normally do not require readjustment unless the unit has been tampered with. If adjustments become necessary, they are made as follows:

1. Connect the negative lead of a 4.5V bias supply to point "A" (See Fig. 20) and the positive lead to chassis.

Connect the oscilloscope through a 10K isolation resistor to terminal "C" and chassis.

2. Feed the output of the Mega-Sweep through a S-15369 matching transformer to the antenna terminals of the receiver.

3. Adjust the Mega-Sweep and check the RF response curve (See Fig. 6) on each channel. If all the response curves are tilted approximately the same amount, first check the IF response to see that it has a reasonably flat top (See Fig. 6) before an attempt is made to adjust the RF trimmers. If the IF response is correct, set the channel selector switch to channel 4 and adjust the RF grid (C9), RF plate (C8), converter grid (C13) for symmetry and amplitude of the response curve.

4. If the receiver sensitivity is satisfactory on the low channels (2 to 6) and is down on the high channels, adjust the high channel peaking trimmer (C15) for maximum sensitivity with band pass.

SERVICE HINTS

FRINGE RECEPTION - Vertical synchronization in weak signal areas may be improved by lowering the value of the resistor in the grid circuit of the sync clipper from its normal 1 Meg. value. Values as low as 10,000 ohms may be used, however, care must be exercised as too great a reduction of this resistance may introduce horizontal distortion into the picture on some signals.

POOR VERTICAL LINEARITY - (22H20 - 23H22Z) If this condition cannot be corrected by adjustment of the vertical linearity and height adjustments, the fault will probably lie in a defective 6BL7GT vertical sweep tube.

S-17268 REMOTE CONTROL UNIT - Locking of the manual control can be caused by failure of the worm drive gear to disengage. This condition can be the result of a weak solenoid armature actuating spring or misalignment of the magnet mounting bracket. It

will be noted that the solenoid mounting bracket has slotted mounting holes which allows for horizontal as well as vertical alignment. Improper seating of the solenoid clapper plate on the magnet core will cause excessive buzz.

IMPORTANT: Any receiver equipped with the remote control unit must be perfectly "bulls eyed" to insure its most satisfactory operation with the remote control unit.

TESTING GERMANIUM CRYSTALS - If, after all normal adjustments have been made, the picture appears washed out, the cause may be low detector output due to a defective germanium crystal. The crystal may be disconnected and tested with an ohmmeter for front-to-back ratio. The resistance in one direction should be lower than 400 ohms and at least 25 times this resistance (10,000 ohms) or higher in the other direction. Any ratio less than 25 to 1 would indicate a below standard crystal.



Rectangular Screen Models properly adjusted on Test Pattern.

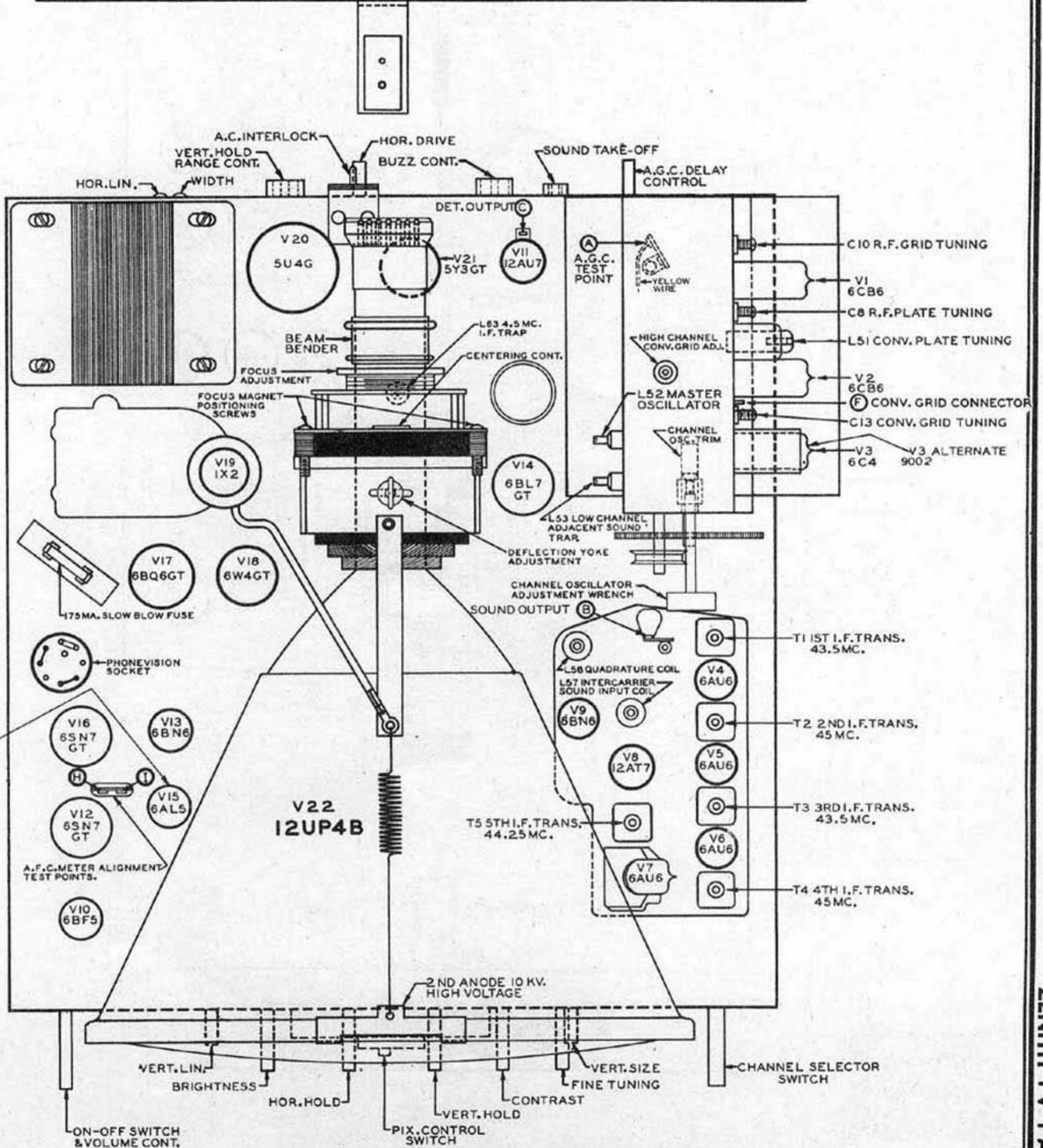
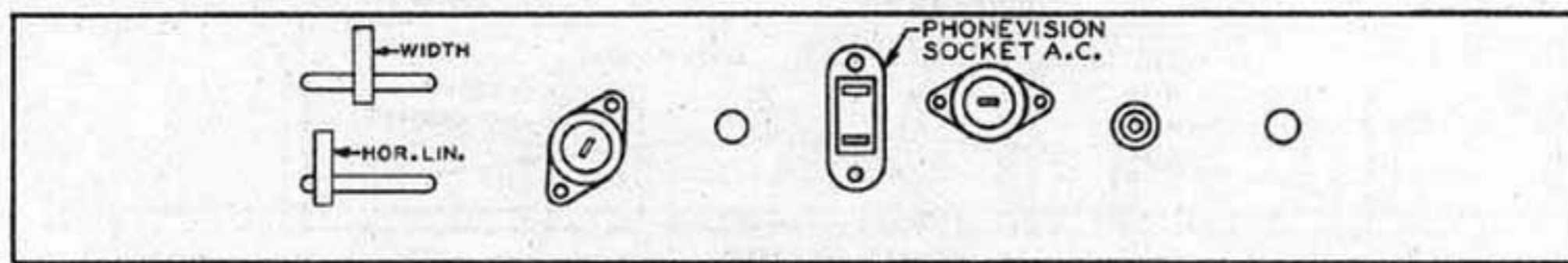


Fig. 10 Tube and Trimmer Layout 22H20 Chassis.

CHASSIS 22H20, 23H22,
23H22Z, 24H20, 24H21

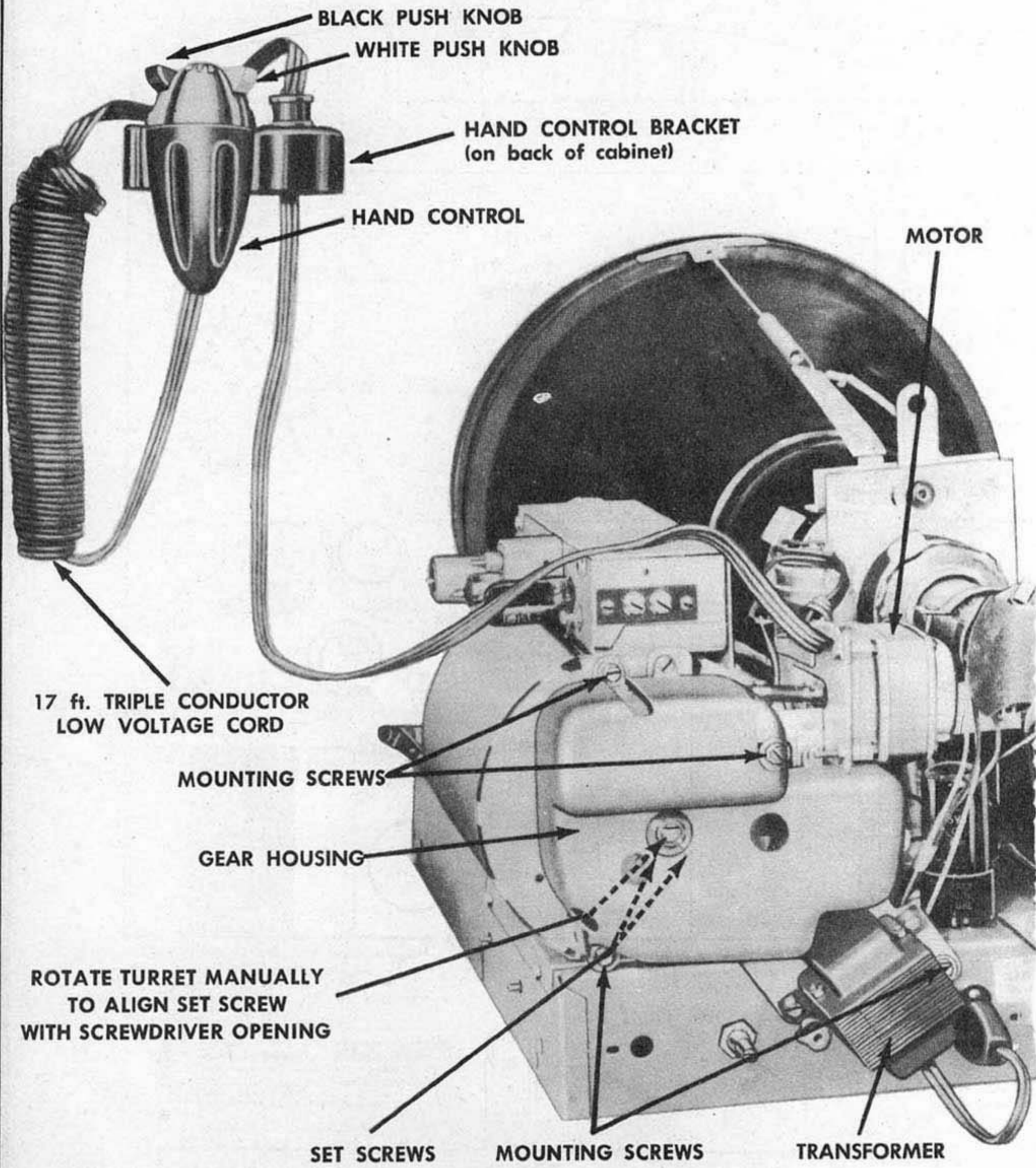


Fig. 9 Remote Control Unit.

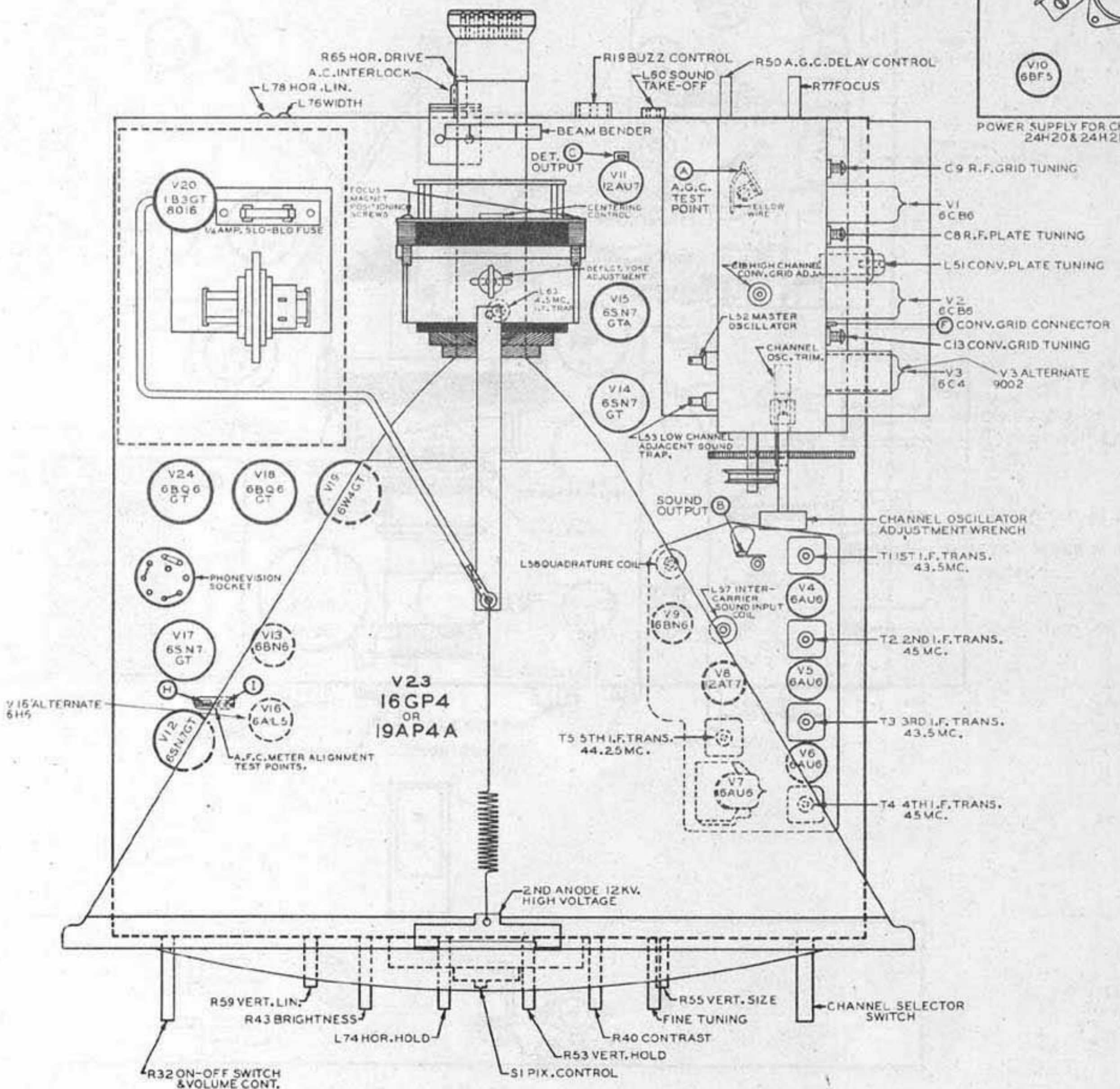
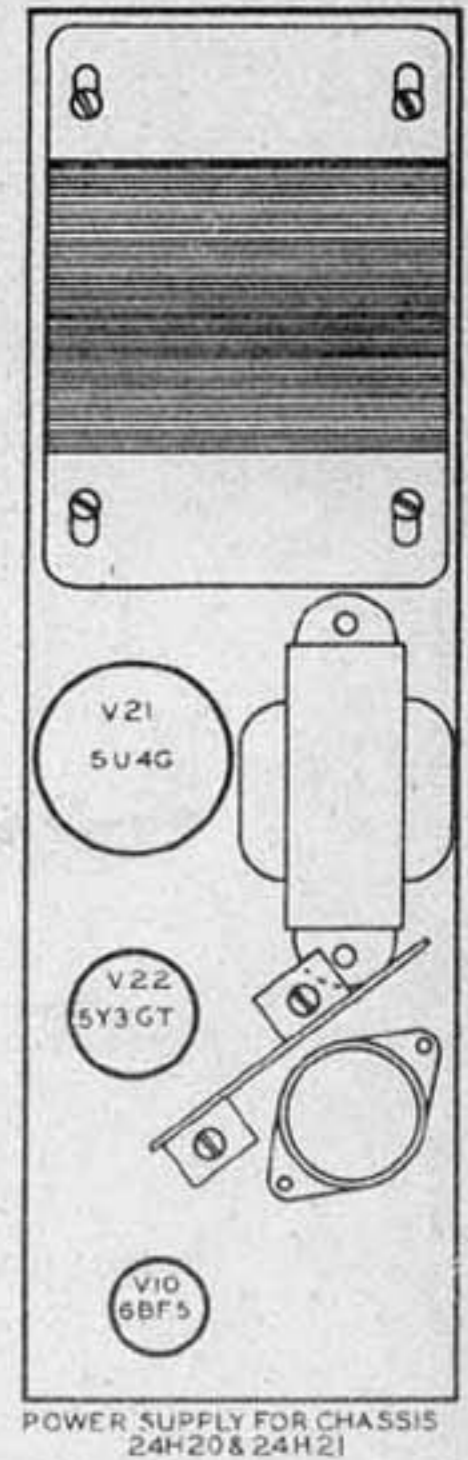
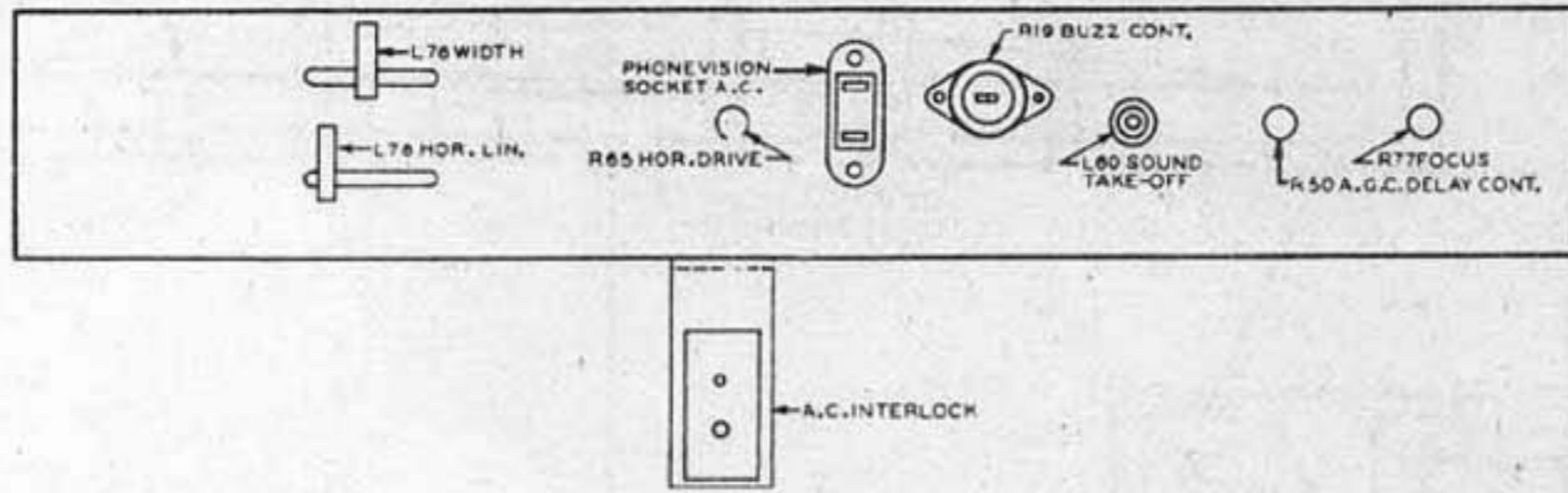
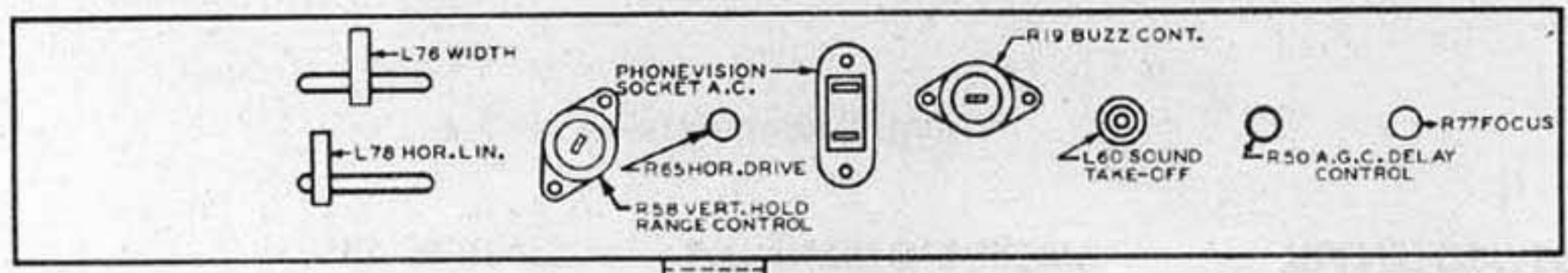


Fig. 12 Tube and Trimmer Layout 24H20-21 Chassis.



NOTE:
THE DIFFERENCE BETWEEN CHASSIS 23H22 AND 23H22Z ARE:
 ① PIX. TUBE 16TP4 USED ON CHASSIS 23H22Z ONLY.
 ② PIX. TUBE 17BP4 USED ON CHASSIS 23H22 ONLY.
 ③ L83 S-17290 EM-PM FOCUS COIL USED ON 23H22 ONLY.
 ④ L83 CHANGES TO L81 S-17230 EM-PM FOCUS COIL FOR CHASSIS 23H22Z ONLY.

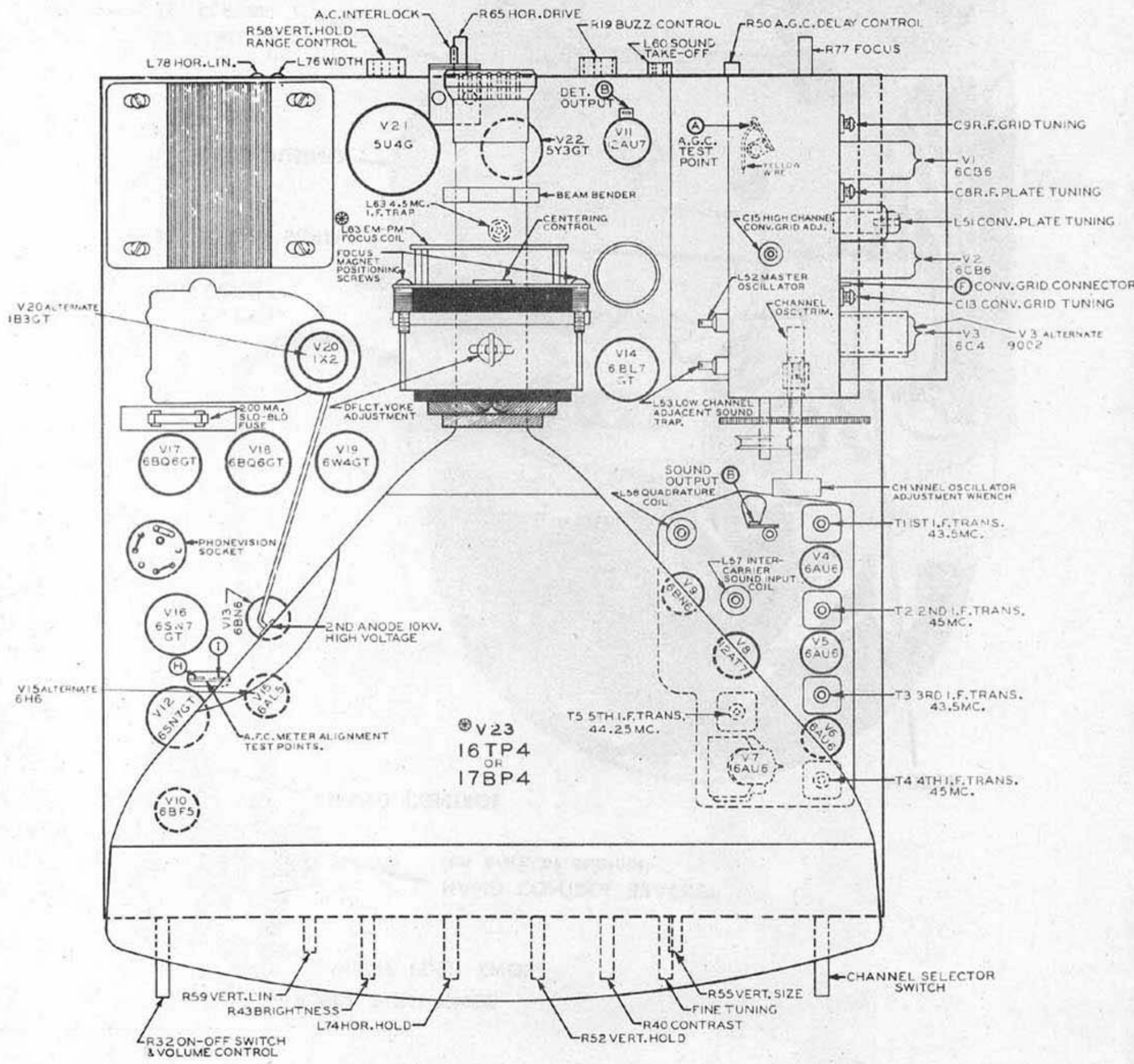
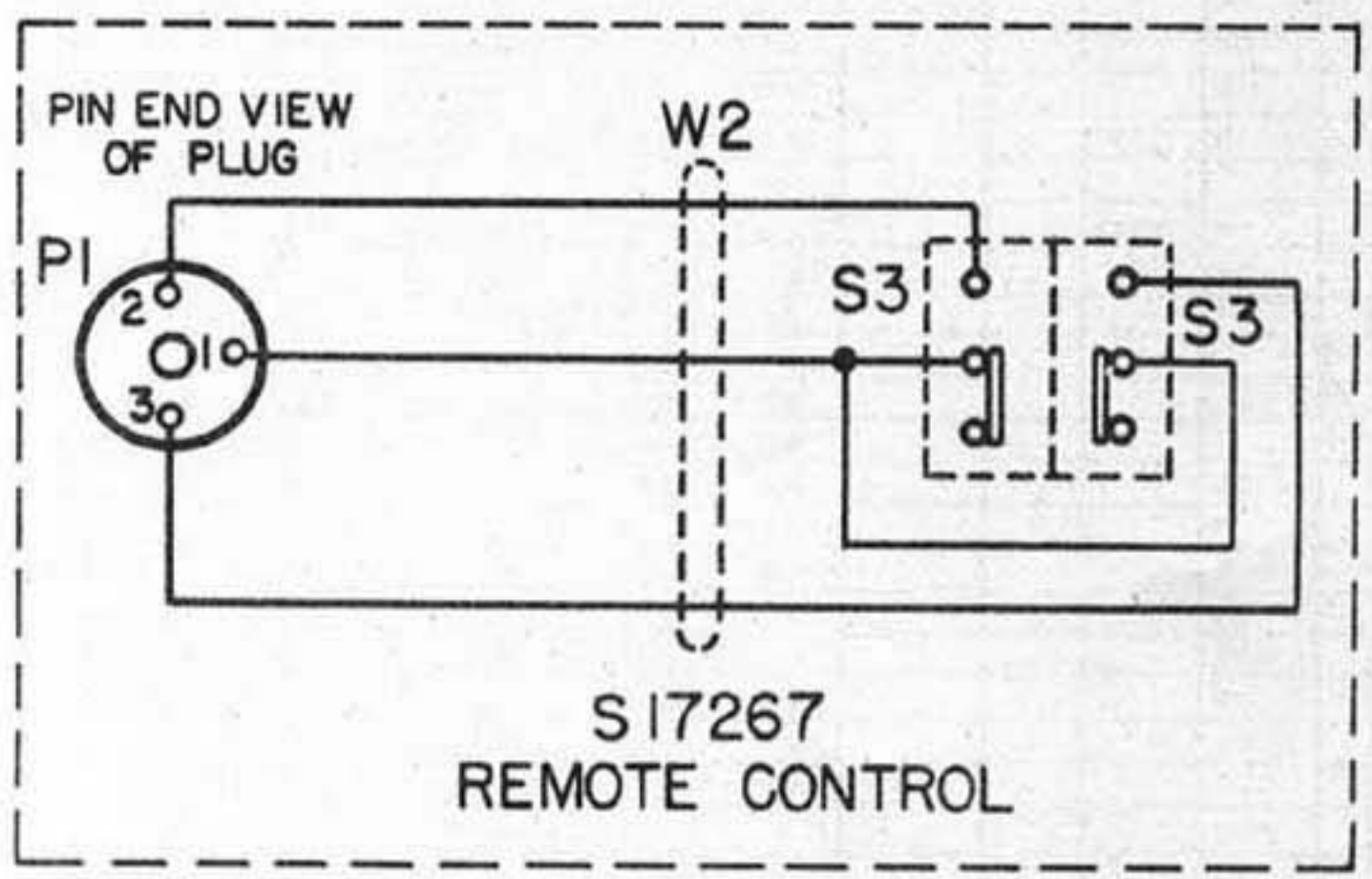
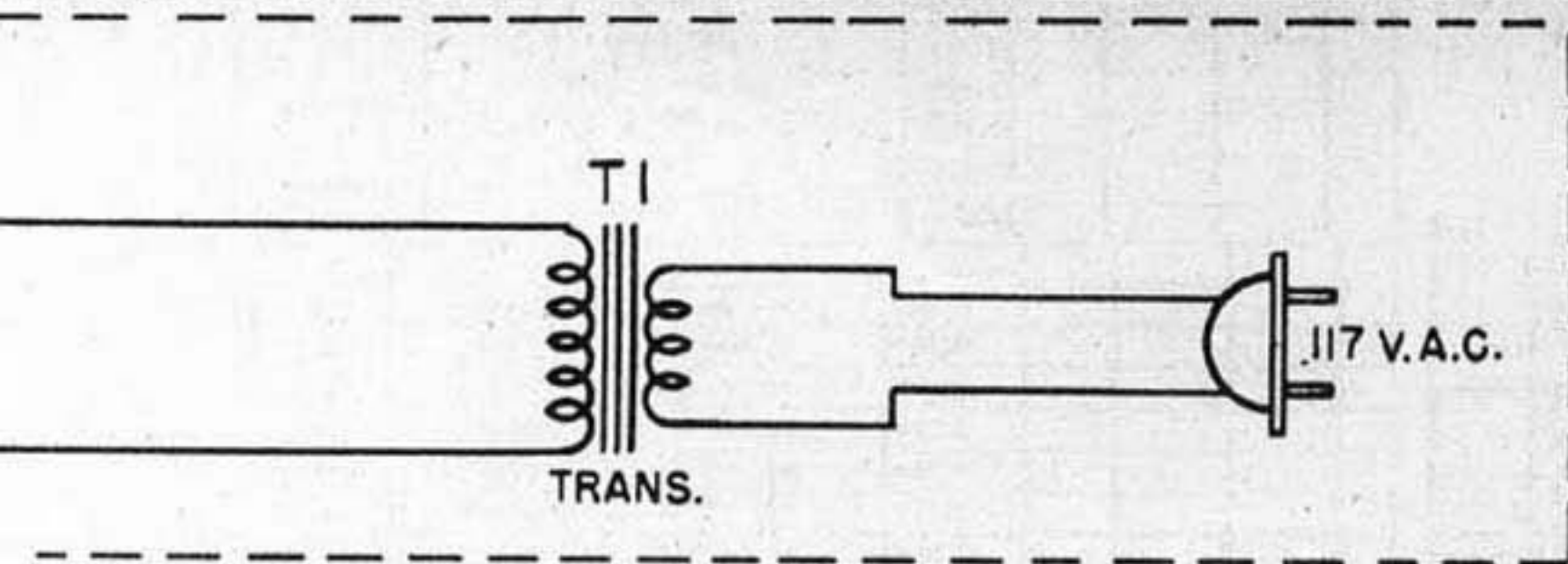


Fig. 11 Tube and Trimmer Layout 23H22Z Chassis.



ITEM	PART NO.	DESCRIPTION
A1	141-130	27 V.A.C. MOTOR
C1	22-2252	130 MFD ELECTRO.40V.A.C.
S1	20-332	ELECTRO-MAGNET
S3	85-492	CONTROL SWITCH
T1	95-1255	TRANSFORMER
W1	S-17324	CABLE ASSEMBLY
W2	52-596	CABLE & PLUG ASSEM.
P1	58-194	MINIATURE PLUG
P2	78-901	MINIATURE SOCKET

Control Tuner.

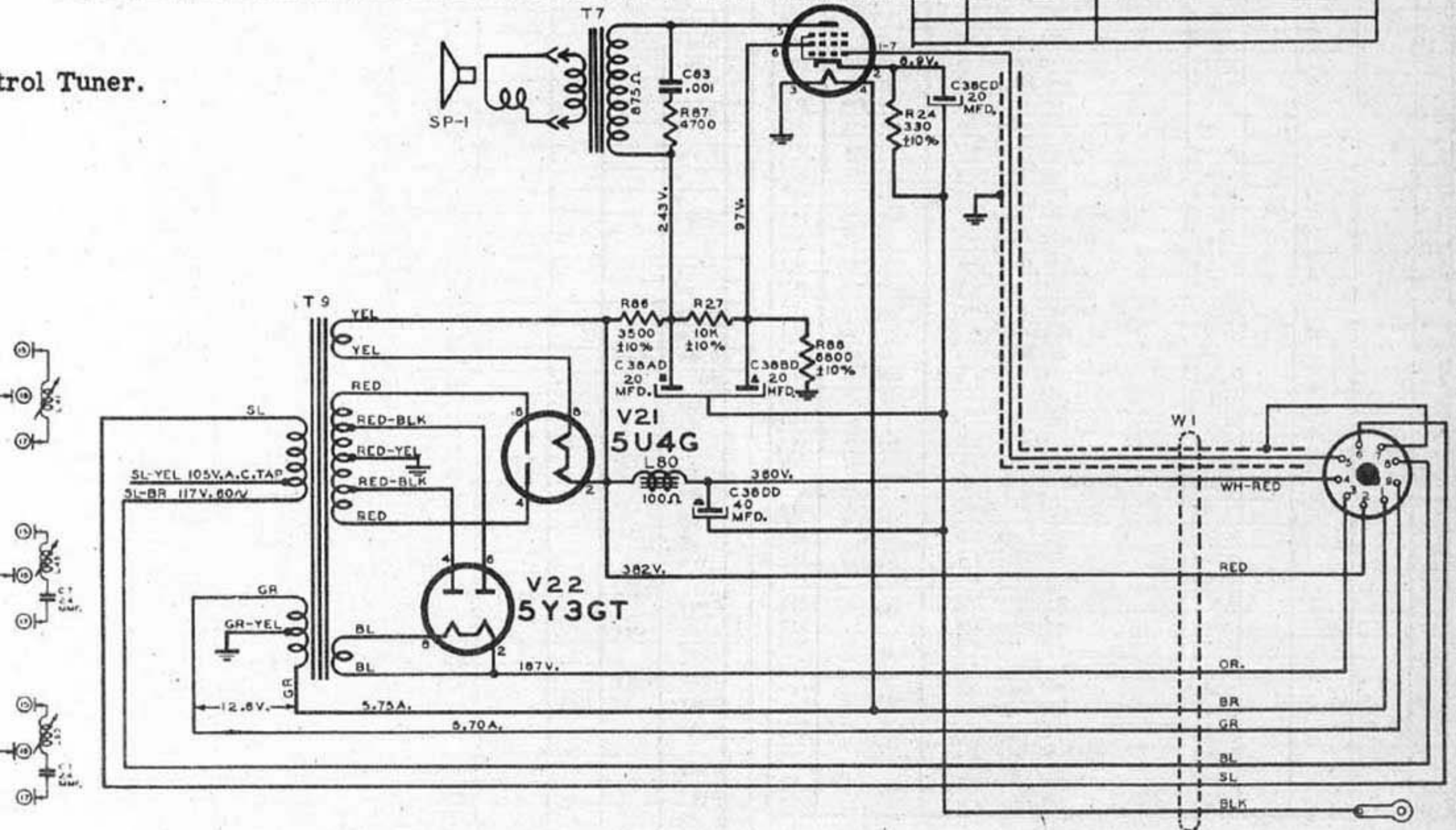


Fig. 16 Power Supply For 24H20-21 Chassis.

L81	S-17230	Em. - PM. Focus coil			C
L82	S-17173	Antenna coil assembly	ABC		
L83	S-17290	EM. - PM. Focus coil			B
L84	S-16984	Filament choke assembly		ABCD	
L85	S-17505	Inverter plate peaking assembly	ABC		
L86	IN T15	1/2 Vertical deflection coil			D
L87	IN T15	1/2 Vertical deflection coil			D
L88	IN T15	1/2 Horiz. deflection coil			D
L89	IN T15	1/2 Horiz. deflection coil			D
L90	IN T19	1/2 Vertical deflection coil			B
L91	IN T19	1/2 Vertical deflection coil			B
L92	IN T19	1/2 Horiz. deflection coil			B
L93	IN T19	1/2 Horiz. deflection coil			B
L94	95-1271	Filter choke			D
L95	S-17861	EM-FM Focus coil			D
T18	S-17435	Horiz. sweep transformer			D
T17	95-1260	Power transformer			D
T16	S-17233	Horiz. sweep transformer			CB
T15	95-1263	Deflection yoke			BD
T14	S-17130	Horiz. sweep transformer			A
T13	95-1246	Deflection yoke			C
T12	95-1241	Deflection yoke			A
T11	95-1240	Vertical output transformer			BC
T10	95-1239	Vertical output transformer			AD
T9	95-1245	Power transformer			BC
T8	95-1242	Power transformer			A
T7	95-1247	Output transformer			BC
T6	95-1238	Output transformer			AD
T5	S-17613	5th Video I.F. transformer	ABCD		
T4	S-16605	4th Video I.F. transformer	ABCD		
T3	S-16604	3rd Video I.F. transformer	ABCD		
T2	S-16275	2nd Video I.F. transformer	ABCD		
T1	S-16274	1st Video I.F. transformer	ABCD		

"A" INDICATES CHASSIS 22H20
 "B" INDICATES CHASSIS 24H21
 "C" INDICATES CHASSIS 24H20
 "D" INDICATES CHASSIS 23H22

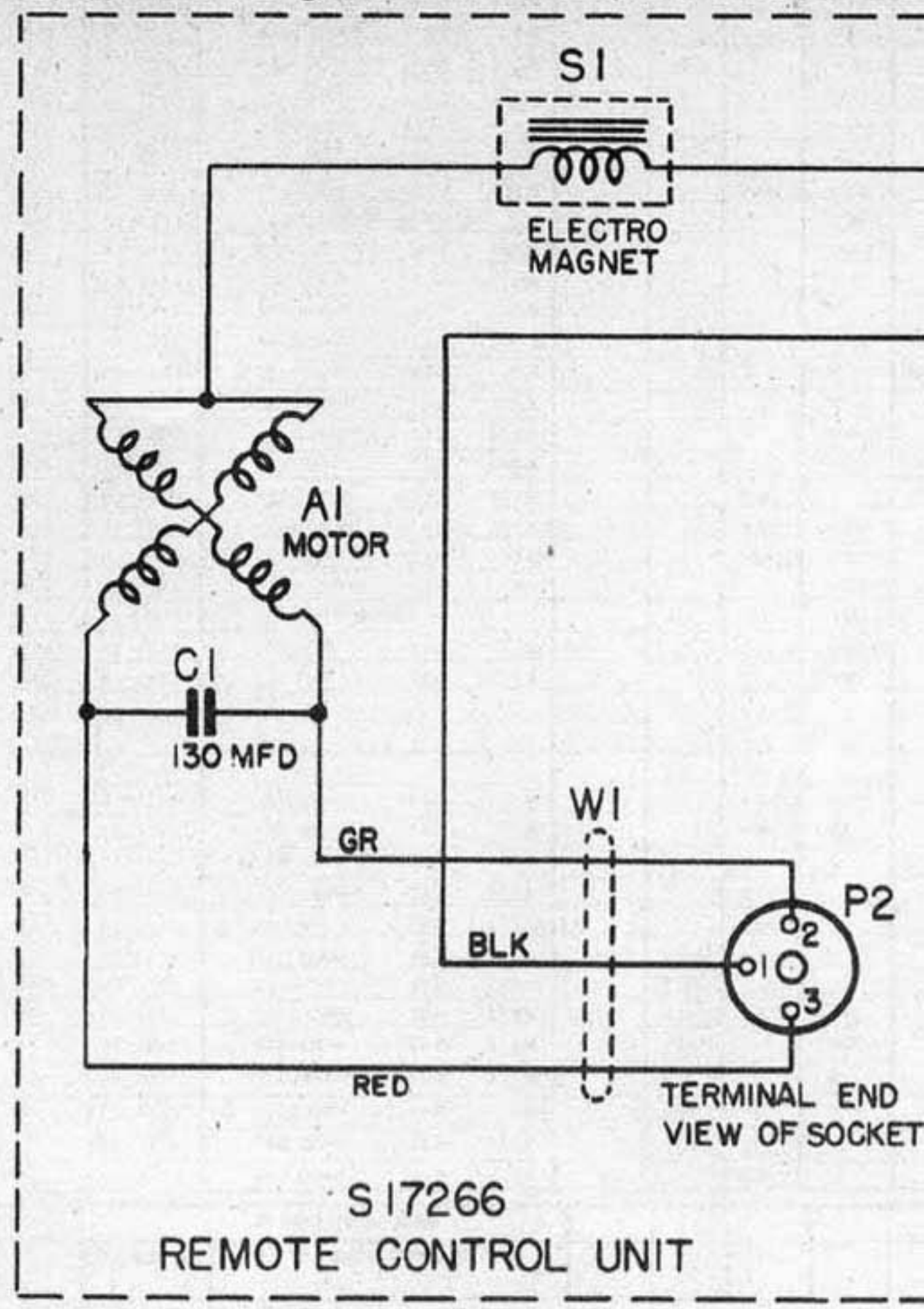
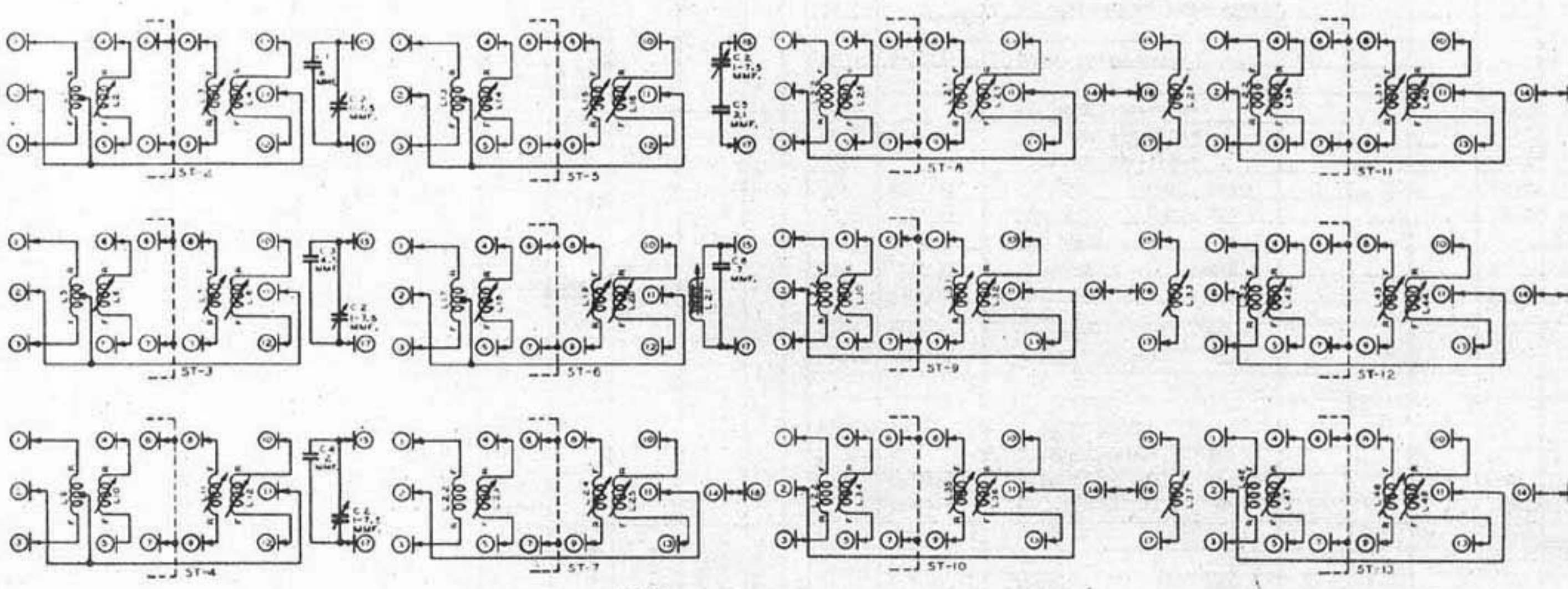
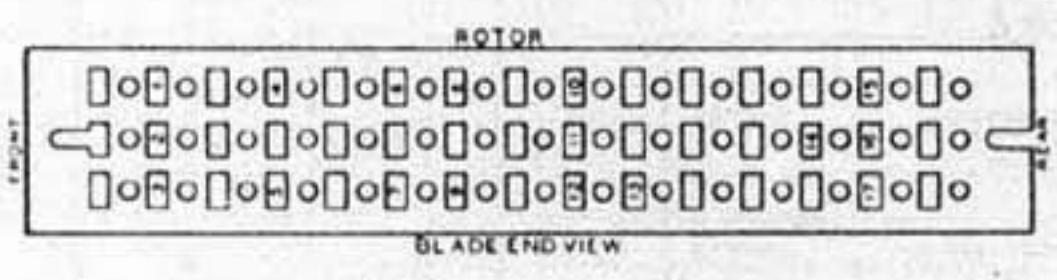


Fig. 14 Schematic Diagram Remote Control Unit



NOTES:
 'F' DENOTES FRONT
 'R' DENOTES REAR

Fig. 15 Channel Strips S-17100 Turret Tuner.

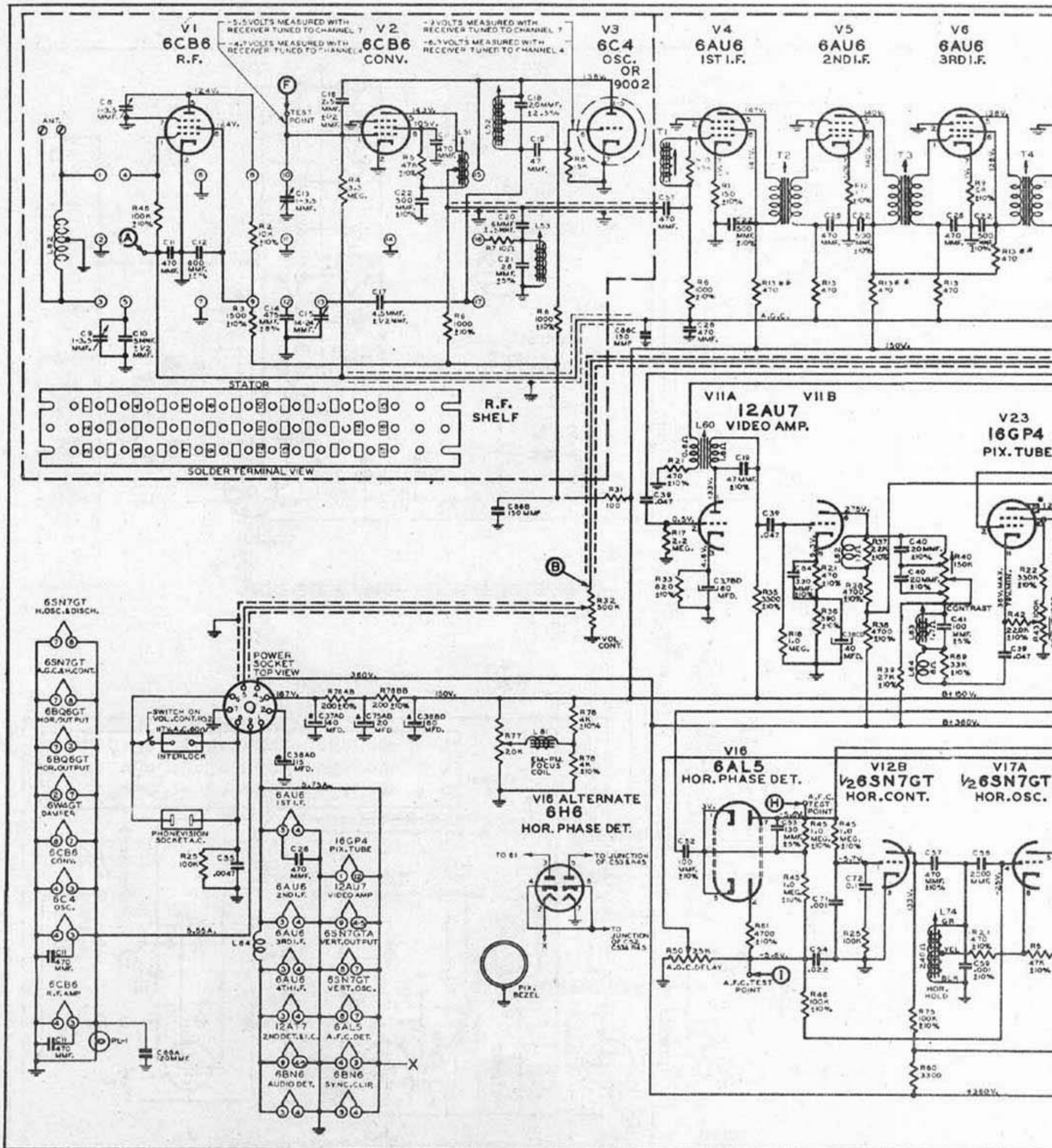
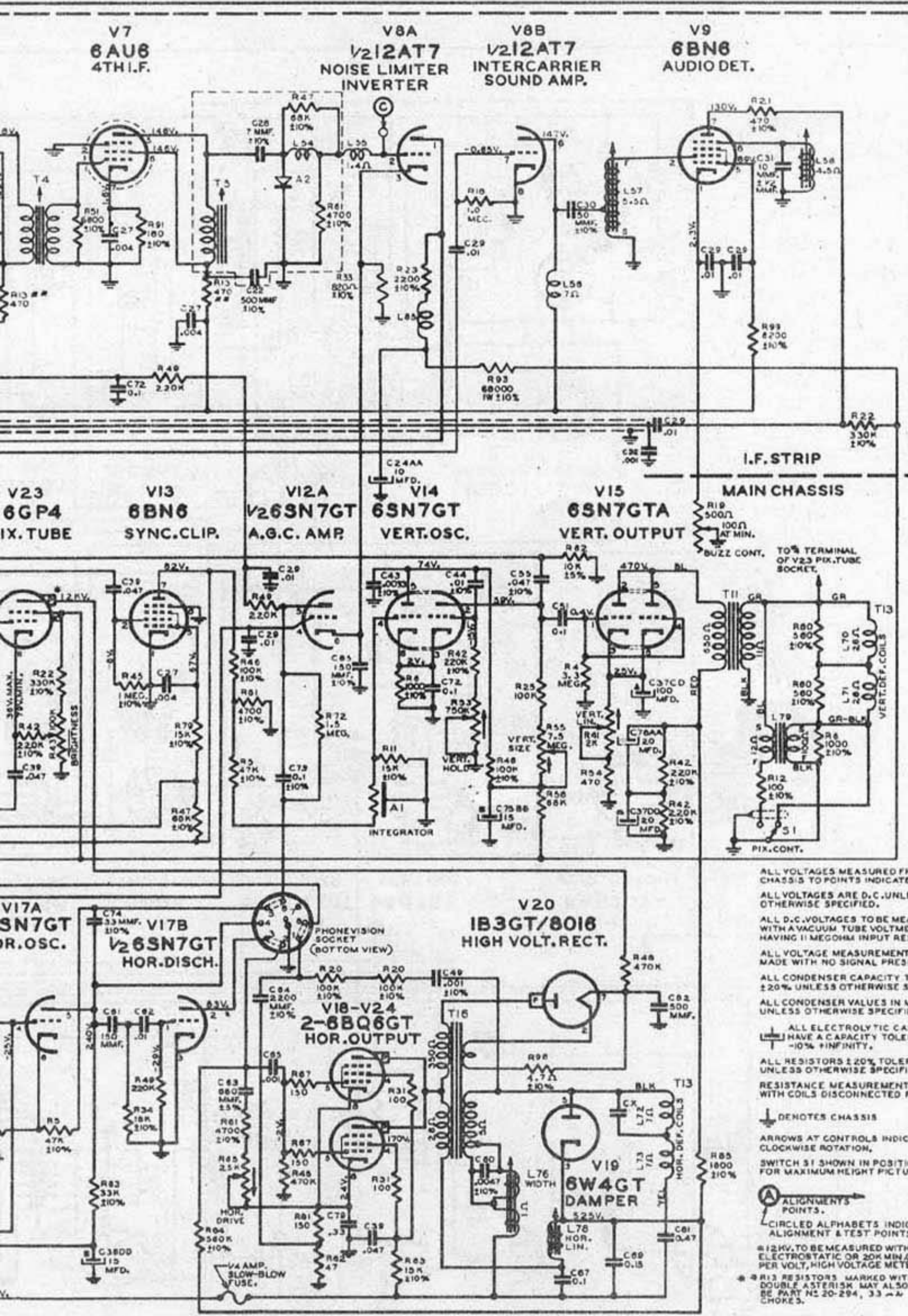


Fig. 17 Schematic Diagram 24H20 Chassis.



ALL VOLTAGES MEASURED FROM CHASSIS TO POINTS INDICATED.

ALL VOLTAGES ARE D.C. UNLESS OTHERWISE SPECIFIED.

ALL D.C. VOLTAGES TO BE MEASURED WITH A VACUUM TUBE VOLTMETER HAVING 11 MEGOHM INPUT RESISTANCE.

ALL VOLTAGE MEASUREMENTS TO BE MADE WITH NO SIGNAL PRESENT.

ALL CONDENSER CAPACITY TOLERANCES ±20% UNLESS OTHERWISE SPECIFIED.

ALL CONDENSER VALUES IN MICROFARADS UNLESS OTHERWISE SPECIFIED.

ALL ELECTROLYTIC CAPACITORS HAVE A CAPACITY TOLERANCE OF -10% INFINITY.

ALL RESISTORS ±20% TOLERANCE UNLESS OTHERWISE SPECIFIED.

RESISTANCE MEASUREMENTS SHOWN WITH COILS DISCONNECTED FROM CIRCUIT.

⊥ DENOTES CHASSIS

ARROWS AT CONTROLS INDICATE CLOCKWISE ROTATION.

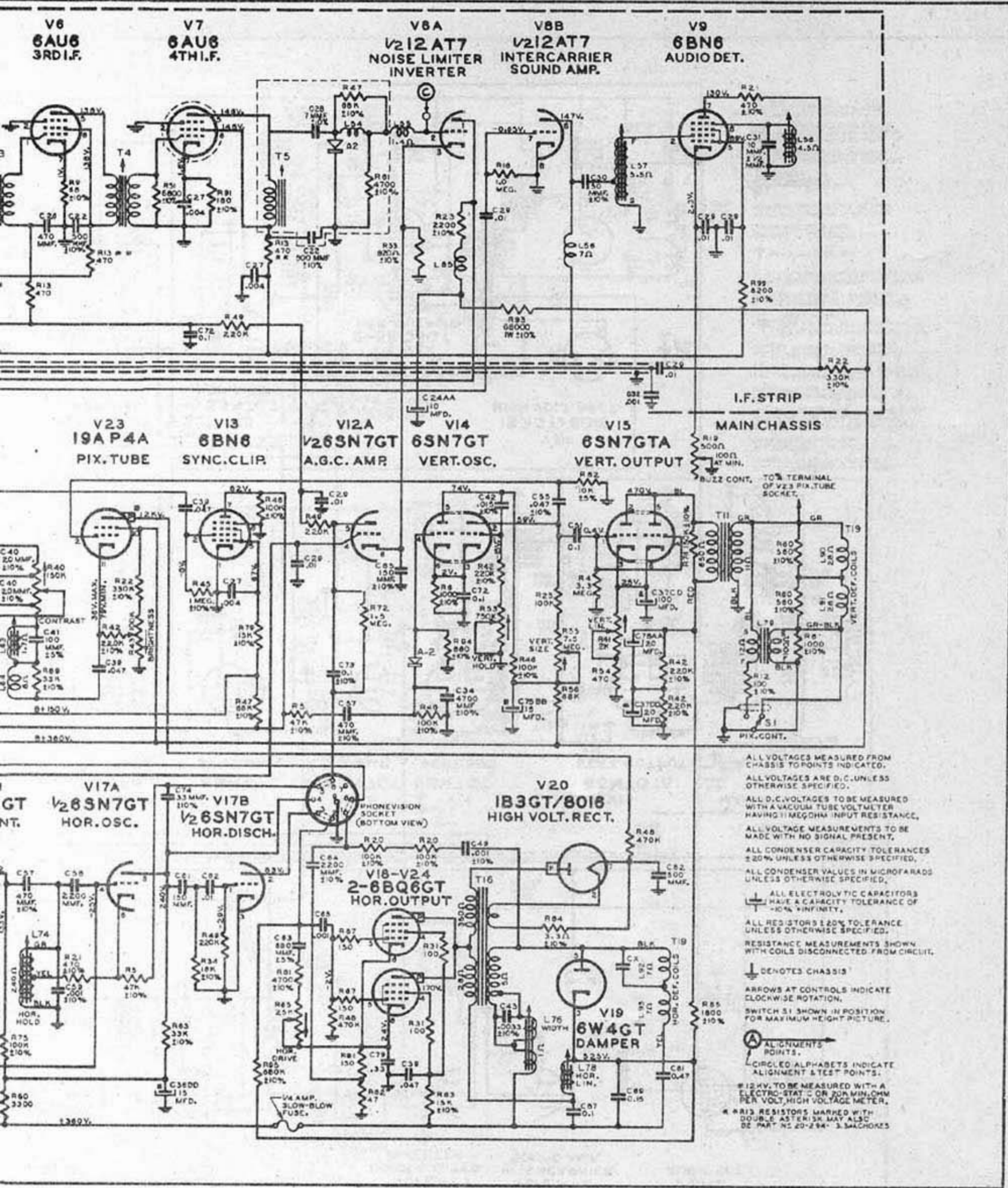
SWITCH S1 SHOWN IN POSITION FOR MAXIMUM HEIGHT PICTURE.

Ⓐ ALIGNMENT POINTS.

Ⓒ CIRCLED ALPHABETS INDICATE ALIGNMENT & TEST POINTS.

12KV. TO BE MEASURED WITH ELECTROSTATIC OR 20K MIN. OHM PER VOLT, HIGH VOLTAGE METER.

* R13 RESISTORS MARKED WITH DOUBLE ASTERISK MAY ALSO BE PART NO. 20-294, 33-42 CHOKES.



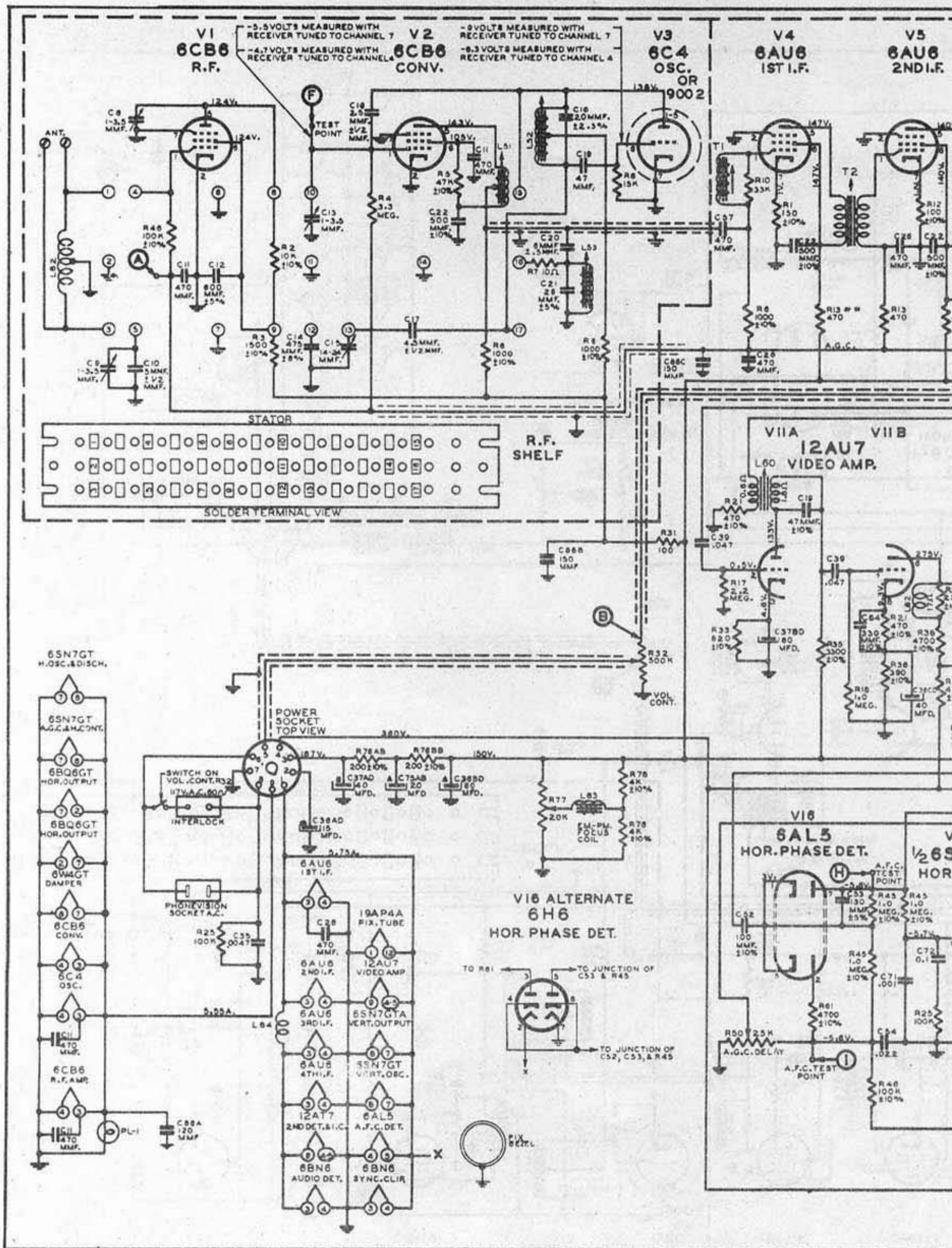


Fig. 18 Schematic Diagram 24H21 Chassis.

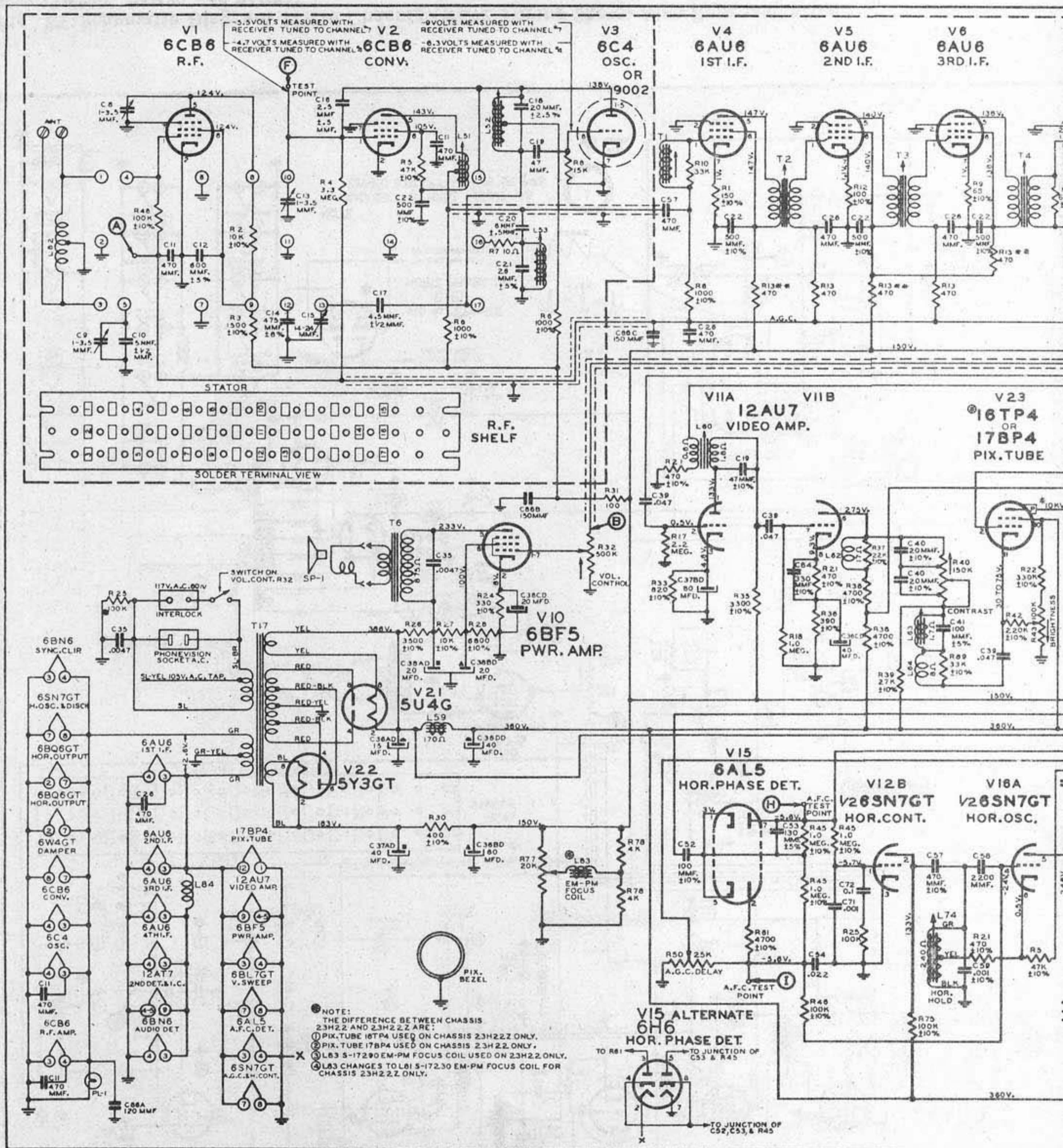
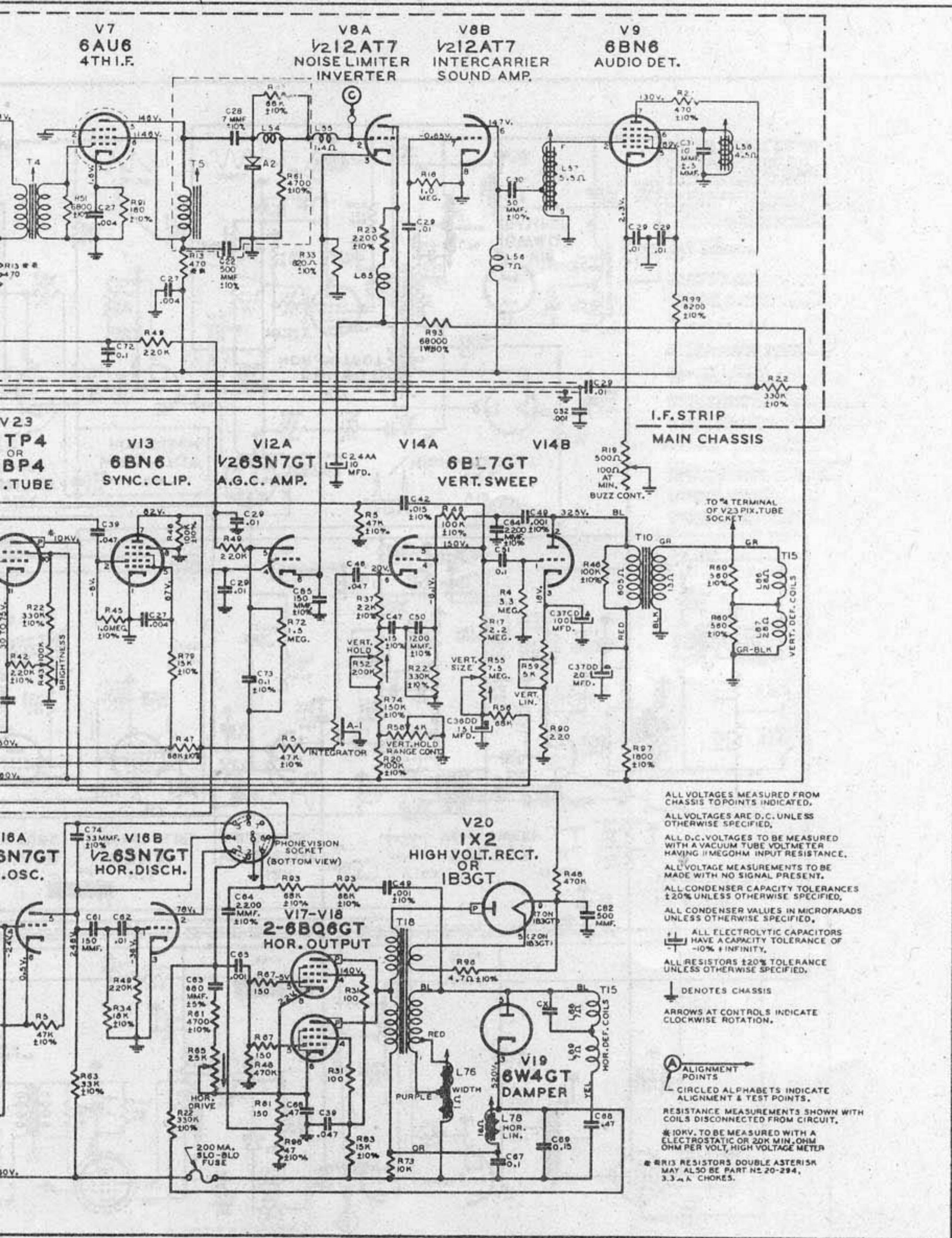


Fig. 19. Schematic Diagram, Chassis 23H22 and 23H22Z.
Chassis 23H22Z same as 23H22 except for picture tube.



ALL VOLTAGES MEASURED FROM CHASSIS TO POINTS INDICATED.

ALL VOLTAGES ARE D.C. UNLESS OTHERWISE SPECIFIED.

ALL D.C. VOLTAGES TO BE MEASURED WITH A VACUUM TUBE VOLTMETER HAVING 11 MEGOHM INPUT RESISTANCE.

ALL VOLTAGE MEASUREMENTS TO BE MADE WITH NO SIGNAL PRESENT.

ALL CONDENSER CAPACITY TOLERANCES ±20% UNLESS OTHERWISE SPECIFIED.

ALL CONDENSER VALUES IN MICROFARADS UNLESS OTHERWISE SPECIFIED.

ALL ELECTROLYTIC CAPACITORS HAVE A CAPACITY TOLERANCE OF -10% ± INFINITY.

ALL RESISTORS ±20% TOLERANCE UNLESS OTHERWISE SPECIFIED.

⊥ DENOTES CHASSIS

ARROWS AT CONTROLS INDICATE CLOCKWISE ROTATION.

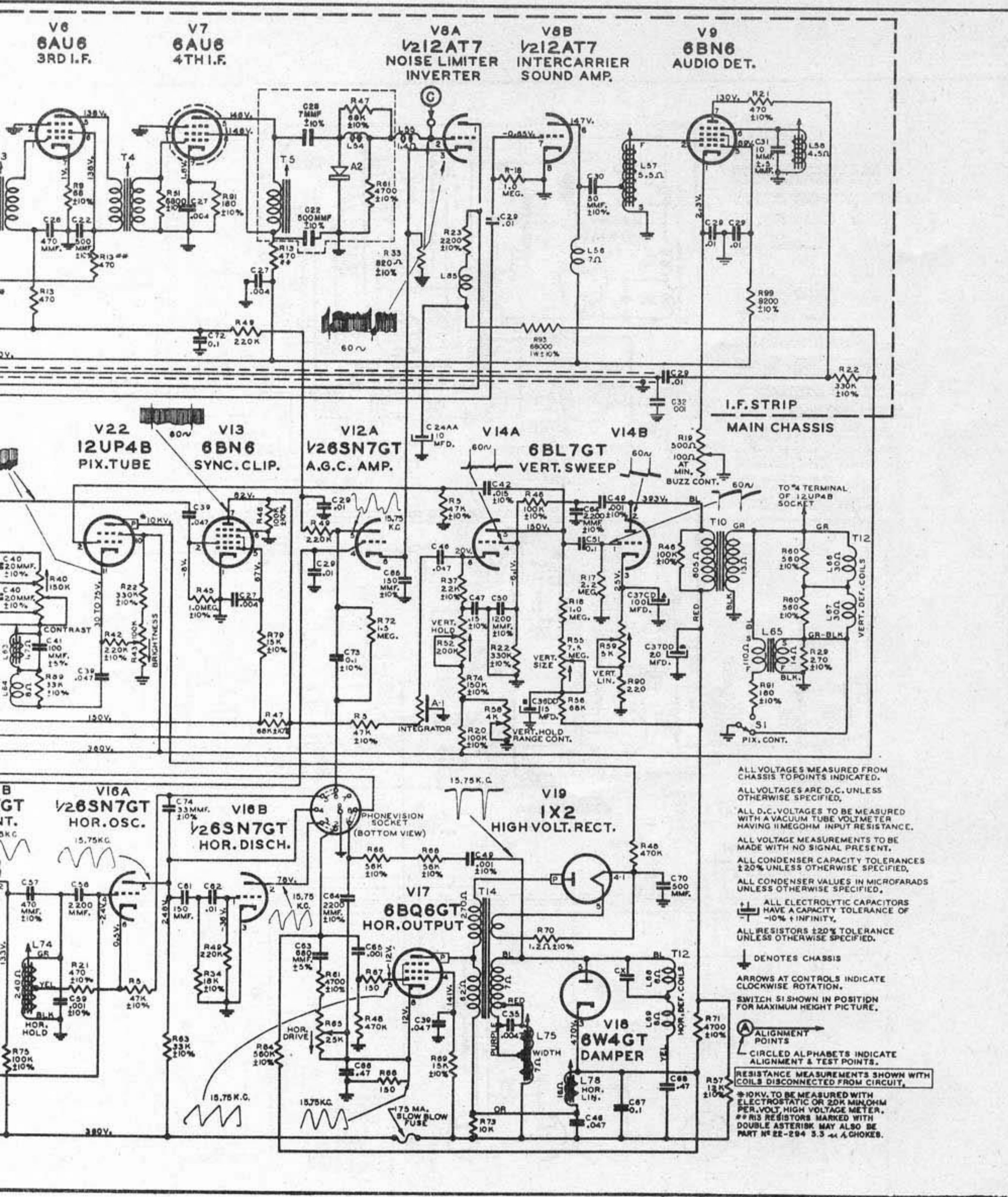
ⓐ ALIGNMENT POINTS

ⓐ CIRCLED ALPHABETS INDICATE ALIGNMENT & TEST POINTS.

RESISTANCE MEASUREMENTS SHOWN WITH COILS DISCONNECTED FROM CIRCUIT.

* 10KV. TO BE MEASURED WITH AN ELECTROSTATIC OR 20K MIN. OHM OHM PER VOLT, HIGH VOLTAGE METER

* RR15 RESISTORS DOUBLE ASTERISK MAY ALSO BE PART # 20-294, 3.3 A. CHOKES.



ALL VOLTAGES MEASURED FROM CHASSIS TO POINTS INDICATED.
 ALL VOLTAGES ARE D.C. UNLESS OTHERWISE SPECIFIED.
 ALL D.C. VOLTAGES TO BE MEASURED WITH A VACUUM TUBE VOLTMETER HAVING 11 MEGOHM INPUT RESISTANCE.
 ALL VOLTAGE MEASUREMENTS TO BE MADE WITH NO SIGNAL PRESENT.
 ALL CONDENSER CAPACITY TOLERANCES ±20% UNLESS OTHERWISE SPECIFIED.
 ALL CONDENSER VALUES IN MICROFARADS UNLESS OTHERWISE SPECIFIED.
 ALL ELECTROLYTIC CAPACITORS HAVE A CAPACITY TOLERANCE OF -10% ± INFINITY.
 ALL RESISTORS ±20% TOLERANCE UNLESS OTHERWISE SPECIFIED.
 ↓ DENOTES CHASSIS
 ARROWS AT CONTROLS INDICATE CLOCKWISE ROTATION.
 SWITCH S1 SHOWN IN POSITION FOR MAXIMUM HEIGHT PICTURE.
 A ALIGNMENT POINTS
 CIRCLED ALPHABETS INDICATE ALIGNMENT & TEST POINTS.
 RESISTANCE MEASUREMENTS SHOWN WITH COILS DISCONNECTED FROM CIRCUIT.
 *10KV. TO BE MEASURED WITH ELECTROSTATIC OR 20K MIN/OHM PER. VOLT HIGH VOLTAGE METER.
 **R13 RESISTORS MARKED WITH DOUBLE ASTERISK MAY ALSO BE PART # 22-294 3.3 44 A CHOKES.

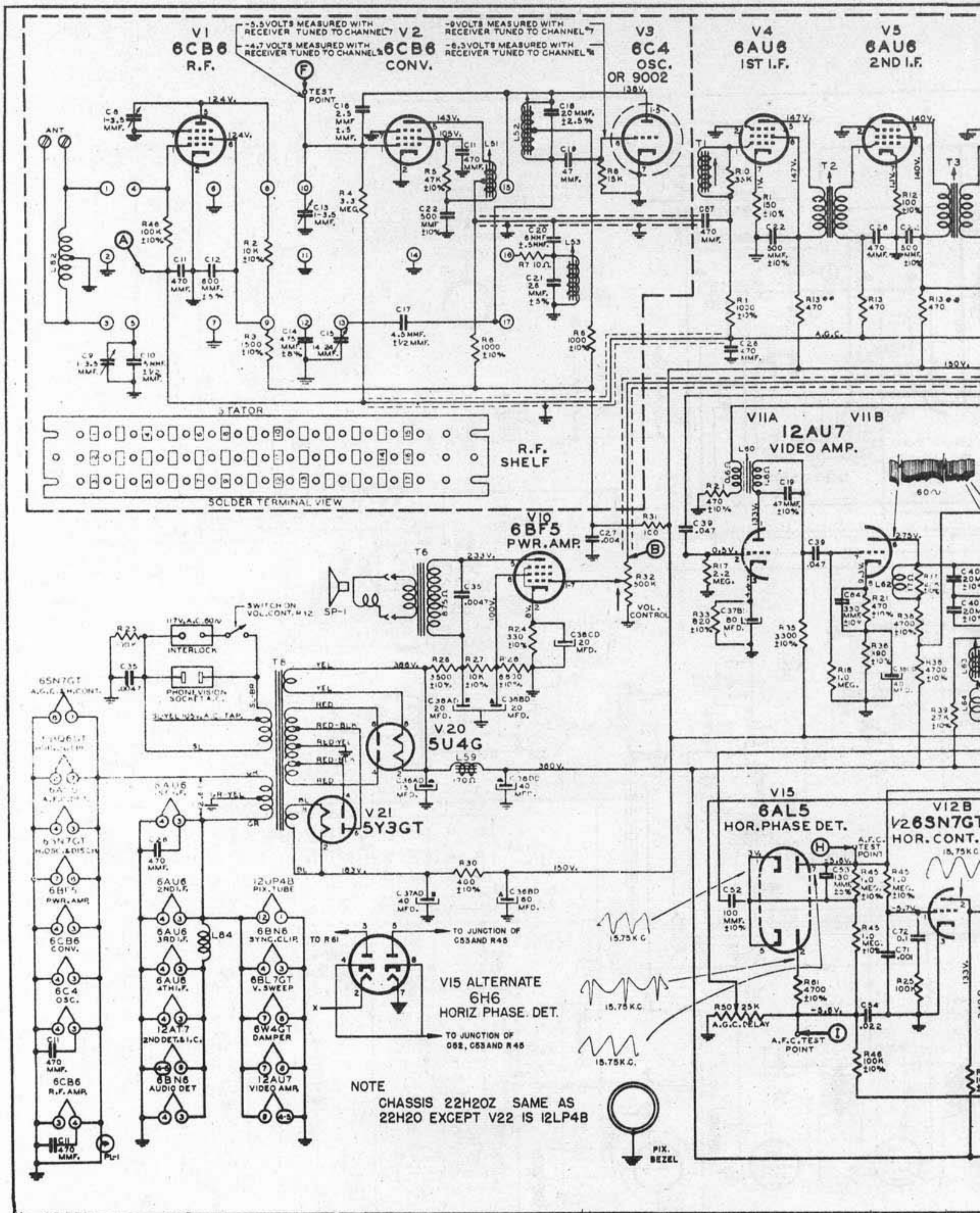


Fig. 20 Schematic Diagram 22H20 Chassis (Wave Forms Shown Also Representative For 23H22Z, 24H20 and 24H21).

ARTS LIST

Diag. No.	Part No.	Description
	188-131	Retaining Ring (used on S-17097)
	188-137	Retaining Ring (used on S-17362)
	196-145	Plastic Gasket
	196-152	C.R. Tube Support Gasket
	199-124	Focus Coil Sleeve
	S-16020	PM Focus & Centering Assy.
	S-17461	Beam Bender unit all 16" including rectangular tubes.
	S-16207	Deflection Yoke Mtg. Brkt. Assy.
	S-16209	Wire and Eyelet Assy.
L80	S-16855	Sound Trap Coil Assy.
L64	S-17052	2nd Video Series Peak-ing Coil Assy.
L62	S-17053	2nd Video Shunt Peak-ing Coil Assy.
	S-17064	Video IF Strip Assy. (Complete)
	S-17076	Gasket Reinforcing Brkt Assy.
	S-17081	C.R. Tube Socket & Wire Assy.
	S-17084	Shaft-Gear & Coupling Assy.
	S-17096	Dial Cord & Eyelet Assy. (Fine Tuning)
	S17097	Brkt. Pulley & Gear Assy.
	S-17100	RF Shelf & Turret Assy.
L75	S-17112	Horiz. Size Control Coil Assy.
	S-17113	Horiz. Linearity & Size Control & Brkt. Assy. (Includes L75, L77)
L74	S-17114	Horiz. Osc. Coil Assy.
L63	S-17116	4.5 Mc Video Trap Coil Assy.
	S-17121	Rectifier Mtg. Plate Assy.
	S-17127	Plug & Brkt Assy.
T14	S-17130	Horiz. Sweep Trans. Assy. (or S-17265)
L65	S-17132	Picture Control Coil Assy.
L77	S-17176	Horiz. Linearity Control Coil Assy.
	S-17362	Indicator Drum & Shaft Assy.
	S-17377	Contrast Control Shaft & Bush-ing Assy.
	S-17409	Insulator Strip & Terminal Assy.
	S-17425	Fine Tuning Ext. Shaft & Coupling Bushing.
	S-17428	Anode Lead & Wire Assy.
	S-17164	Beam Bender unit all 12" and 19" tubes.
		TUBES
	1 - 1X2	1 - 6BQ6GT
	1 - 5U4G	2 - 6SN7GT
	1 - 5Y3GT	1 - 6W4GT
	1 - 6AL5	1 - 12AU7
	1 - 6BF5	1 - 6BL7GT
	1 - 6BN6	1 - 12UP4B
		TURRET TUNER ASSEMBLY
C2	6-65	Ball Bearing
	22-1879	Slug Tuned Trimmer Cond. (4 used)
C6	22-1892	7 Mmfd Ceramic 500V
C1	22-1894	8 Mmfd Ceramic 500V
C3	22-1951	4.5 Mmfd Ceramic 500V
	22-2139	2.0 Mmfd Ceramic 500V
C5	22-2205	21 Mmfd Ceramic 500V
C7	22-2206	24 Mmfd Ceramic 500V
	46-779	Adjusting Wrench Knob and Set Screw
	56-263	Groove Pin 1/8" dia. x 1/4" lg.
	57-1428	Bearing Plate
	57-1676	Bearing Plate
	68-12	Adjusting Wrench
	73-114	8-32x5/16 Slab Hd. Set Screw (2 used on S15024)
	80-697	Adjusting Wrench Return Spring
	94-734	Bearing Retaining Bushing
114-201	#8x5/16" Hex. Hd S.T. Screw	(4 used on S15022)

Diag. No.	Part No.	Description
	184-14	Steel Ball 1/8" Dia. (9 used)
	S-15022	Turret Cover Assy.
	S-15024	Gear & Bushing Assy.
ST2	S-16862	Channel Strip Assy. #2
ST3	S-16863	Channel Strip Assy. #3
ST4	S-16864	Channel Strip Assy. #4
ST5	S-16865	Channel Strip Assy. #5
ST6	S-16866	Channel Strip Assy. #6
ST7	S-16867	Channel Strip Assy. #7
ST8	S-16868	Channel Strip Assy. #8
ST9	S-16869	Channel Strip Assy. #9
ST10	S-16870	Channel Strip Assy. #10
ST11	S-16871	Channel Strip Assy. #11
ST12	S-16872	Channel Strip Assy. #12
ST13	S-16873	Channel Strip Assy. #13
	S-17092	Turret Housing Assy.
	S-17098	Turret Tuner Assy. (Mechanical)
	S-17445	Bearing and Brkt. Assy.
	S-17446	Turret Detent Spring Assy.

RF SHELF ASSEMBLY

	19-166	Coil Mtg. Clip (1 ea. used on S-16265 & S-16501)
	19-179	Coil Mtg. Clip (used on S-17104)
C19	22-1876	47 Mmfd Ceramic 500V
C16	22-1891	2.5 Mmfd Ceramic 500V
C10	22-2050	5 Mmfd Ceramic 500V
C20	22-2051	6 Mmfd Ceramic 500V
C8-9-13	22-2093	Trimmer Cond. (3 used)
C21	22-2155	26 Mmfd 500V
C18	22-2204	20 Mmfd Ceramic 500V
C17	22-2207	4.5 Mmfd Ceramic 500V
C22	22-2216	500 Mmfd Ceramic 500V
C11	22-2219	470 Mmfd Ceramic (4 used) 500V
C15	22-2220	Trimmer Cond.
C14	27-69	Silver Mica Disc.
C12	27-82	Silver Mica Disc.
	54-293	Locknut (1 used on ea. 22-2093)
	57-1689	Insulating Plate (Spark Plate) (2 used)
R7	63-1702	10 Ohm 1/2W 10% Ins.Res.
	63-1785	1000 Ohm 1/2W 10% Ins.Res.
R2	63-1827	10K Ohm 1/2W 10% Ins.Res.
R8	63-1835	15K Ohm 1/2W 20% Ins.Res.
	63-1855	47K Ohm 1/2W 10% Ins.Res.
	63-1869	100K Ohm 1/2W 10% Ins.Res.
R4	63-1933	3.3 Megohm 1/2W 20% Ins. Res.
R3	63-1967	1500 Ohm 1W 10% Ins. Res.
	69-11	6-32x 3/4" RHMS Steel (1 used on ea. 22-2093)
	78-885	Miniature Tube Socket (molded)
	78-886	Miniature Tube Socket
	78-888	Miniature Tube Socket
	80-736	Shaft Tension Spring
	83-1570	Antenna Terminal Strip
	93-1053	Bakelite Washer
	112-768	Spark Plate Mtg. Screw
	126-622	Tube Shield
	126-638	RF Shelf Shield
	149-74	Iron Core (used on S-17173)
	149-75	Iron Core & Screw (used on S-16265)
	149-92	Iron Core (used on S-17104)
	149-97	Iron Core & Screw (used on S-16501)
L52	S-16265	Oscillator Coil Assy.
L53	S-16501	Trap Coil Assy.
	S-16651	Tuning Shaft & Cam Assy.
	S-17099	RF Shelf Assy. (Complete)
L51	S-17104	Converter Plate Coil Assy.
L82	S-17173	Antenna Coil Assy.
	S-17191	Shielded Cable Assy.
	S-17194	Tuning Shaft & Pulley Assy.
		TUBES
	2 - 6CB6	1 - 6C4

S-17064 VIDEO I.F. ASSEMBLY
(Also refer to S-17635 Parts List,

Diag. No.	Part No.	Description
	19-209	Coil Mtg. Clips (5 used)
C29	22-3	.01 Mfd. Ceramic (Disc) (4 used) 500V
C27	22-4	.004 Mfd. Ceramic (Disc) (2 used) (or 22-1706) 500V
C30	22-1761	50 Mmfd Ceramic 500V
C72	22-1777	0.1 Mfd. 200V
C28	22-1874	7 Mmfd. Ceramic 500V
C31	22-2106	10 Mmfd Ceramic 500V
C26	22-2143	470 Mmfd Ceramic (4 used) 500V
C22	22-2216	500 Mmfd Ceramic (4 used) 500V
C25	22-2217	470 Mmfd Ceramic 500V
C32	22-2218	.001 Mfd Ceramic 500V
	54-271	#6-32x1/4" Hex. Pal-nut Inverted Type (2 used on ea. IF)
	63-1571	6800 Ohm 2W 10% Ins.Res.
R12	63-1743	100 Ohm 1/2W 10% Ins.Res. (3 used)
R91	63-1754	180 Ohm 1/2W 10% Ins.Res.
R21	63-1771	470 Ohm 1/2W 10% Ins.Res.
R13	63-1772	470 Ohm 1/2W 20% Ins.Res. (6 used)
R33	63-1782	820 Ohm 1/2W 10% Ins.Res.
R6	63-1785	1000 Ohm 1/2W 10% Ins.Res.
R23	63-1799	2200 Ohm 1/2W 10% Ins.Res.
R35	63-1806	3300 Ohm 1/2W 10% Ins.Res.
R61	63-1813	4700 Ohm 1/2W 10% Ins.Res.
R11	63-1834	15K Ohm 1/2W 10% Ins.Res. (4 used)
R5	63-1855	47K Ohm 1/2W 10% Ins.Res.
R16	63-1859	56K Ohm 1/2W 10% Ins.Res.
R47	63-1862	68K Ohm 1/2W 10% Ins.Res.
R49	63-1884	220K Ohm 1/2W 20% Ins.Res..
R22	63-1890	330K Ohm 1/2W 10% Ins.Res..
R18	63-1912	1 Megohm 1/2W 20% Ins.Res..
	78-905	Miniature Tube Socket (5 used)
	78-906	Miniature Tube Socket (9 Contact)
	94-538	Tuning Slug Insert (1 ea. used on S-16013 & S-16738)
	94-706	Tuning Slug Insert (1 ea. used on S-16275 - S-16604 S-16605
	94-742	Tuning Slug Insert (1 ea. used on S-16274 - S-17472
	103-1	Crystal Diode (1N64)
	125-69	Rubber Grommet (2 used)
	149-71	Iron Core (used on S-16984)
	149-89	Iron Core (used on S-16738 & S-16013)
	149-96	Iron Core (used on S-16275 - S-16604-05 - S-16274 - S-17062
L55	S-15128	Grid Coil Assy.
L56	S-16011	Shunt Peaking Coil Assy.
L58	S-16013	Quadrature Coil Assy.
T1	S-16274	1st Video IF Trans. Assy.
T2	S-16275	2nd Video IF Trans. Assy.
T3	S-16604	3rd Video IF Trans. Assy.
T4	S-16605	4th Video IF Trans. Assy.
L57	S-16738	Intercarrier Sound IF Coil Assy.
L84	S-16984	Filament Choke Coil Assy.
	S-17064	Video IF Strip Assy. (Comp)
L54	S-17504	Detector Peaking Coil Assy.
T5	S-17472	5th Video IF Trans. Assy.
	S-17505	Inverter Plate Peaking Coil Assy.
		TUBES
		4 - 6AU6
		1 - 6BN6
		1 - 12AT7

CHASSIS 22H20, 23H22, 23H22Z, 24H20, 24H21

Part No.	Description
S-17429	Anode Lead & Eyelet Assy.
S-17461	Beam Bender Unit
TUBES	
1 - 16GP4B	3 - 6SN7GT
1 - 1B3GT	1 - 6SN7GTA
1 - 6AL5	1 - 6W4GT
1 - 6BN6	1 - 12AU7
2 - 6BQ6GT	

S-17189 POWER SUPPLY

22-2127	.001 Mfd. (Molded) 600V Elect. 20 Mfd. 200V - 20 Mfd
22-2224	450V 40 Mfd. 450V 20 Mfd 25V
54-42	10-32x5/16x3/32 Hex. Nut Steel N.P. (4 used 95-1245)
58-172	Nine Prong Plug
63-1764	330 Ohm 1/2W 10% Ins. Res.
63-1814	4700 Ohm 1/2W 20% Ins. Res.
63-1997	6800 Ohm W.W. 2W 10% Ins. Res.
63-2022	10K Ohm W.W. 5W 10% Ins. Res.
63-2136	Candohm
78-274	Elect. Cond. Socket
78-755	Octal Tube Socket (2 used)
78-810	Miniature Tube Socket
93-127	#10 Int. Shakeproof Lock-washer (4 used on 95-1245)
95-1218	Filter Choke
95-1245	Power Transformer
95-1247	Output Transformer
114-43	10-32x3/8" Hex. Sl. Washer Hd. M. S. (4 used on 95-1245)
114-297	#6x1/4" Hex. Hd. Sl. S.T. (2 used on 126-604)
125-69	Rubber Grommet
126-604	Heat Shield
S-17189	Power Supply (Complete)
S-17195	Cable Assembly

TUBES

- 1 - 6BF5
- 1 - 5U4G
- 1 - 5Y3GT

S-17230 CENTERING & FOCUS ASSY.

57-1548	Centering Plate
57-1549	Focusing Coil Mtg. Plate
57-1684	Magnet End Plate
93-951	Spring Washer - Shakeproof - Blued
93-1006	.0359x.1561 Dx1/2" O.D. Steel
93-1007	.0359x.1561 Dx1" O.D. Steel
93-1009	Spring Washer - Blued
114-48	#6-32x1/4" Hex. Hd. Sl. M.S. (2 used)
S-17230	Mechanical Centering & Focus Assy. (Complete)
S-17332	Focusing Coil Assy.

S-17268 TV REMOTE CONTROL KIT

6-66	Ball Bearing (2 used)
12-1783	Latch Bracket
15-97	Control Cap (used on S-17267)
16-663	Packing Carton (S-17267)
16-664	Packing Carton (S-17268)
19-214	Coupling Sleeve Retaining Clip (2 used)
20-332	Magnet Coil
22-2252	Elect. 130 Mfd. 40V
34-213	Worm Drive Gear
43-193	Control Housing (used on S-17267)
46-897	Push Knob - White
46-898	Push Knob - Black
52-596	Cable and Plug (used on S-17267)
	#6-32x1/4"x3/32" Hex

Diag. No.	Part No.	Description
	54-34	Nut (4 used on Elect. & Motor Mtg.)
	57-1681	Worm Latch Plate
	57-1683	Switch Mtg. Plate (used on S-17267)
	58-194	Three Prong Plug (Part of 52-596)
	72-3	#5x5/8" Flat Hd. W. S. Steel N.P. (2 used)
	73-136	#8-32x1/2" Hex. Hd. Sl. Set Screw (2 used on S-17378)
	78-901	Three Contact Socket and Ring
	80-833	Knob Tension Spring
	80-834	Worm Latch Spring
	83-1817	Magnet Insulator Strip
	85-492	Push Switch (2 used S-17267)
	93-125	#6 Int. Shakeproof Lockwasher (1 used with ea. 54-34)
	93-1062	1/16x.169x.310 Bakelite Washer (used on S-17392)
	93-1064	.010x.169x1/2" Fishpaper Washer (used on S-17392)
	93-1066	Bearing Washer
	93-1067	Magnet Shading Washer
	93-1068	Worm Thrust Washer
	94-295	Mtg. Bushing (2 used on S-17268)
	94-738	Bearing Bushing
	94-740	Motor Mtg. Bushing (4 used)
	95-1255	Step Down Trans.
	97-398	Worm Latch Stud (2 used)
	113-8	#6-32x1/4" Hex. Hd. Sl. M.S. Steel Shakeproof (3 used on S-17312 & 2 used on 95-1255)
	113-24	#8-32x3/8" Hex. Hd. Sl. M.S. (Part of S-17392)
	113-40	#6-32x1/4" Phill. RHMS Steel Shakeproof (2 used on S-17267)
	113-41	#2-56x3/16" RHMS Steel Shakeproof (2 used on 15-97 and Knobs)
	113-42	#2-56x5/16" Phill. Pan Hd. M.S. (Black Nickle) (used 2 on S-17267)
	114-199	#6-3/16" Hex. Hd. Sl. S.T. (used on 12-1783)
	114-358	#6x1/2" Hex. Hd. Sl. S.T. (4 used on S-17268 Mtg.)
	125-17	Rubber Grommet (4 used)
	141-130	Drive Motor
	149-106	Magnet Core
	199-140	Coupling Sleeve
	202-849	Instruction Book
	S-17266	Remote Control Assy. (Complete)
	S-17267	Hand Control & Cable Assy. (Complete)
	S-17268	Remote Control & Hand Control & Cable Assy. (Comp.)
	S-17211	Planetary Gear & Yoke Assy.
	S-17312	Housing & Bearing Bushing Assy.
	S-17317	Drive Gear Assy.
	S-17324	Cable, Socket & Brkt Assy.
	S-17378	Output Gear & Set Screw Assy.
	S-17392	Magnet & Brkt. Assy.

ALL MODELS WITH SUFFIX LETTER "Q" ARE EQUIPPED WITH THE S-17268 REMOTE CONTROL ASSEMBLY AND UTILIZE THE FOLLOWING ADDITIONAL PARTS:

72-3	#5x5/8" Flat Hd W.S. Steel N.P. (2 used)
94-295	Mounting Bushing (4 used)
114-358	#6x1/2" Hex. Hd. Sl. S.T. (4 used)
202-849	Instruction Book (Remote Control)
S-17266	Remote Control Assy.
S-17267	Hand Control & Cable Assy.

Diag. Part Description
No. No. CABINET PARTS H2226E

	11-106	Line Cord & Plug 9' lg.
	12-1797	Clamping Guide Brkt. (Esc. Mtg.)
	14-1264E	Cabinet for H2226E Table Model
	16-649	Packing Carton
	24-446	AC Line Cord Plug Cover
	24-555	Control Cover (use S-17497)
	46-833	Volume Control Knob
	46-885	Contrast Control Knob
	46-887	Horiz. Hold Knob
	46-889	Channel Selector Knob
	46-893	Brightness Control Knob
	46-895	Fine Tuning Knob
	46-896	Vertical Hold Knob
SPI	49-679	Speaker 5-1/4" PM ZC 5093 Cone
	56-286	Cover Hinge Pin
	57-1481	Esc. Clamping Plate (3 used)
	57-1670	Glass Retaining Plate (2 used)
	57-1672	Nameplate (use S-17497)
	57-1673	Escutcheon
	57-1678	Escutcheon (Vol. Control)
	57-1679	Escutcheon (Channel Selector)
	70-3	#5x1/2" RHWS Steel N.P. (2 used to mt. S-17306)
	70-86	#6x5/8" Washer Hd Wood Screw St.Br. (5 used to mt. S-17333)
	72-81	#8x3/4" Phill. Flt. Hd. Wood Screw St. Br. (4 used to mt. S-17307)
	74-58	Ventilating Screen
	78-787	Two Contact Socket (used with 11-106)
	80-826	Grounding Spring
	80-828	Door Return Spring
	112-758	4-40x1/4" RHST Cad (8 used on Esc. mt.)
	114-80	1/4-20x 1-3/8" Hex Washer Hd. M.S. (4 used chassis mtg.)
	114-341	#6x3/8" Hex. Hd S.T. (used on 80-826)
	114-353	#6x1/4" Hex. Hd S.T. Cad. (4 used on Esc. Mtg.)
	192-136	Protective Glass
	196-148	Glass Gasket
	196-160	Rubber Gasket
	202-829	Instruction Book
	S-17306	Antenna Terminal & Wire Assy.
	S-17307	Cabinet Antenna Assy. (Complete)
	S-17333	Cabinet Back Assy. (Complete)
	S-17497	Cover and Nameplate Assy.

CABINET PARTS H2226R & RQ

Model H2226R is the same as H2226E except for the following:

OMIT:

14-1264E	Cabinet for H2226E Table Model
46-833	Vol. Control Knob
46-889	Channel Selector Knob

ADD:

14-1264R	Cabinet for H2226R Table Model
46-888	Channel Selector Knob
46-890	Vol. Control Knob.

Diag. No.	Part No.	Description	Diag. No.	Part No.	Description	Part No.	Description
MODELS: H2449E & EQ - H2437E & EQ - H2437R & RQ - H2438R & RQ - H2439R & RQ CHASSIS 24H20 MAIN CHASSIS			R31	63-1744	100 Ohm 1/2W 20% Ins.Res.	80-825	C.R. Tube Retaining Spring
	12-1736	Pilot Light Brkt.	R67	63-1751	150 Ohm 1/2W 20% Ins.Res. (2 used)	83-1802	Fuse Mtg. Strip
	15-98	Socket Cap (used on S-17140)	R36	63-1768	390 Ohm 1/2W 10% Ins.Res.	85-488	Picture Control Switch
	19-166	Coil Mtg. Clip (used on S-17114)	R21	63-1771	470 Ohm 1/2W 10% Ins.Res. (2 used)	87-1	Integrator Unit
	19-175	Coil Mtg. Clip (4 used)	R60	63-1775	560 Ohm 1/2W 10% Ins.Res. (used on 95-1246)(2 used)	93-2	Brass Washer (used on 22-2154)
	19-206	Coil Mtg. Clip (used on S-17400)	R33	63-1782	820 Ohm 1/2W 10% Ins.Res.	93-525	Fibre Washer (2 used on 78-709)
C29	19-207	C.R. Tube Mtg. Clip	R6	63-1785	1000 Ohm 1/2V 10% Ins.Res.	93-961	Insulating Washer (used on Contrast Control)
	22-3	.01 Mfd. Ceramic (Disc) (2 used) 500V	R35	63-1806	3300 Ohm 1/2W 10% Ins. Res.	93-971	Shell Support Washer (used on Horiz. Sweep)
C27	22-4	.004 Mfd. Ceramic (Disc) (2 used) (or 22-1706) 500V	R80	63-1807	3300 Ohm 1/2W 20% Ins.Res.	93-1057	Insulating Washer (used on Contrast Control)
C52	22-365	100 Mmfd. Mica (molded) 500V	R61	63-1813	4700 Ohm 1/2W 10% Ins.Res. (3 used)	95-1240	Vertical Output Trans.
C61	22-470	150 Mmfd. Mica (molded) 500V	R62	63-1826	10K 1/2W 5% Ins.Res.	95-1246	Deflection Coil
	22-1137	150 Mmfd Mica 500V	R11	63-1834	15K Ohm 1/2W 10% Ins.Res.	100-67	Pilot Light
C57	22-1138	470 Mmfd Mica (molded) 500V	R34	63-1838	18K Ohm 1/2W 10% Ins.Res.	112-88	Thumb Screw #8-32 (Deflection Coil)
	22-1645	330 Mmfd Mica 500V	R37	63-1841	22K Ohm 1/2W 10% Ins.Res.	112-758	#4-40x1/4" RHST (used on 85-488)
C72	22-1777	.1 Mfd. (2 used) 200V	R39	63-1845	27K Ohm 1/2W 10% Ins.Res.	114-45	#8x3/8" Hex Hd. S.T. Screw (2 used on S-17138)
C35	22-1782	.0047 Mfd. (molded) 600V	R89	63-1848	33K Ohm 1/2W 10% Ins.Res.	114-268	#6x1/4" Hex. Hd. S.T. (2 used on 24-554)
C73	22-1810	.1 Mfd. 200V	R5	63-1855	47K Ohm 1/2W 10% Ins.Res. (2 used)	114-310	#8x5/16" Hex. Washer Hd.S.T. #8x5/16" Hex Washer Hd. S.T. (4 used on Turret and 2 used Deflt. Coil)
C64	22-1814	.0022 Mfd. 600V	R47	63-1862	68K Ohm 1/2W 10% Ins.Res.	114-310	Rubber Grommet (2 used on 78-709)
C82	22-1832	500 Mmfd (molded) (Special) 20,000V	R56	63-1863	68K Ohm 1/2W 20% Ins. Res.	136-22	Fuse 1/4 Amp.
C51	22-1841	.1 Mfd. (molded) 600V	R46	63-1869	100K Ohm 1/2W 10% Ins. Res. (3 used)	149-89	Iron Core (1 ea. used on S-16855 & S-17116)
C44	22-1843	.01 Mfd. (molded) 600V	R25	63-1870	100K Ohm 1/2W 20% Ins.Res. (3 used)	149-98	Iron Core & Screw (used on S-17400)
C39	22-1844	.047 Mfd. (molded) (5 used) 600V	R42	63-1883	220K Ohm 1/2W 10% Ins.Res. (3 used)	149-100	Iron Core & Spring (used on S-17177)
C58	22-1845	.0022 Mfd. 600V	R49	63-1884	220K Ohm 1/2W 20% Ins.Res. (2 used)	149-101	Iron Core & Spring (used on S-17177)
C62	22-1846	.01 Mfd. (molded) 400V	R22	63-1890	330K Ohm 1/2W 10% Ins.Res.	149-102	Iron Core & Screw (used on S-17114)
C60	22-1849	.0047 Mfd. (molded) 600V	R44	63-1894	390K Ohm 1/2W 10% Ins.Res.	188-131	Retaining Ring (used on S-17097)
C65	22-1851	.001 Mfd. (molded) 1000V	R48	63-1898	470K Ohm 1/2W 20% Ins.Res. (2 used)	188-137	Retaining Ring (used on S-17362)
C19	22-1876	47 Mmfd Ceramic 500V	R64	63-1901	560K Ohm 1/2W 10% Ins.Res.	196-146	Plastic Gasket
C63	22-2034	680 Mmfd(molded) 500V	R45	63-1911	1 Megohm 1/2W 10% Ins.Res. (4 used)	196-152	C.R. Tube Support Gasket
C67	22-2061	.1 Mfd. (molded) 400V	R18	63-1912	1 Megohm 1/2W 20% Ins.Res.	199-124	Focus Coil Sleeve
C54	22-2071	.022 Mfd. (molded) 200V	R72	63-1919	1.5 Megohm 1/2W 20% Ins.Res.	S-16855	Sound Trap Coil
C55	22-2078	.047 Mfd 600V	R17	63-1926	2.2 Megohm 1/2W 20% Ins.Res.	S-17052	2nd Video Series Peaking Coil Assy.
C71	22-2112	.001 Mfd Ceramic 500V	R4	63-1933	3.3 Megohm 1/2W 20% Ins.Res.	S-17053	2nd Video Shunt Peaking Coil Assy.
C36AD	22-2122	Elect. 15 Mfd. 475V	R20	63-1982	100K Ohm 2V 10% Ins.Res. (2 used)	S-17064	Video IF Strip Assy. (Complete)
BD-CD		15 Mfd 475V 40 Mfd	R82	63-1983	47 Ohm 2W 20% Ins.Res.	S-17083	Gear Bushing & Set Screw Assy.
DD		50V 80 Mfd 300V	R78	63-2017	4000 Ohm W.W. 5W 10% Ins. Res. (2 used)	S-17084	Shaft Gear & Coupling Assy.
C49	22-2128	.001 Mfd (molded) 600V	R19	63-2050	Bias Control	S-17096	Dial Cord & Eyelet Assy.
C24AA	22-2154	Elect. 10 Mfd 250V	R77	63-2099	Focus Control	S-17097	Brkt., Pulley & Gear Assy.
C79	22-2159	.33 Mfd. (molded) 200V	R76AB	63-2103	400 Ohm W.W. (Center Tapped)	S-17100	RF Shelf & Turret Assy. (Complete)
C53	22-2162	130 Mmfd Mica 500V	R76BB			S-17114	Horiz. Osc. Coil Assy.
C59	22-2163	1000 Mmfd Mica 500V	R55	63-2110	Vertical Size Control	S-17116	4.5 Mc Video Trap Coil Assy.
C74	22-2168	33 Mmfd Ceramic 500V	R98	63-1581	4.7 ohm 1/2W 10% Ins.	S-17127	Plug & Bracket Assy.
C22	22-2216	500 Mmfd Ceramic 500V	R40	63-2123	Contrast Control	S-17138	Gasket Reinforcing Brkt. Assy.
C37AD		Elect. 20 Mfd. 475V 40 Mfd	R32	63-2125	Vol. Control & Switch	S-17140	Horizontal Sweep Transformer Assy.
BD-CD-	22-2223	300V 80 Mfd. 25V 100 Mfd. 50V	R43	63-2126	Intensity Control	S-17174	Deflection Yoke Mtg. Brkt Assy.
DD				63-2130	150K Ohm 1W 10% Ins.Res.	S-17175	Horizontal Size Control Assy.
C78AA	22-2225	Elect. 20 Mfd 300V	R81	63-2134	150K Ohm 5W 20% Ins.Res.	S-17176	Horiz. Linearity Control Coil Assy.
C75AB	22-2232	Elect. 20 Mfd 300V	R83	63-2135	15K Ohm 10W CandiOhm	S-17177	Horiz. Size Control & Horiz. Linearity Control & Brkt. Assy.
C75BB		15 Mfd. 475V	R75	63-2137	100K Ohm 1W 10% Ins.Res.	S-17178	Fire Shield Assy.
C40	22-2233	20 Mmfd Ceramic (2 used) 500V	R53	63-2140	Vertical Hold Control	S-17179	Horiz. Sweep Trans. Mtg. Plate Assy.
C41	22-2234	100 Mmfd Ceramic 500V		63-2153	AGC Control	S-17185	C.R. Tube & Socket Assy.
C81	22-2244	.47 Mfd 200V		73-112	#8-32x1/2" Slab. Hd. Set Screw (2 used on S-17093) #8-32x5/16" Slab Hd. Set. Screw (2 used S-17083 and 4 used S-16529)	S-17187	Insulator Strip & Terminal Assy.
C43	22-2248	.0033 Mfd 600V		76-604	Fine Tuning Extension Shaft	S-17230	Mechanical Tuning & Focus Assy.
C69	22-2261	.15 Mfd 400V		76-605	Horiz. Hold Control Shaft	S-17362	Indicator Drum & Shaft Assy.
	24-554	Fire Shield Rear Cover		78-250	Elect. Cond. Socket	S-17377	Contrast Control Shaft & Bushing Assy.
	52-591	Insulated Shielded Lead		78-580	Nine Contact Socket	S-17400	Picture Control Coil Assy.
	52-592	Insulated Shielded Lead		78-706	Octal Socket	S-17425	Fine Tuning Shaft & Bushing Assy.
	54-139	3/8-32x9/16" Hex Nut (8 used to mt. controls)		78-709	Octal Tube Socket		
	57-1675	Shaft Retaining Plate (used on 76-604)		78-755	Octal Tube Socket (5 used)		
	58-191	Nine Prong Adapter Plug		78-807	Miniature Tube Socket (2 used)		
R63	63-957	33K Ohm 1W 10% Ins.Res.		78-834	Octal Tube Socket		
R79	63-1065	15K Ohm 1W 10% Ins.Res.		78-840	AC Socket		
	63-1201	1800 Ohm W.W. 3W 10% Ins.Res.		78-875	CR Tube Socket		
R54	63-1449	470 Ohm W.W. 1W 20% Ins. Res.		78-876	Noval Miniature Tube Socket		
	63-1565	4700 Ohm 1W 20% Ins.Res. (2 used)		78-883	Nine Contact Socket		
R59	63-1674	Vertical Linearity Control		78-900	Pilot Light Socket & Wire		
R50	63-1675	Horiz. Drive Control		80-744	Focus Mtg. Spring (4 used)		
R12	63-1743	100 Ohm 1/2W 10% Ins.Res. (3 used)		80-802	Retaining Spring (1 ea. used on 149-100 & 149-101)		
				80-822	Dial Cord Tension Spring		
				80-823	Shaft Guide Spring		
				80-824	Tube Plate Connector Spring (2 used)		

Part No.	Description
70-3	#5x1/2" RHWS Steel N.P. (2 used S-17305)
70-86	#6x5/8" Washer Hd. Wood Screw Stat. Br. (4 used on S-17192)
72-81	#8x3/4 Phillips Flt. Hd. Wood Screw Stat. Br. (4 used on S-17444)
78-787	Two Contact Socket
80-826	Grounding Spring
80-828	Door Return Spring
112-813	4-40x5/16" RHST Cad. (8 used on Esc. Mtg.)
114-80	1/4-20x1-3/8" Hex Washer Hd. M.S. (4 used chassis mtg. (3 used pwr supply mtg.))
114-201	#8x5/16" Hex. Hd. Sl. S.T. (used on Power Supply)
114-313	#8x1/2" Hex. Hd. S.T. (3 used on Esc. Mtg.)
114-341	#6x3/8" Hex. Hd. S.T. (used on 80-826)
165-13	Metal Glide (4 used)
192-137	Protective Glass
196-149	Glass Gasket
202-829	Instruction Book
S-17189	Power Supply (Complete)
S-17192	Cabinet Back Assy. (Complete)
S-17305	Antenna Terminal & Wire Assy.
S-17444	Cabinet Antenna Assy.
S-17497	Cover & Nameplate Assy.
CABINET PARTS H2439R	
11-106	Line Cord & Plug - 9' Ig.
14-1257R	Cabinet for H2439R console model
16-634	Packing Carton
24-446	AC Line Cord Plug Cover
46-885	Contrast Control Knob
46-887	Horizontal Hold Knob
46-888	Channel Selector Knob
46-890	Volume Control Knob
46-893	Brightness Control Knob
46-895	Fine Tuning Knob
46-896	Vertical Hold Knob
49-687	12" PM Speaker ZC12161 Cone
56-286	Cover Hinge Pin
57-1284	Strike Plate (2 used)
57-1481	Esc. Clamping Plate (3 used)
57-1670	Glass Retaining Plate (4 used)
57-1671	Escutcheon
57-1678	Esc. (Volume Control)
57-1679	Esc. (Channel Selector)
70-3	#5x1/2" RHWS Steel N.P. (2 used on S-17305)
70-86	#6x5/8" Washer Hd. Wood Screw St. Br. (4 used on S-17192)
72-81	#8x3/4 Phil. Flt Hd Wood Screw (St.Br.) (4 used on S-17444)
74-58	Ventilating Screen
78-787	Two Contact Socket
80-826	Grounding Spring
80-828	Door Return Spring
112-813	4-40x5/16" RHST Cad. (8 used on Esc. Mtg.)
114-80	1/4-20x1-3/8" Hex. Washer Hd. M.S. (4 used on chassis mtg. & 3 used pwr. supply)
114-201	#8x5/16" Hex Hd Sl. S.T. (used on pwr supply)
114-341	#6x3/8" Hex Hd. S.T. Cad. (used on 80-826)
125-79	Rubber Grommet (4 used on 138-39)
138-39	Cabinet Grille
165-13	Metal Glide (4 used)
192-137	Protective Glass
196-149	Glass Gasket
202-829	Instruction Book
S-17189	Power Supply Assy. (complete)
S-17192	Cabinet Back Assy. (complete)
S-17305	Antenna Terminal & Wire Assy.
S-17444	Cabinet Antenna Assy. (complete)
S-17497	Cover & Nameplate Assy.
SPECIAL TEST EQUIPMENT FOR TV	
68-7	Alignment Wrench
68-13	Alignment Tool
68-14	Tuning Wand
68-17	Adjustment Wrench for Master Oscillator and Sound Trap Adjustments
68-18	Trap Adjustments on RF Shelf
68-19	18" Insulated Screwdriver for Hum and AGC adjustments
95-1234	Nylon Alignment Wrench
95-1234	250 Watt Isolation Transformer

Part No.	Description
196-149	Glass Gasket
202-829	Instruction Book
S-17189	Power Supply Assy. (Complete)
S-17192	Cabinet Back Assy. (Complete)
S-17305	Antenna Terminal & Wire Assy.
S-17444	Cabinet Antenna Assy. (complete)
S-17497	Cover & Nameplate Assy.
CABINET PARTS H2449E	
11-106	Line Cord & Plug - 9' Ig.
14-1255E	Cabinet for H2449E Console Cabinet.
16-633	Packing Carton
24-446	AC Line Cord Plug Cover
46-833	Volume Control Knob
46-885	Contrast Control Knob
46-887	Horizontal Hold Knob
46-888	Channel Selector Knob
46-893	Brightness Control Knob
46-895	Fine Tuning Knob
46-896	Vertical Hold Knob
49-687	12" PM Speaker ZC12161 Cone
56-286	Cover Hinge Pin
57-1481	Esc. Clamp. Plate (3 used)
57-1670	Glass Retaining Plate (4 used)
57-1671	Escutcheon
57-1678	Esc. (Vol. Control)
57-1679	Esc. (Channel Selector)
70-3	#5x1/2" RHWS Steel N.P. (2 used on S-17305)
70-86	#6x5/8" Washer Hd. Wood Screw St. Br. (4 used on S-17192)
70-160	#8x1" Phill. RHWS (4 used on 138-39)
72-81	#8x3/4" Phill. Flt. Hd. Wood Screw St. Br. (4 used on S-17444)
74-58	Ventilating Screen
78-787	Two Contact Socket
80-826	Grounding Spring
80-828	Door Return Spring
112-813	4-40x5/16" RHST Cad. (8 used on Esc. Mtg.)
114-80	1/4-20x1-3/8" Hex. Washer Hd. M.S. (4 used on chassis mtg. & 3 used pwr. supply)
114-201	#8x5/16" Hex Hd Sl. S.T. (used on pwr supply)
114-341	#6x3/8" Hex Hd. S.T. Cad. (used on 80-826)
125-79	Rubber Grommet (4 used on 138-39)
138-39	Cabinet Grille
165-13	Metal Glide (4 used)
192-137	Protective Glass
196-149	Glass Gasket
202-829	Instruction Book
S-17189	Power Supply Assy. (complete)
S-17192	Cabinet Back Assy. (complete)
S-17305	Antenna Terminal & Wire Assy.
S-17444	Cabinet Antenna Assy. (complete)
S-17497	Cover & Nameplate Assy.
SPECIAL TEST EQUIPMENT FOR TV	
68-7	Alignment Wrench
68-13	Alignment Tool
68-14	Tuning Wand
68-17	Adjustment Wrench for Master Oscillator and Sound Trap Adjustments
68-18	Trap Adjustments on RF Shelf
68-19	18" Insulated Screwdriver for Hum and AGC adjustments
95-1234	Nylon Alignment Wrench
95-1234	250 Watt Isolation Transformer

- S-15369 Generator Test Unit
- S-15372 Coupling Ring
- S-15521 AC Test Cord for TV Chassis
- S-15627 Balance Transformer (Ant)
- S-15729 Balance Transformer (Receiver)
- S-17203 Step Attenuator

PARTS SUPPLEMENT

S-17635 VIDEO I.F. ASSEMBLY

(Also refer to Parts List for S-17064 I.F. Assembly)
 The S-17635 Video I.F. Assembly is interchangeable with the S-17064 units used in early production "H" series receivers. The new I.F. can be identified by the oblong shaped can which houses the 5th IF transformer.

	19-209	Coil Mtg. Clip	
C29	22-3	.01 Mfd. Ceramic (Disc) (4 used)	500V
C27	22-4	.004 Mfd. Ceramic (Disc) (or 22-1706)(2 used)	500V
C57	22-1138	470 Mfd. Mica (molded)	500V
C30	22-1761	50 Mmfd. Ceramic	500V
C72	22-1777	0.1 Mfd.	200V
C28	22-1874	7 Mmfd. Ceramic	500V
C31	22-2106	10 Mmfd. Ceramic	500V
C26	22-2143	470 Mmfd. Ceramic (4 used)	500V
C22	22-2216	500 Mmfd. Ceramic (4 used)	500V
C32	22-2218	.001 Mfd. Ceramic	500V
	54-271	#6-32x1/4" Hex Nut Inverted Type (2 used on each I.F.)	
	56-292	Coil Insert Ret. Pin	
R99	63-1101	8200 ohm 2W 10% Ins.	
R9	63-1736	68 ohm 1/2W 10% Ins.	
R12	63-1743	100 ohm 1/2W 10% Ins.	
R1	63-1750	150 ohm 1/2W 10% Ins.	
R91	63-1754	180 ohm 1/2W 10% Ins.	
R21	63-1771	470 ohm 1/2W 10% Ins.	
R13	63-1772	470 ohm 1/2W 20% (8 used)	Ins.
R33	63-1782	820 ohm 1/2W 10% Ins.	
R6	63-1785	1000 ohm 1/2W 10% Ins.	
R23	63-1799	2200 ohm 1/2W 10% Ins.	
R61	63-1813	4700 ohm 1/2W 10% Ins.	
R51	63-1820	6800 ohm 1/2W 10% Ins.	
R89	63-1848	33K ohm 1/2W 10% Ins.	
R10	63-1849	33K ohm 1/2W 20% Ins.	
R47	63-1862	68K ohm 1/2W 10% Ins.	
R49	63-1884	220K ohm 1/2W 20% Ins.	
R22	63-1890	330K ohm 1/2W 10% Ins.	
R18	63-1912	1 Megohm 1/2W 20% Ins.	
R93	63-1979	68K ohm 1W 10% Ins.	
	78-876	Miniature Tube Socket (Nine Contact)	
	78-905	Miniature Tube Socket (5 used)	
	94-538	Tuning Slug Insert (1 ea. used on S-16013 & S-16738)	
	94-706	Tuning Slug Insert (1 ea. used on S-16275 - S-16604 & S-16605)	
	94-742	Tuning Slug Insert (used on S-16274)	
	94-750	Tuning Slug Insert (used on S-17613)	
A2	103-1	Crystal Diode (1N64)	
	125-69	Rubber Grommet (2 used)	
	126-661	Tube Shield	
	149-71	Iron Core (used on S-16984)	
	149-89	Iron Core (1 ea. used on S-16738 & S-16013)	
	149-96	Iron Core (1 ea. used on S-16274-75 - S-16604-05 & S-17614)	
L55	S-15128	B+ Choke Coil Assembly	
L56	S-16011	Shunt Peaking Coil Assy.	
L58	S-16013	Quadrature Coil Assy.	
T1	S-16274	1st. Video I.F. Trans. Assy.	
T2	S-16275	2nd. Video I.F. Trans. Assy.	

CHASSIS 22H20, 23H22,
23H22Z, 24H20, 24H21

Diag. No.	Part No.	Description
CABINET PARTS H2227E & EQ		
11-106		Line Cord & Plug 9' lg.
12-1797		Clamping Guide Brkt.
14-1266E		Cabinet for H2227E Table Model
16-651		Packing Carton
24-446		AC Line Cord Plug Cover
24-555		Control Cover (use S-17497)
46-833		Vol. Control Knob
46-885		Contrast Control Knob
46-887		Horiz. Hold Knob
46-889		Channel Selector Knob
46-893		Brightness Control Knob
46-895		Fine Tuning Knob
46-896		Vertical Hold Knob
49-679		5-1/4" PM Speaker ZC5093 Cone
56-286		Cover Hinge Pin
57-1481		Esc. Clamping Plate (3 used)
57-1670		Glass Retaining Plate
57-1672		Nameplate (use S-17497)
57-1673		Escutcheon
57-1678		Esc. (Vol. Control)
57-1679		Esc. (Channel Selector)
70-3		#5x1/2" RHWS Steel N.P. (2 used to mt. S-17306)
70-86		#6x5/8" Washer Hd. Wood Screw St.Br. (5 used to mt. S-17347)
72-81		#8x3/4" Phill. Fit. Hd. Wood Screw St. Br. (4 used to mt. S-17307)
74-58		Ventilating Screen
78-787		Two Contact Socket
80-826		Grounding Spring
80-828		Door Return Spring
112-758		4-40x1/4" RHST Cad. (8 used on Esc. mtg.)
114-80		1/4-20x1-3/8" Hex. Washer Hd. M.S. (4 used chassis Mtg.)
114-341		#6x3/8" Hex. Hd. S.T. Cad. (used on 80-826)
114-353		#6x1/4" Hex. Hd. S.T. Cad. (used 4 on Esc. Mtg.)
192-136		Protective Glass
196-148		Glass Gasket
196-160		Rubber Gasket
202-829		Instruction Book
S-17306		Antenna Terminal & Wire Assy.
S-17307		Cabinet Antenna Assy.
S-17347		Cabinet Back Assy. (Complete)
S-17497		Cover & Nameplate Assy.

CABINET PARTS H2227R & RQ

Model H2227R is the same as H2227E except for the following:

OMIT:

14-1266E	Cabinet for H2227E Table Model
46-833	Volume Control Knob
46-889	Channel Selector Knob

ADD:

14-1266R	Cabinet for H2227R Table Model
46-888	Channel Selector Knob
46-890	Vol. Control Knob

CABINET PARTS H2250R & RQ

11-106	Line Cord & Plug 9' lg.
12-1797	Clamping Guide Brkt. (2 used)
14-1260R	Cabinet for H2250R
16-640	Packing Carton
24-446	AC Line Cord Plug Cover
24-555	Control Cover (use S-17497)
46-885	Contrast Control Knob
46-887	Horizontal Hold Knob
46-888	Channel Selector Knob

Diag. No.	Part No.	Description
	46-890	Volume Control Knob
	46-893	Brightness Control Knob
	46-895	Fine Tuning Knob
	46-896	Vertical Hold Knob
SP1	49-649	10" PM Speaker ZC10161 Cone
	56-286	Cover Hinge Pin
	57-1481	Esc. Clamping Plate (3 used)
	57-1670	Glass Retaining Plate
	57-1672	Nameplate (use S-17497)
	57-1673	Escutcheon
	57-1678	Escutcheon (Vol. Control)
	57-1679	Escutcheon (Channel Selector)
	70-3	#5x1/2" RHWS Steel N.P. (2 used to mt. S-17305)
	70-86	#6x5/8" Washer Hd. Wood Screw St.Br. (5 used on Esc. Mtg.)
	72-81	#8x3/4" Phill. Fit. Hd. Wood Screw St. Br. (5 used on Esc. mtg.)
	74-58	Ventilating Screen
	78-787	Two Contact Socket
	80-826	Grounding Spring
	80-828	Door Return Spring
	112-758	4-40x1/4" RHST Cad. (8 used Esc. mtg.)
	114-80	1/4-20x1-3/8" Hex. Washer Hd. M.S. (4 used chassis mtg)
	114-341	#6x3/8" Hex. Hd. S.T. (used on 80-826)
	114-353	#6x1/4" Hex. Hd. S.T. (4 used on Esc. Mtg.)
	165-9	Metal Glide (4 used)
	192-136	Protective Glass
	196-148	Glass Gasket
	196-160	Rubber Gasket
	202-829	Instruction Book
	S-17198	Cabinet Back Assy. (Comp.)
	S-17305	Antenna Terminal & Wire Assy.
	S-17444	Cabinet Antenna Assy. (Complete)
	S-17497	Cover & Nameplate Assy.

Model H2255E is the same as H2250R except for the following:

OMIT:

14-1260R	Cabinet for H2250R Console Model
16-640	Packing Carton
46-888	Channel Selector Knob
46-890	Vol. Control Knob
165-9	Metal Glide (4 used)

ADD:

14-1256E	Cabinet for H2255E Console Model
16-635	Packing Carton
46-833	Vol. Control Knob
46-889	Channel Selector Knob
165-13	Metal Glide (4 used)

CABINET PARTS H2437E

11-106	Line Cord & Plug - 9' lg.
14-1258E	Cabinet for H2437E Console Model.
16-637	Packing Carton
24-446	AC Line Cord Plug Cover
40-89	Cabinet Door Hinge (2 used)
46-833	Volume Control Knob
46-885	Contrast Control Knob
46-887	Horizontal Hold Knob
46-889	Channel Selector Knob
46-893	Brightness Control Knob
46-895	Fine Tuning Knob
49-649	10" PM Speaker ZC10161 Cone
56-286	Cover Hinge Pin
57-1270	Strike Plate
57-1481	Esc. Clamping Plate (3 used)
57-1670	Glass Retaining Plate (4 used)

Diag. No.	Part No.	Description
	57-1671	Escutcheon
	57-1678	Esc. (Vol. Control)
	57-1679	Esc. (Channel Selector)
	70-3	#5x1/2" RHWS Steel (2 used to mt. S-17305)
	70-86	#6x5/8" Washer Hd. Wood Screw Stat. Br. (4 used to mt. S-17192)
	74-58	Ventilating Screen
	78-787	Two Contact Socket
	80-826	Grounding Spring
	80-828	Door Return Spring
	112-813	4-40x5/16" RHST (8 used on Esc. mtg.)
	114-80	1/4-20x1-3/8" Hex. Wash- er Hd. M.S. (4 used to mt. chassis & 2 used to mt. power supply.)
	114-201	#8x5/16" Hex. Hd. Sl. S.T. (used on power supply)
	114-313	#8x1/2" Hex. Hd. S.T. (3 used on Esc. Mtg.)
	114-341	#6x3/8" Hex. Hd. S.T. (used on 80-826)
	156-33	Bullet Catch
	165-13	Metal Glide (4 used)
	166-57	Tack Bumper (2 used)
	192-137	Protective Glass
	196-149	Glass Gasket
	202-829	Instruction Book
	S-17189	Power Supply (Complete)
	S-17192	Cabinet Back Assy.
	S-17305	Antenna Terminal & Wire Assy.
	S-17444	Cabinet Antenna Assy. (Complete)
	S-17497	Cover & Nameplate Assy.

CABINET PARTS H2437R

Model H2437R is the same as H2437E except for the following:

OMIT:

14-1258E	Cabinet for H2437E Console Model
40-89	Cabinet Door Hinge (2 used)
46-833	Volume Control Knob
46-889	Channel Selector Knob
57-1270	Strike Plate
156-33	Bullet Catch
166-57	Tack Bumper

ADD:

14-1258R	Cabinet for H2437R Console Model
40-90	Cabinet Door Hinge (2 used)
46-888	Channel Selector Knob
46-890	Volume Control Knob
57-1284	Strike Plate
156-35	Bullet Catch
166-55	Tack Bumper

CABINET PARTS H2438R

11-106	Line Cord & Plug - 9' lg.
14-1259R	Cabinet for H2438R Console Model
16-638	Packing Carton
24-446	AC Line Cord Plug Cover
46-885	Contrast Control Knob
46-887	Horizontal Hold Knob
46-888	Channel Selector Knob
46-890	Volume Control Knob
46-893	Brightness Control Knob
46-895	Fine Tuning Knob
46-896	Vertical Hold Knob
49-649	10" PM Speaker ZC10161 Cone
56-286	Cover Hinge Pin
57-1481	Esc. Clamping Plate (3 used)
57-1670	Glass Retaining Plate (4 used)
57-1671	Escutcheon
57-1678	Escutcheon (Vol. Control)
57-1679	Escutcheon (Channel Selector)

Diag. No.	Part No.	Description
T3	S-16604	3rd. Video I.F. Trans. Assy.
T4	S-16605	4th. Video I.F. Trans. Assy.
L57	S-16738	Intercarrier Sound I.F. Coil Assembly
L84	S-16984	Filament Choke Coil Assy.
L85	S-17505	Inverter Plate Peaking Coil Assembly
T5	S-17614	5th Video I.F. Trans. Assy.
	S-17635	Video I.F. Strip Assy. (Complete)

MODEL H3469E & EQ - H3475R & RQ - H3267R & RQ
(24H20 & 10H20) (24H20 & 10H20) (24H20 & 8H20)

MODEL H3469E CABINET PARTS

2-199	Cabinet Back (Phono Section)
11-106	Line Cord & Plug - 9 ft. lg.
12-1797	Clamping Guide Brkt. (2 used on Esc. Mtg.)
14-1263E	Cabinet for H3469E Console Combination Model
16-644	Packing Carton - Inner Pack
16-645	Packing Carton - Outer Pack
19-9	Cable Clip
19-169	Record Changer Mtg. Clip (2 used)
19-210	Loop Connector Clip (2 used)
24-535	Line Cord Plug Cover
46-833	Volume Control Knob
46-876	Tuning Control Knob
46-885	Contrast Control Knob
46-887	Horizontal Hold Knob
46-889	Channel Selector Knob
46-893	Brightness Control Knob
46-895	Fine Tuning Knob
46-896	Vertical Hold Knob
46-899	Band Switch Knob
49-694	12" P.M. Speaker ZC12161 Cone & Voice Coil
56-286	Cover Hinge Pin
57-1284	Strike Plate (2 used)
57-1481	Escutcheon Clamping Plate (7 used)
57-1666	Radio Dial Esc.
57-1670	Glass Retaining Plate (2 used)
57-1671	Television Esc.
57-1678	Esc. (Vol. Control)
57-1679	Esc. (Channel Selector)
70-86	#6 x 5/8 Washer Hd. Wood Screw - St. Br. (11 used to mt. backs)
72-81	#8 x 3/4" Phillips Flt. Hd. Wood Screw St. Br. (4 used to mt. S-16890)
74-58	Ventilating Screen
74-71	Ventilating Screen
78-787	Two Contact Socket
80-604	Hinge Spring (2 used)
80-826	Grounding Spring
80-828	Door Return Spring
80-830	Record Changer Mtg. Spring
93-168	Rubber Shoulder Washer (4 used)
112-808	#6 x 5/16 Phill. Rd. Hd. S.T. (4 used Mtg. Radio Esc.)
112-809	Record Changer Mtg. Screw (3 used)
112-813	4-40 x 5/16 R.H.S.T. (8 used to mt. TV esc.)
114-201	#8 x 5/16 Hex Hd. S. T. (used on pwr. supply) Chassis & 3 used mtg. pwr. supply)
114-341	#6 x 3/8 Hex Hd. S.T. (used on 80-826)
114-350	#8 x 7/16" Hex Hd. Sl. S. T. (4 used on Radio esc. mtg.)
126-650	Heat Shield
156-35	Bullet Catch (2 used)
159-50	Plug Button (2 used)
165-9	Metal Glide (2 used)
165-14	Metal Glide (2 used)
166-57	Tack Bumper (2 used)

Diag. No.	Part No.	Description
	188-54	Knob Clamping Ring (46-876)
	192-137	Protective Glass (TV)
	192-138	Dial Glass (Radio)
	196-149	Glass Gasket (TV)
	202-829	TV Instruction Book
	202-851	Radio-Phono Instruction Book.
	S-14029	Variable Speed Record Changer
	S-15528	Low Impedance Loop Assy.
	S-15536	Record Changer Compt. Hinge Brkt. & Link Assy. (2 used)
	S-15780	Cobra Tone Arm Cartridge
	S-16419	Record Adapter Plug & Envelope Assembly

S-16890	Cabinet Antenna Assy. (Complete)
S-17005	Record Changer Mtg. Frame Assembly
S-17167	Vol. Control Knob Assy.
S-17189	Power Supply Assy. (Compl)
S-17255	Radiorgan Cable Assy.
S-17264	Cabinet Back Assy. (Compl) (TV)
S-17328	Loop Loading Coil Assy.
S-17497	Cover & Nameplate Assy.
S-17556	Antenna Terminal & Wire Assembly

RADIORGAN ESCUTCHEON PARTS

76-444	Radiorgan Knob Shaft
114-297	#6 x 1/4 Hex Hd. Sl. S.T. (2 ea. used on S-17252 & S-17253)
S-14255	Radiorgan Mtg. Brkt. Assy (2 used)
S-17246	Radiorgan Knob & Eyelet Assy. (Treble)
S-17247	Radiorgan Knob & Eyelet Assy. (Voice)
S-17248	Radiorgan Knob & Eyelet Assy. (Alto)
S-17249	Radiorgan Knob & Eyelet Assy. (Bass)
S-17250	Radiorgan Knob & Eyelet Assy. (Lo-Bass)
S-17251	Radiorgan Knob & Eyelet Assy. (Normal)
S-17252	Radiorgan Esc. & Knob Assy. (R.H.)
S-17253	Radiorgan Esc. & Knob Assy. (L.H.)

MODEL H3475R CABINET PARTS

Model H3475R is the same as Model H3469E except the following:

OMIT:

2-199	Cabinet Back (Phono Section)
14-1263E	Cabinet for H3469E Console Combination Model
16-644	Packing Carton - Inner Pack
16-645	Packing Carton - Outer Pack
46-833	Vol. Control Knob
46-889	Channel Selector Knob
126-650	Heat Shield
166-57	Tack Bumper (2 used)

ADD:

2-197	Cabinet Back (Phono Section)
14-1261R	Cabinet for H3475R Console Combination
16-642	Packing Carton - Inner Pack
16-643	Packing Carton - Outer Pack
46-888	Channel Selector Knob
46-890	Vol. Control Knob
126-649	Heat Shield
166-55	Tack Bumper

MODELS H3267 & H3267R CABINET PARTS

2-209	Cabinet Back (Phono Section)
11-106	Line Cord & Plug - 9 ft. lg. (TV Back)

Part No.	Description
11-109	Line Cord & Plug - 3 ft. lg. (Radio Back)
12-1797	Clamping Guide Brkt. (2 used on TV Esc. Mtg.)
14-1271	Cabinet for H3267 Console Combination
14-1271R	Cabinet for H3267R Console Combination
16-654	Packing Carton - Inner Pack
16-655	Packing Carton - Outer Pack
19-169	Record Changer Mtg. Clip (2 used)
24-535	Line Cord Plug Cover
46-873	Tone Control Knob
46-876	Tuning Control Knob
46-885	Contrast Control Knob
46-887	Horizontal Hold Knob
46-888	Channel Selector Knob
46-890	Vol. Control Knob
46-893	Brightness Control Knob
46-895	Fine Tuning Knob
46-896	Vertical Hold Knob
46-899	Band Switch Knob
49-694	12" P.M. Speaker ZC12161 Cone & Voice Coil
56-286	Cover Hinge Pin
57-1284	Strike Plate (2 Used)
57-1481	Esc. Clamping Plate
57-1658	Radio Dial Esc.
57-1670	Glass Retaining Plate (TV)
57-1671	Television Esc.
57-1678	Esc. (Vol. Control)
57-1679	Esc. (Channel Selector)
70-86	#6 x 5/8 Washer Hd. Wood Screw St. Br. (15 used to mt. backs)
72-81	#8 x 3/4" Phill. Flt. Hd. Wood Screw St. Br. (4 used to mt. S-16890)
74-58	Ventilating Screen
74-75	Ventilating Screen
78-787	Two Contact Socket (TV Back)
78-847	Two Contact Socket (Radio Back)
80-604	Hinge Spring (2 used)
80-826	Grounding Spring
80-828	Door Return Spring
80-830	Record Changer Mtg. Spring (4 used)
93-1059	Felt Washer (used on 46-873)
97-293	Chassis Mtg. Insulating Stud (3 used)
100-97	Pilot Light Bulb
112-809	Record Changer Mtg. Screw (3 used)
112-813	4-40 x 5/16" R.H.S.T. (8 used on TV Esc. Mtg.)
114-80	1/4-20 x 1-3/8" Hex Hd. (4 used to mt. TV Chassis) (3 used to mt. Pwr. Supply)
114-128	#10 x 1-1/16" Hex Washer Hd. S.T. (3 used to mt. radio chassis)
114-201	#8 x 5/16 Hex Hd. S. T. (used on pwr. supply)
114-341	#6 x 3/8 Hex Hd. S. T. (used on 80-826)
114-350	#8 x 7/16" Hex Hd. Sl. S. T. (4 used on Radio Esc. Mtg.)
126-648	Heat Shield
156-35	Bullet Catch (2 used)
159-50	Plug Button (2 used)
165-9	Metal Glide (2 used)
165-14	Metal Glide (2 used)
166-55	Tack Bumper (2 used)
188-54	Knob Clamping Ring (46-876)
192-137	Protective Glass (TV)
192-138	Dial Glass (Radio)
196-149	Glass Gasket (TV)
202-829	Television Instruction Book
202-850	Radio-Phono Instruction Book

Part No.	Description
70-3	#5x1/2" RHWS Steel N.P. (2 used S-17305)
70-86	#6x5/8" Washer Hd. Wood Screw Stat. Br. (4 used on S-17192)
72-81	#8x3/4 Phillips Flt. Hd. Wood Screw Stat. Br. (4 used on S-17444)
78-787	Two Contact Socket
80-826	Grounding Spring
80-828	Door Return Spring
112-813	4-40x5/16" RHST Cad. (8 used on Esc. Mtg.)
114-80	1/4-20x1-3/8" Hex Washer Hd. M.S. (4 used chassis mtg. (3 used pwr supply mtg.))
114-201	#8x5/16" Hex. Hd. Sl. S.T. (used on Power Supply)
114-313	#8x1/2" Hex. Hd. S.T. (3 used on Esc. Mtg.)
114-341	#6x3/8" Hex. Hd. S.T. (used on 80-826)
165-13	Metal Glide (4 used)
192-137	Protective Glass
196-149	Glass Gasket
202-829	Instruction Book
S-17189	Power Supply (Complete)
S-17192	Cabinet Back Assy. (Complete)
S-17305	Antenna Terminal & Wire Assy.
S-17444	Cabinet Antenna Assy.
S-17497	Cover & Nameplate Assy.
CABINET PARTS H2439R	
11-106	Line Cord & Plug - 9' Ig.
14-1257R	Cabinet for H2439R console model
16-634	Packing Carton
24-446	AC Line Cord Plug Cover
46-885	Contrast Control Knob
46-887	Horizontal Hold Knob
46-888	Channel Selector Knob
46-890	Volume Control Knob
46-893	Brightness Control Knob
46-895	Fine Tuning Knob
46-896	Vertical Hold Knob
49-687	12" PM Speaker ZC12161 Cone
56-286	Cover Hinge Pin
57-1284	Strike Plate (2 used)
57-1481	Esc. Clamping Plate (3 used)
57-1670	Glass Retaining Plate (4 used)
57-1671	Escutcheon
57-1678	Esc. (Volume Control)
57-1679	Esc. (Channel Selector)
70-3	#5x1/2" RHWS Steel N.P. (2 used on S-17305)
70-86	#6x5/8" Washer Hd. Wood Screw St. Br. (4 used on S-17192)
72-81	#8x3/4 Phil. Flt Hd Wood Screw (St.Br.) (4 used on S-17444)
74-58	Ventilating Screen
78-787	Two Contact Socket
80-826	Grounding Spring
80-828	Door Return Spring
112-813	4-40x5/16" RHST Cad. (8 used on Esc. Mtg.)
114-80	1/4-20x1-3/8" Hex. Washer Hd. M.S. (4 used on chassis mtg. & 3 used pwr supply)
114-201	#8x5/16" Hex Hd Sl. S.T. (used on pwr supply)
114-341	#6x3/8" Hex Hd. S.T. Cad. (used on 80-826)
125-79	Rubber Grommet (4 used on 138-39)
138-39	Cabinet Grille
165-13	Metal Glide (4 used)
192-137	Protective Glass
196-149	Glass Gasket
202-829	Instruction Book
S-17189	Power Supply Assy. (complete)
S-17192	Cabinet Back Assy. (complete)
S-17305	Antenna Terminal & Wire Assy-
S-17444	Cabinet Antenna Assy. (complete)
S-17497	Cover & Nameplate Assy.
SPECIAL TEST EQUIPMENT FOR TV	
68-7	Alignment Wrench
68-13	Alignment Tool
68-14	Tuning Wand
68-17	Adjustment Wrench for Master Oscillator and Sound Trap Adjustments
68-18	Trap Adjustments on RF Shelf
68-19	18" Insulated Screwdriver for Hum and AGC adjustments
95-1234	Nylon Alignment Wrench
95-1234	250 Watt Isolation Transformer

Part No.	Description
196-149	Glass Gasket
202-829	Instruction Book
S-17189	Power Supply Assy. (Complete)
S-17192	Cabinet Back Assy. (Complete)
S-17305	Antenna Terminal & Wire Assy.
S-17444	Cabinet Antenna Assy. (complete)
S-17497	Cover & Nameplate Assy.
CABINET PARTS H2449E	
11-106	Line Cord & Plug - 9' Ig.
14-1255E	Cabinet for H2449E Console Cabinet.
16-633	Packing Carton
24-446	AC Line Cord Plug Cover
46-833	Volume Control Knob
46-885	Contrast Control Knob
46-887	Horizontal Hold Knob
46-889	Channel Selector Knob
46-893	Brightness Control Knob
46-895	Fine Tuning Knob
46-896	Vertical Hold Knob
49-687	12" PM Speaker ZC12161 Cone
56-286	Cover Hinge Pin
57-1481	Esc. Clamp. Plate (3 used)
57-1670	Glass Retaining Plate (4 used)
57-1671	Escutcheon
57-1678	Esc. (Vol. Control)
57-1679	Esc. (Channel Selector)
70-3	#5x1/2" RHWS Steel N.P. (2 used on S-17305)
70-86	#6x5/8" Washer Hd. Wood Screw St. Br. (4 used on S-17192)
70-160	#8x1" Phill. RHWS (4 used on 138-39)
72-81	#8x3/4" Phill. Flt. Hd. Wood Screw St. Br. (4 used on S-17444)
74-58	Ventilating Screen
78-787	Two Contact Socket
80-826	Grounding Spring
80-828	Door Return Spring
112-813	4-40x5/16" RHST Cad. (8 used on Esc. Mtg.)
114-80	1/4-20x1-3/8" Hex. Washer Hd. M.S. (4 used on chassis mtg. & 3 used pwr supply)
114-201	#8x5/16" Hex Hd Sl. S.T. (used on pwr supply)
114-341	#6x3/8" Hex Hd. S.T. Cad. (used on 80-826)
125-79	Rubber Grommet (4 used on 138-39)
138-39	Cabinet Grille
165-13	Metal Glide (4 used)
192-137	Protective Glass
196-149	Glass Gasket
202-829	Instruction Book
S-17189	Power Supply Assy. (complete)
S-17192	Cabinet Back Assy. (complete)
S-17305	Antenna Terminal & Wire Assy-
S-17444	Cabinet Antenna Assy. (complete)
S-17497	Cover & Nameplate Assy.
SPECIAL TEST EQUIPMENT FOR TV	
68-7	Alignment Wrench
68-13	Alignment Tool
68-14	Tuning Wand
68-17	Adjustment Wrench for Master Oscillator and Sound Trap Adjustments
68-18	Trap Adjustments on RF Shelf
68-19	18" Insulated Screwdriver for Hum and AGC adjustments
95-1234	Nylon Alignment Wrench
95-1234	250 Watt Isolation Transformer

S-15369	Generator Test Unit
S-15371	Coupling Ring
S-15521	AC Test Cord for TV Chassis
S-15627	Balance Transformer (Ant)
S-15729	Balance Transformer (Receiver)
S-17303	Step Attenuator
PARTS SUPPLEMENT	
S-17635 VIDEO I.F. ASSEMBLY	

(Also refer to Parts List for S-17064 I.F. Assembly)
The S-17635 Video I.F. Assembly is interchangeable with the S-17064 units used in early production "H" series receivers. The new I.F. can be identified by the oblong shaped can which houses the 5th IF transformer.

19-209	Coil Mtg. Clip
C29	22-3 .01 Mfd. Ceramic (Disc) (4 used) 500V
C27	22-4 .004 Mfd. Ceramic (Disc) (or 22-1706)(2 used) 500V
C57	22-1138 470 Mfd. Mica (molded) 500V
C30	22-1761 50 Mmfd. Ceramic 500V
C72	22-1777 0.1 Mfd. 200V
C28	22-1874 7 Mmfd. Ceramic 500V
C31	22-2106 10 Mmfd. Ceramic 500V
C26	22-2143 470 Mmfd. Ceramic (4 used) 500V
C22	22-2216 500 Mmfd. Ceramic (4 used) 500V
C32	22-2218 .001 Mfd. Ceramic 500V
54-271	#6-32x1/4" Hex Nut Inverted Type (2 used on each I.F.)
56-292	Coil Insert Ret. Pin
R99	63-1101 8200 ohm 2W 10% Ins.
R9	63-1736 68 ohm 1/2W 10% Ins.
R12	63-1743 100 ohm 1/2W 10% Ins.
R1	63-1750 150 ohm 1/2W 10% Ins.
R91	63-1754 180 ohm 1/2W 10% Ins.
R21	63-1771 470 ohm 1/2W 10% Ins.
R13	63-1772 470 ohm 1/2W 20% (6 used) Ins.
R33	63-1782 820 ohm 1/2W 10% Ins.
R6	63-1785 1000 ohm 1/2W 10% Ins.
R23	63-1799 2200 ohm 1/2W 10% Ins.
R61	63-1813 4700 ohm 1/2W 10% Ins.
R51	63-1820 6800 ohm 1/2W 10% Ins.
R89	63-1848 33K ohm 1/2W 10% Ins.
R10	63-1849 33K ohm 1/2W 20% Ins.
R47	63-1862 68K ohm 1/2W 10% Ins.
R49	63-1884 220K ohm 1/2W 20% Ins.
R22	63-1890 330K ohm 1/2W 10% Ins.
R18	63-1912 1 Megohm 1/2W 20% Ins.
R93	63-1979 68K ohm 1W 10% Ins.
78-876	Miniature Tube Socket (Nine Contact)
78-905	Miniature Tube Socket (5 used)
94-538	Tuning Slug Insert (1 ea. used on S-16013 & S-16738)
94-706	Tuning Slug Insert (1 ea. used on S-16275 - S-16604 & S-16605)
94-742	Tuning Slug Insert (used on S-16274)
94-750	Tuning Slug Insert (used on S-17613)
A2	103-1 Crystal Diode (1N64)
125-69	Rubber Grommet (2 used)
126-661	Tube Shield
149-71	Iron Core (used on S-16984)
149-89	Iron Core (1 ea. used on S-16738 & S-16013)
149-96	Iron Core (1 ea. used on S-16274-75 - S-16604-05 & S-17614)
L55	S-15128 B+ Choke Coil Assembly
L56	S-16011 Shunt Peaking Coil Assy.
L58	S-16013 Quadrature Coil Assy.
T1	S-16274 1st. Video I.F. Trans. Assy.
T2	S-16275 2nd. Video I.F. Trans. Assy.

CHASSIS 22H20, 23H22, 23H22Z, 24H20, 24H21

Diag. No.	Part No.	Description
CABINET PARTS H2227E & EQ		
11-106		Line Cord & Plug 9' lg.
12-1797		Clamping Guide Brkt.
14-1266E		Cabinet for H2227E Table Model
16-651		Packing Carton
24-446		AC Line Cord Plug Cover
24-555		Control Cover (use S-17497)
46-833		Vol. Control Knob
46-885		Contrast Control Knob
46-887		Horiz. Hold Knob
46-889		Channel Selector Knob
46-893		Brightness Control Knob
46-895		Fine Tuning Knob
46-896		Vertical Hold Knob
49-679		5-1/4" PM Speaker ZC5093 Cone
56-286		Cover Hinge Pin
57-1481		Esc. Clamping Plate (3 used)
57-1670		Glass Retaining Plate
57-1672		Nameplate (use S-17497)
57-1673		Escutcheon
57-1678		Esc. (Vol. Control)
57-1679		Esc. (Channel Selector)
70-3		#5x1/2" RHWS Steel N.P. (2 used to mt. S-17306)
70-86		#6x5/8" Washer Hd. Wood Screw St.Br. (5 used to mt. S-17347)
72-81		#8x3/4" Phill. Flt. Hd. Wood Screw St. Br. (4 used to mt. S-17307)
74-58		Ventilating Screen
78-787		Two Contact Socket
80-826		Grounding Spring
80-828		Door Return Spring
112-758		4-40x1/4" RHST Cad. (8 used on Esc. mtg.)
114-80		1/4-20x1-3/8" Hex. Washer Hd. M. S. (4 used chassis Mtg.)
114-341		#6x3/8" Hex. Hd. S.T. Cad. (used on 80-826)
114-353		#6x1/4" Hex. Hd. S.T. Cad. (used 4 on Esc. Mtg.)
192-136		Protective Glass
196-148		Glass Gasket
196-160		Rubber Gasket
202-829		Instruction Book
S-17306		Antenna Terminal & Wire Assy.
S-17307		Cabinet Antenna Assy.
S-17347		Cabinet Back Assy. (Complete)
S-17497		Cover & Nameplate Assy.

CABINET PARTS H2227R & RQ

Model H2227R is the same as H2227E except for the following:

- OMIT:
- 14-1266E Cabinet for H2227E Table Model
- ADD:
- 46-833 Volume Control Knob
 - 46-889 Channel Selector Knob
 - 14-1266R Cabinet for H2227R Table Model
 - 46-888 Channel Selector Knob
 - 46-890 Vol. Control Knob

CABINET PARTS H2250R & RQ

- 11-106 Line Cord & Plug 9' lg.
- 12-1797 Clamping Guide Brkt. (2 used)
- 14-1260R Cabinet for H2250R
- 16-640 Packing Carton
- 24-446 AC Line Cord Plug Cover
- 24-555 Control Cover (use S-17497)
- 46-885 Contrast Control Knob
- 46-887 Horizontal Hold Knob
- 46-888 Channel Selector Knob

Diag. No.	Part No.	Description
	46-890	Volume Control Knob
	46-893	Brightness Control Knob
	46-895	Fine Tuning Knob
	46-896	Vertical Hold Knob
SP1	49-649	10" PM Speaker ZC10161 Cone
	56-286	Cover Hinge Pin
	57-1481	Esc. Clamping Plate (3 used)
	57-1670	Glass Retaining Plate
	57-1672	Nameplate (use S-17497)
	57-1673	Escutcheon
	57-1678	Escutcheon (Vol. Control)
	57-1679	Escutcheon (Channel Selector)
	70-3	#5x1/2" RHWS Steel N.P. (2 used to mt. S-17305)
	70-86	#6x5/8" Washer Hd. Wood Screw St.Br. (5 used on Esc. Mtg.)
	72-81	#8x3/4" Phill. Flt. Hd. Wood Screw St. Br. (5 used on Esc. mtg.)
	74-58	Ventilating Screen
	78-787	Two Contact Socket
	80-826	Grounding Spring
	80-828	Door Return Spring
	112-758	4-40x1/4" RHST Cad. (8 used Esc. mtg.)
	114-80	1/4-20x1-3/8" Hex. Washer Hd. M.S. (4 used chassis mtg)
	114-341	#6x3/8" Hex. Hd. S.T. (used on 80-826)
	114-353	#6x1/4" Hex. Hd. S.T. (4 used on Esc. Mtg.)
	165-9	Metal Glide (4 used)
	192-136	Protective Glass
	196-148	Glass Gasket
	196-160	Rubber Gasket
	202-829	Instruction Book
	S-17198	Cabinet Back Assy. (Comp.)
	S-17305	Antenna Terminal & Wire Assy.
	S-17444	Cabinet Antenna Assy. (Complete)
	S-17497	Cover & Nameplate Assy.

Model H2255E is the same as H2250R except for the following:

- OMIT:
- 14-1260R Cabinet for H2250R Console Model
- ADD:
- 16-640 Packing Carton
 - 46-888 Channel Selector Knob
 - 46-890 Vol. Control Knob
 - 165-9 Metal Glide (4 used)
 - 14-1256E Cabinet for H2255E Console Model
 - 16-635 Packing Carton
 - 46-833 Vol. Control Knob
 - 46-889 Channel Selector Knob
 - 165-13 Metal Glide (4 used)

CABINET PARTS H2437E

- 11-106 Line Cord & Plug - 9' lg.
- 14-1258E Cabinet for H2437E Console Model.
- 16-637 Packing Carton
- 24-446 AC Line Cord Plug Cover
- 40-89 Cabinet Door Hinge (2 used)
- 46-833 Volume Control Knob
- 46-885 Contrast Control Knob
- 46-887 Horizontal Hold Knob
- 46-889 Channel Selector Knob
- 46-893 Brightness Control Knob
- 46-895 Fine Tuning Knob
- 49-649 10" PM Speaker
ZC10161 Cone
- 56-286 Cover Hinge Pin
- 57-1270 Strike Plate
- 57-1481 Esc. Clamping Plate (3 used)
- 57-1670 Glass Retaining Plate (4 used)

Diag. No.	Part No.	Description
	57-1671	Escutcheon
	57-1678	Esc. (Vol. Control)
	57-1679	Esc. (Channel Selector)
	70-3	#5x1/2" RHWS Steel (2 used to mt. S-17305)
	70-86	#6x5/8" Washer Hd. Wood Screw Stat. Br. (4 used to mt. S-17192)
	74-58	Ventilating Screen
	78-787	Two Contact Socket
	80-826	Grounding Spring
	80-828	Door Return Spring
	112-813	4-40x5/16" RHST (8 used on Esc. mtg.)
	114-80	1/4-20x1-3/8" Hex. Washer Hd. M.S. (4 used to mt. chassis & 2 used to mt. power supply.)
	114-201	#8x5/16" Hex. Hd. Sl. S.T. (used on power supply)
	114-313	#8x1/2" Hex. Hd. S.T. (3 used on Esc. Mtg.)
	114-341	#6x3/8" Hex. Hd. S.T. (used on 80-826)
	156-33	Bullet Catch
	165-13	Metal Glide (4 used)
	166-57	Tack Bumper (2 used)
	192-137	Protective Glass
	196-149	Glass Gasket
	202-829	Instruction Book
	S-17189	Power Supply (Complete)
	S-17192	Cabinet Back Assy.
	S-17305	Antenna Terminal & Wire Assy.
	S-17444	Cabinet Antenna Assy. (Complete)
	S-17497	Cover & Nameplate Assy.

CABINET PARTS H2437R

Model H2437R is the same as H2437E except for the following:

- OMIT:
- 14-1258E Cabinet for H2437E Console Model
- ADD:
- 40-89 Cabinet Door Hinge (2 used)
 - 46-833 Volume Control Knob
 - 46-889 Channel Selector Knob
 - 57-1270 Strike Plate
 - 156-33 Bullet Catch
 - 166-57 Tack Bumper
 - 14-1258R Cabinet for H2437R Console Model
 - 40-90 Cabinet Door Hinge (2 used)
 - 46-888 Channel Selector Knob
 - 46-890 Volume Control Knob
 - 57-1284 Strike Plate
 - 156-35 Bullet Catch
 - 166-55 Tack Bumper

CABINET PARTS H2438R

- 11-106 Line Cord & Plug - 9' lg.
- 14-1259R Cabinet for H2438R Console Model
- 16-638 Packing Carton
- 24-446 AC Line Cord Plug Cover
- 46-885 Contrast Control Knob
- 46-887 Horizontal Hold Knob
- 46-888 Channel Selector Knob
- 46-890 Volume Control Knob
- 46-893 Brightness Control Knob
- 46-895 Fine Tuning Knob
- 46-896 Vertical Hold Knob
- 49-649 10" PM Speaker
ZC10161 Cone
- 56-286 Cover Hinge Pin
- 57-1481 Esc. Clamping Plate (3 used)
- 57-1670 Glass Retaining Plate (4 used)
- 57-1671 Escutcheon
- 57-1678 Escutcheon (Vol. Control)
- 57-1679 Escutcheon (Channel Selector)

Diag. Part
No. No. Description

CABINET PARTS FOR H3478E & EQ (cont'd.)

202-829 Instruction Book (TV)
202-849 Instruction Book (EQ Model)
202-851 Instruction Book (Radio-Phono)
S-14029 Variable Speed Record Changer
S-15536 Record Changer Compt. Hinge Brkt. & Link Assy. (2 used)
S-15780 Cobra Tone Arm Cartridge
S-16419 Record Adapter Plug & Envelope Assembly
S-17005 Record Changer Mtg. Frame Assembly
S-17167 Volume Control Knob Assy.
S-17189 Power Supply Assy. (Complete)
S-17255 Radiorgan Cable Assy.
S-17266 Remote Control Assy. (used on EQ Models)
S-17267 Hand Control & Cable Assy. (used on EQ Models)
S-17293 Cabinet Antenna Assy.
S-17305 Antenna Terminal & Wire Assembly
S-17325 Low Impedance Loop Assembly
S-17328 Loop Loading Coil Assy.
S-17351 Cabinet Back (TV)
S-17497 Cover & Nameplate Assy.

RADIORGAN ESCUTCHEON PARTS

76-444 Radiorgan Knob Shaft
114-297 #6x1/4 Hex. Hd. Sl. S. T. (2 ea. used on S-17252 & S-17253)
S-14255 Radiorgan Mtg. Brkt. Assy. (2 used)
S-17246 Radiorgan Knob & Eyelet Assembly (Treble)
S-17247 Radiorgan Knob & Eyelet Assembly (Voice)
S-17248 Radiorgan Knob & Eyelet Assembly (Alto)
S-17249 Radiorgan Knob & Eyelet Assembly (Bass)
S-17250 Radiorgan Knob & Eyelet Assembly (Lo-Bass)
S-17251 Radiorgan Knob & Eyelet Assembly (Normal)
S-17252 Radiorgan Esc. & Knob Assembly (R.H.)
S-17253 Radiorgan Esc. & Knob Assembly (L.H.)

CABINET PARTS FOR H3477R & RQ

Model H3477R & RQ is the same as H3478E & EQ except the following:

OMIT:

2-207 Cabinet Back (Phono Section)
14-1270E Cabinet for H3478E & EQ Console Combination Model
16-652 Packing Carton - Inner Pack
16-653 Packing Carton - Outer Pack
46-833 Volume Control Knob
46-889 Channel Selector Knob
57-1270 Strike Plate (2 used)
156-33 Bullet Catch (2 used)
166-57 Tack Bumper (2 used)
S-17351 Cabinet Back Assy. (TV)

ADD:

2-201 Cabinet Back (Phono Section)
14-1267R Cabinet for H3477R & RQ Console Combination Model
16-647 Packing Carton - Inner Pack
16-648 Packing Carton - Outer Pack
46-888 Channel Selector Knob
46-890 Volume Control Knob
57-1284 Strike Plate

Diag. Part
No. No. Description

CABINET PARTS H3477R & RQ (cont'd.)

156-35 Bullet Catch (2used)
166-55 Tack Bumper (2 used)
S-17308 Cabinet Back Assy. (TV)

MODELS H2328RZ & RQZ - H2329RZ
H2352RZ & RQZ - H2353EZ & EQZ - H2328EZ

23H22Z Main Chassis

12-1756 Pilot Light Brkt.
15-99 Corona Cap
19-166 Coil Mtg. Clip (used on S-17114)
19-175 Coil Mtg. Clip (1 ea. used on S-17176 - S-16855 - S-17116 S-17175)
C29 22-3 .01 Mfd. Ceramic (Disc) (2 used) 500V
C27 22-4 .004 Mfd. Ceramic (Disc) (2 used) 500V
C52 22-365 100 Mmfd. Mica (Molded) 500V
C61 22-470 150 Mmfd. Mica (Molded) 500V
C85 22-1137 150 Mmfd. Mica 500V
C57 22-1138 470 Mmfd. Mica (Molded) 500V
C84 22-1645 330 Mmfd. Mica 500V
C46 22-1775 .047 Mfd. (Molded) 400V
C72 22-1777 0.1 Mfd. 200V
C35 22-1782 .0047 Mfd. (Molded) (2 used) 600V
C73 22-1810 0.1 Mfd. 200V
C64 22-1814 .0022 Mfd. (2 used) 600V
C51 22-1841 .1 Mfd. (Molded) 600V
C39 22-1844 .047 Mfd. (Molded) (5 used) 600V
C58 22-1845 .0022 Mfd. 600V
C62 22-1846 .01 Mfd. (Molded) 400V
C65 22-1851 .001 Mfd. (Molded) 1000V
C19 22-1876 47 Mmfd. Ceramic 500V
C50 22-1880 .0012 Mfd. (Molded) 600V
C63 22-2034 680 Mmfd. 500V
C67 22-2061 .1 Mfd. (Molded) 400V
C54 22-2071 .022 Mfd. (Molded) 200V
C68 22-2098 .47 Mfd. (Molded) 200V
C71 22-2112 .001 Ceramic 500V
C70 22-2120 500 Mmfd. Special (Molded) 10,000V
C36AD 15 Mfd. 475V
C36BD 80 Mfd. 300V
C36CD 22-2122 40 Mfd. 50V
C36DD 15 Mfd. 475V
C49 22-2128 .001 Mfd. (Molded) (2 used) 600V
C66 22-2146 .47 Mfd. 200V
C24AA 22-2154 Elect. 10 Mfd. 250V
C53 22-2162 130 Mmfd. Mica 500V
C59 22-2163 1000 Mmfd. Mica 500V
C47 22-2166 .15 Mfd. 200V
C74 22-2168 33 Mmfd. Ceramic 500V
C37AD 40 Mfd. 300V
C37BD 80 Mfd. 25V
C37CD 22-2223 100 Mfd. 50V
C37DD 20 Mfd. 475V
C38AD 20 Mfd. 450V
C38BD 22-2224 20 Mfd. 200V
C38CD 20 Mfd. 25V
C38DD 40 Mfd. 450V
C40 22-2233 20 Mmfd. Ceramic (2 used) 500V
C41 22-2234 100 Mmfd. Ceramic 500V
C69 22-2261 .15 Mfd. 400V
C42 22-2264 .015 Mfd. 600V
34-183 Turret Drive Gear
52-591 Insulated Shielded Lead
54-139 3/8-32x9/16 Hex Palnut (8 used on control)
57-1675 Shaft Retaining Plate
58-188 Two Prong Plug (Part of S-17127)
58-191 Nine Prong Adapter Plug
R38 63-943 4700 ohm 1W 10% Ins. (2 used)
R63 63-957 33K ohm 1W 10% Ins.

Diag. Part
No. No. Description

23H22Z Main Chassis (cont'd.)

R96 63-970 47 ohm 1W 10% Ins. (or 63-2093)
R79 63-1065 15K ohm 1W 10% Ins.
R28 63-1571 6800 ohm 2W 10% Ins.
R98 63-1581 4.7 ohm 1/2W 10% Ins.
R97 63-1620 1800 ohm 2W 10% Ins. (or 63-1691)
R59 63-1674 Vertical Linearity Control
R65 63-1675 Horiz. Drive Control
R31 63-1744 100 ohm 1/2W 20% Ins. (3 used)
R1 63-1750 150 ohm 1/2W 10% Ins.
R67 63-1751 150 ohm 1/2W 20% Ins. (2 used)
R90 63-1758 220 ohm 1/2W 20% Ins.
R24 63-1764 330 ohm 1/2W 10% Ins.
R36 63-1768 390 ohm 1/2W 10% Ins.
R21 63-1771 470 ohm 1/2W 10% Ins. (3 used)
R60 63-1775 560 ohm 1/2W 10% Ins. (2 used on 95-1263)
R33 63-1782 820 ohm 1/2W 10% Ins.
R35 63-1806 3300 ohm 1/2W 10% Ins.
R61 63-1813 4700 ohm 1/2W 10% Ins. (2 used)
R34 63-1838 18K ohm 1/2W 10% Ins.
R37 63-1841 22K ohm 1/2W 10% Ins. (2 used)
R39 63-1845 27K ohm 1/2W Ins. 10%
R89 63-1848 33K ohm 1/2W 10% Ins.
R5 63-1855 47K ohm 1/2W 10% Ins. (3 used)
R47 63-1862 68K ohm 1/2W 10% Ins.
R56 63-1863 68K ohm 1/2W 20% Ins.
R46 63-1869 100K ohm 1/2W 10% Ins. (4 used)
R25 63-1870 100K ohm 1/2W 20% Ins. (2 used)
R74 63-1876 150K ohm 1/2W 10% Ins.
R42 63-1883 220K ohm 1/2W 10% Ins.
R49 63-1884 220K ohm 1/2W 20% Ins. (2 used)
R22 63-1890 330K ohm 1/2W 10% Ins. (2 used)
R48 63-1898 470K ohm 1/2W 20% Ins. (2 used)
R95 63-1904 680K ohm 1/2W 10% Ins.
R45 63-1911 1 Megohm 1/2W 10% Ins. (4 used)
R18 63-1912 1 Megohm 1/2W 20% Ins.
R72 63-1919 1.5 Megohm 1/2W 20% Ins.
R17 63-1926 2.2 Megohm 1/2W 20% Ins. (3 used)
R93 63-1979 68K ohm 1W 10% Ins. (2 used)
R20 63-1982 100K ohm 2W 10% Ins.
R78 63-2017 4000 ohm WW 5W 10% Ins. (2 used)
R27 63-2022 10K ohm WW 5W 10% Ins.
R26 63-2023 3500 ohm WW 10W 10% Ins.
R19 63-2050 Bias Control
R30 63-2077 400 ohm WW 5W 10% Ins.
R77 63-2099 Focus Control
R55 63-2110 Vertical Size Control
R40 63-2123 Contrast Control
R32 63-2125 Vol. Control & Switch
R43 63-2126 Intensity Control
R52 63-2127 Vertical Hold Control
R81 63-2134 150 ohm WW 5W 20% Ins.
R75 63-2137 100K ohm 1W 10% Ins.
R73 63-2145 10K ohm 2W 20% Ins.
R50 63-2153 A.G.C. Control
R58 63-2159 Vertical Hold Range Control
R83 63-2425 15K ohm 7W 10% Ins.
73-114 8-32x5/16 Slab Hd. Set Screw (6 used S-17084)
76-605 Horiz. Hold Control Shaft
78-580 Nine Contact Socket (Phonevision)

CHASSIS 22H20, 23H22, 23H22Z, 24H20, 24H21

Diag. No.	Part No.	Description
24H21 Main Chassis (cont'd.)		
	196-164	C.R. Tube Support Gasket
	199-124	Focus Coil Sleeve
	S-16855	Sound Trap Coil Assy.
	S-17052	2nd. Video Series
	S-17053	2nd Video Shunt Peaking Coil Assembly
	S-17064	Video I.F. Strip Assembly
	S-17083	Gear, Bushing & Set Screw Assembly
	S-17084	Shaft Gear & Coupling Assy.
	S-17096	Dial Cord & Eyelet Assy. (Fine Tuning)
	S-17097	Brkt. Pulley & Gear Assy.
	S-17100	R.F. Shelf & Turret Assy. (Complete)
L74	S-17114	Horiz. Oscillator Coil Assy.
	S-17116	4.5 MC Video Trap Coil Assembly
	S-17140	Horiz. Sweep Trans. Assy.
L76	S-17175	Horiz. Size Control Coil Assembly
L78	S-17176	Horiz. Linearity Control Coil Assembly
	S-17177	Horiz. Size & Linearity Control Coil & Brkt. Assy.
	S-17178	Fire Shield Assembly
	S-17179	Horiz. Sweep Trans. Mtg. Plate Assembly
	S-17185	C. R. Tube Socket Assy.
	S-17221	Defl. Yoke Mtg. Brkt. Assy.
	S-17286	Insulator Strip & Terminal Assy.
	S-17289	Gasket Support Plate & Switch Brkt. Assy.
	S-17290	Mechanical Centering & Focus Assembly
	S-17291	A.C. Plug & Brkt. Assy.
	S-17362	Indicator Drum & Shaft Assembly
	S-17377	Contrast Control Shaft & Bushing Assembly
L79	S-17400	Picture Control Coil Assy.
	S-17425	Fine Tuning Shaft & Bushing Assembly
	S-17429	Anode Lead & Eyelet Assy.
	S-17164	Beam Bender Unit

TUBES

1 - 19AP4B	3 - 6SN7GT
1 - 1B3GT	1 - 6SN7GTA
2 - 6BQ6GT	1 - 6W4GT
1 - 6AL5	1 - 12AU7
1 - 6BN6	

For parts on S-17100 R.F. Shelf & Turret Tuner refer to 22H20 Chassis.

Parts for the Video L.F. Assembly are listed under Part Numbers S-17064 or S-17635.

S-17290 MECHANICAL CENTERING & FOCUS ASSEMBLY

57-1548	Centering Plate
57-1549	Focusing Coil Mtg. Plate
57-1684	Magnet End Plate
93-951	Spring Washer - Shakeproof Blued
93-1006	.0359x.156 L.D.x1/2" O.D. Steel
93-1007	.0359x.156 L.D.x1" O.D. Steel
93-1009	Spring Washer - Shakeproof Blued
114-48	#6-32x1/4" Hex. Hd. Sl. M.S. (2 used)
S-17290	Mechanical Centering & Focus Assy. (Complete)
S-17332	Focusing Coil Assembly

CABINET PARTS FOR H2447R & RQ

11-106	Line Cord & Plug 9 ft. lg.
--------	----------------------------

Diag. No.	Part No.	Description
CABINET PARTS FOR H2447R & RQ (cont'd.)		
	14-1262R	Cabinet For H2447R & RQ Console Model
	16-646	Packing Carton
	24-446	A.C. Line Cord Plug Cover
	46-885	Contrast Control Knob
	46-887	Horizontal Hold Knob
	46-888	Channel Selector Knob
	46-890	Volume Control Knob
	46-893	Brightness Control Knob
	46-895	Fine Tuning Knob
	46-896	Vertical Hold Knob
	49-649	10" PM Speaker ZC-10161 Cone
	56-286	Cover Hinge Pin
	57-1481	Esc. Clamping Plate (3 used)
	57-1670	Glass Retaining Plate (4 used)
	57-1674	Escutcheon
	57-1678	Esc. (Vol. Control)
	57-1679	Esc. (Channel Selector)
	70-3	#5x1/2 R.H.W.S. Steel N.P. (2 used on S-17305)
	70-86	#6x5/8" Washer Hd. Wood Screw-St. Br. (5 used to mt. S-17303)
	72-3	#5x5/8" Flt. Hd. W. S. Steel (2 used on RQ Model)
	72-81	#8x3/4 Phill. Flt. Hd. Wood Screw - St. Br. (4 used to Mt. S-17293)
	74-58	Ventilating Screen
	78-787	Two Contact Socket
	80-826	Grounding Spring
	80-828	Door Return Spring
	94-295	Mounting Bushing (4 used on RQ Model)
	118-813	4-40x5/16" R.H.S.T. Cad. (8 used on Esc. Mtg.)
	114-80	1/4-20x1-3/8" Hex Washer Hd. M.S. (4 used Chassis Mtg.)(3 used Pwr. Supply)
	114-201	#8x5/16" Hex Hd. Sl. S.T. (used on Pwr. Supply)
	114-313	#8x1/2" Hex Hd. S. T. Cad. (3 used on Esc. Mtg.)
	114-341	#6x3/8 Hex Hd. S. T. Cad. (used on 80-826)
	114-358	#6x1/2" Hex Hd. Sl. S. T. (4 used on RQ Models)
	165-13	Metal Glide (4 used)
	192-139	Protective Glass
	196-150	Glass Gasket
	202-829	Instruction Book
	202-849	Instruction Book (RQ Model)
	S-17189	Power Supply Assy. (Comp.)
	S-17266	Remote Control Assembly
	S-17267	Hand Control & Cable Assy.
	S-17293	Cabinet Antenna Assy.
	S-17303	Cabinet Back Assembly
	S-17305	Antenna Terminal & Wire Assembly
	S-17497	Cover & Nameplate Assy.

CABINET PARTS FOR H2445R & RQ

Model H2445R & RQ is the same as H2447R & RQ except the following:

OMIT:

14-1262R	Cabinet for H2447R & RQ Console Model
16-646	Packing Carton

ADD:

14-1269R	Cabinet for H2445R & RQ Console Model
16-650	Packing Carton
57-1284	Strike Plate (2 used)
74-76	Ventilating Screen
156-35	Bullet Catch
166-55	Tack Bumper (2 used)

Part No.	Description
CABINET PARTS FOR H3478E & EQ	
2-207	Cabinet Back (Phono Sect.)
11-106	Line Cord & Plug 9 ft. lg.
14-1270E	Cabinet for H3478E & EQ Console Combination Model
16-652	Packing Carton - Inner Pack
16-653	Packing Carton - Outer Pack
19-9	Cable Clip
19-169	Record Changer Mtg. Clip (2 used)
19-210	Loop Connector Clip (2 used)
24-535	Line Cord Plug Cover
46-833	Volume Control Knob
46-876	Tuning Control Knob
46-885	Contrast Control Knob
46-887	Horiz. Control Knob
46-889	Channel Selector Knob
46-893	Brightness Control Knob
46-895	Fine Tuning Knob
46-896	Vertical Hold Knob
46-899	Band Switch Knob
49-694	12" PM Speaker ZC12161 Cone & Voice Coil
56-286	Cover Hinge Pin
57-1270	Strike Plate (2 used)
57-1481	Esc. Clamping Plate (7 used)
57-1666	Radio Dial Esc.
57-1670	Glass Retaining Plate (4 used)
57-1674	TV Escutcheon
57-1678	Esc. (Vol. Control)
57-1679	Esc. (Channel Selector)
70-3	#5x1/2" R.H.W.S. Steel N.P. (2 used S-17305 & 1 used 19-9)
70-86	#6x5/8 Washer Hd. Wood Screw - St. Br. (11 used to mt. Backs)
72-3	#5x5/8" Flt. Hd. W. Steel N.P. (2 used on EQ Models)
72-81	#8x3/4" Phill. Flt. Hd. Wood Screw - St. Br. (4 used on S-17293)
74-58	Ventilating Screen
74-71	Ventilating Screen
78-787	Two Contact Socket
80-604	Hinge Spring (2 used)
80-826	Grounding Spring
80-828	Door Return Spring
80-830	Record Changer Mtg. Spring (4 used)
93-168	Rubber Shoulder Washer (4 used)
94-295	Mtg. Bushing (4 used on EQ Models)
112-809	Record Changer Mtg. Screw (3 used)
112-813	4-40x5/16" R.H.S.T. (8 used on TV Esc. Mtg.)
114-80	1/4-20x1-3/8" Hex. Hd. M.S. (4 used Mtg. TV Chassis & 3 used Mtg. Pwr. Supply)
114-201	#8x5/16 Hex. Hd. S. T. (used on Pwr. Supply)
114-341	#6x3/8 Hex Hd. S. T. (used on 80-826)
114-350	#8x7/16" Hex. Hd. Sl. S. T. (used on Radio Esc. Mtg.)
114-354	Radio Chassis Mtg. Screw (4 used)
114-358	#6x1/2" Hex Hd. Sl. S. T. (4 used on EQ Models)
126-653	Heat Shield
156-33	Bullet Catch (2 used)
159-50	Plug Button - Black Oxide (2 used)
165-14	Metal Glide (2 used)
166-57	Tack Bumper (2 used)
188-54	Knob Clamping Ring (46-876)
192-138	Dial Glass (Radio)
192-139	Protective Glass (TV)
196-150	Glass Gasket (TV)

CHASSIS 22H20, 23H22, 23H22Z, 24H20, 24H21

Part No.	Description
CABINET PARTS H2353EZ & EQZ	
11-106	Line Cord 9 ft. Plug 9 ft. lg.
14-1284E	Cabinet for H2353EZ & EQZ Console Model
16-772	Packing Carton
19-196	Clip (2 used on 188-134)
24-446	AC Line Cord Plug Cover
43-195	Control Housing
46-833	Volume Control Knob
46-885	Contrast Control Knob
46-887	Horiz. Hold Knob
46-889	Channel Selector Knob
46-893	Brightness Control Knob
46-895	Fine Tuning Knob
46-896	Vertical Hold Knob
49-649	10" PM Speaker ZC10161 Cone & Voice Coil
54-129	Speed Nut (3 used on 188-134)
54-269	#8-32x11/32" Palnut (4 used on glass mtg.)
56-286	Cover Hinge Pin
57-1481	Clamping Plate (4 used on glass mtg.)
57-1620	Retaining Plate (used on 188-134)
70-3	#5x1/2" R.H.W.S. Steel N.P. (2 used on S-17556)
70-86	#6x5/8" Washer Hd. Wood Screw St. Br. (7 used to mt. back)
70-153	#5x1/4" R.H.W.S. Steel Cad. (2 used on 57-1620)
72-3	#5x5/8" Flt. Hd. W. S. Steel (2 used on EQZ Model only)
72-81	#8x3/4 Phillips Flt. Hd. Wood Screw St. Br. (4 used on S-16890)
72-90	#4x3/4 Phill. Flt. Hd. Wood Screw St. Br. (4 used on 43-195)
74-58	Ventilating Screen
78-787	Two Contact Socket
80-828	Cover Return Spring
83-1844	Trim Strip
94-295	Mtg. Bushing (4 used on EQZ Models only)
112-818	#4-40x1/4" Rd. Hd. (2 used on glass & gasket mtg.)
114-80	1/4-20x1-3/8" Hex Hd. M.S. (4 used chassis mtg.)
114-358	#6x1/2" Hex Hd. Sl. S. T. (4 used on EQZ model only)
165-13	Glides (4 used)
188-133	Trim Ring
188-134	Trim Ring
192-142	Protective Glass
196-166	Rectangular Gasket
202-844	Instruction Book
202-849	Instruction Book (used on EQZ models)
S-16890	Cabinet Antenna Assembly
S-17266	Remote Control Assy. (used on EQZ Models only)
S-17267	Hand Control & Cable Assy. (used on EQZ Models only)
S-17497	Control Cover Assy.
S-17510	Frame & Stud Assy.
S-17511	Cabinet Back Assy. (Complete)
S-17556	Antenna Terminal & Wire Assembly

Part No.	Description
CABINET PARTS H2328EZ	
11-106	Line Cord & Plug 9 ft. lg.
14-1278E	Cabinet for H2328EZ Table Model
16-665	Packing Carton
19-196	Clip (2 used on 188-134)
24-446	AC Line Cord Plug Cover
43-195	Control Housing
46-833	Volume Control Knob
46-885	Contrast Control Knob
46-887	Horiz. Hold Knob
46-889	Channel Selector Knob

Diag. No.	Part No.	Description
	46-893	Brightness Control Knob
	46-895	Fine Tuning Knob
	46-896	Vertical Hold Knob
	49-696	5-1/4" PM Speaker ZC5093 Cone & Voice Coil
	54-129	Speed Nut (3 used on 188-134)
	54-269	#8-32x11/32" Palnut (4 used on S-17422)
	56-286	Cover Hinge Pin
	57-1481	Clamping Plate (4 used on S-17422)
	57-1620	Retaining Plate (used on 188-134)
	70-3	#5x1/2" R.H.W.S. Steel N.P. (2 used on S-17306)
	70-86	#6x5/8" Washer Hd. Wood Screw St. Br. (5 used to Mt. back)
	70-153	#5x1/4" R.H.W.S. Steel Cad. (2 used on 57-1620)
	72-81	#8x3/4 Phill. Flt. Hd. Wood Screw St. Br. (4 used to mt. S-17307)
	72-90	#4x3/4 Phill. Flt. Hd. Wood Screw St. Br. (4 used on 43-195)
	74-58	Ventilating Screen
	78-787	Two Contact Socket
	80-828	Cover Return Spring
	114-80	1/4-20x1-3/8" Hex Washer Hd. M.S. (4 used chassis mtg.)
	188-133	Trim Ring
	188-134	Trim Ring
	192-140	Protective Glass
	196-163	Rectangular Gasket
	202-844	Instruction Book
	S-17306	Antenna Terminal & Wire Assembly
	S-17307	Cabinet Antenna Assy.
	S-17422	Brkt. & Screw Assembly
	S-17443	Cabinet Back Assembly (Complete)
	S-17497	Cover & Nameplate Assy.

H2328R & RQ - H2328E - H2329R & RQ - H2352R & RQ - H2353E & EQ

CHASSIS 23H22

MAIN CHASSIS

Chassis 23H22 is the same as 23H22Z except for the following:

- OMIT:**
- 94-746 C.R. Tube Support Bushing (2 used)
 - S-17064 Video I.F. Strip Assy. (Complete)
 - S-17521 C.R. Tube Support & Alignment Brkt. Assembly

TUBES

1 - 16TP4

- ADD:**
- 94-745 C.R. Tube Support Bushing (2 used)
 - S-17531 C.R. Tube Support & Alignment Brkt. Assembly
 - S-17635 Video I.F. Strip Assy. (Compl.)

TUBES

1 - 17BP4

For parts on S-17635 refer to page 33.

Diag. No.	Part No.	Description
-----------	----------	-------------

CABINET PARTS H2328R & RQ

Model H2328R & RQ is the same as H2328RZ & RQZ except for the following:

- OMIT:**
- 196-163 Rectangular Gasket
- ADD:**
- 196-157 Rectangular Gasket

CABINET PARTS H2329R & RQ

Model H2329R & RQ is the same as H2329RZ & RQZ except for the following:

- OMIT:**
- 196-166 Rectangular Gasket
- ADD:**
- 196-165 Rectangular Gasket

CABINET PARTS H2352R & RQ

Model H2352R & RQ is the same as H2352RZ & RQZ except for the following:

- OMIT:**
- 196-166 Rectangular Gasket
- ADD:**
- 196-165 Rectangular Gasket

CABINET PARTS H2353E & EQ

Model H2353E & EQ is the same as H2353EZ & EQZ except for the following:

- OMIT:**
- 196-166 Rectangular Gasket
- ADD:**
- 196-165 Rectangular Gasket

CABINET PARTS H2328E

Model H2328E is the same as H2328EZ except for the following:

- OMIT:**
- 196-163 Rectangular Gasket
- ADD:**
- 196-157 Rectangular Gasket

Part No.	Description	Diag. No.	Part No.	Description	Part No.	Description	Part No.	Description
23H22Z Main Chassis (cont'd.)				CABINET PARTS H2328RZ & RQZ (cont'd.)				
78-640	Elect. Cond. Socket		S-17064	Video I.F. Strip Assy.	72-81	#8x3/4 Phill. Flt. Hd. Wood Screw St. Br. (4 used on S-17307)	192-142	Protective Glass
78-709	Octal Tube Socket (2 used)		S-17084	Shaft-Gear & Coupling Assy.	72-90	#4x3/4 Phill. Flt. Hd. Wood Screw St. Br. (4 used to mt. 43-196)	196-166	Rectangular Gasket
78-755	Octal Tube Socket (5 used)		S-17096	Dial Cord & Eyelet Assy. (Fine Tuning)	74-58	Ventillating Screen	202-844	Instruction Book
78-807	Miniature Tube Socket (3 used)		S-17097	Brkt. Pulley & Gear Assy.			S-17306	Antenna Terminal & Wire Assembly
78-834	Octal Tube Socket		S-17100	R.F. Shelf & Turret Assy.			S-17307	Cabinet Antenna Assembly
78-840	Two Contact Socket (AC)		S-17114	Horiz. Osc. Coil Assy.			S-17497	Control Cover Assembly
78-875	C.R. Tube Socket		S-17116	4.5 McVideo Trap Coil Assy.			S-17510	Frame & Stud Assembly
78-876	Noval Miniature Tube Socket		S-17121	Rectifier Mtg. Plate Assy.			S-17616	Cabinet Back Assy.(Compl.)
78-900	Pilot Light Socket & Wire		S-17127	A.C. Plug & Brkt. Assy.			CABINET PARTS H2352RZ & RQZ	
78-908	Miniature Tube Socket		S-17175	Horiz. Size Control Coil Assembly	78-787	Two Contact Socket (Cabt. Backs)	11-106	Line Cord & Plug - 9 ft. lg.
80-744	PM Focus Mtg. Spring (4 used)	L81	S-17176	Horiz. Linearity Control Coil Assy.	80-828	Cover Return Spring	14-1282R	Cabinet for H2352RZ & RQZ Console Model
80-802	Retaining Spring (1ea. Used on 149-100 & 149-101)		S-17861	Mechanical Centering & Focus Assy.	94-295	Mtg. Bushing (4 used on RQZ Models only)	16-771	Packing Carton
80-822	Dial Cord Tension Spring		S-17362	Indicator Drum & Shaft Assy.	114-80	1/4-20x1-3/8 Hex Washer Hd. M.S. (4 used Chassis Mtg.)	19-196	Clip (2 used on 188-134)
80-823	Shaft Guide Spring (used on S-17114)		S-17377	Contrast Control Shaft & Bushing Assy.	114-358	#6x1/2" Hex Hd. Sl. S. T. (4 used on RQZ Models only)	24-446	AC Line Cord Plug Cover
80-824	Tube Plate Connector Spring (3 used)		S-17425	Fine Tuning Ext. Shaft & Bushing Assembly	188-133	Trim Ring	43-196	Control Housing
80-841	C.R. Tube Grounding Spring		S-17433	Deflection Yoke Mtg. Brkt. Assembly	188-134	Trim Ring	46-885	Contrast Control Knob
80-843	Tension Spring		S-17435	Horiz. Sweep Trans. Assy.	192-140	Protective Glass	46-887	Horiz. Hold Knob
80-846	Fine Tuning Limiting Spring		S-17447	Anode Clip & Wire Assy.	196-163	Rectangular Gasket	46-888	Channel Selector Knob
82-25	C.R. Tube Retaining Strap		S-17461	Beam Bender Unit	202-844	Instruction Book	46-890	Volume Control Knob
83-1802	Fuse Mtg. Strip		S-17521	C.R. Tube Support & Alignment Brkt. Assy.	202-849	Instruction Book (RQZ Models only)	46-893	Brightness Control Knob
83-1860	Light Shield Strip		TUBES		S-17266	Remote Control Assy. (used on RQZ Models only)	46-895	Fine Tuning Knob
87-1	Integrator Unit		1 - 16TP4	1 - 6BN6	S-17267	Hand Control & Cable Assy. (used on RQZ Models only)	46-896	Vertical Hold Knob
93-2	Brass Washer (used on 22-2154)		1 - 1X2	2 - 6BQ6GT	S-17306	Antenna Terminal & Wire Assembly	49-649	10" PM Speaker ZC10161 Cone & Voice Coil
93-525	Fibre Washer (2 used on ea. 78-709)		1 - 5U4G	2 - 6SN7GT	S-17307	Cabinet Antenna Assy.	54-129	Speed Nut (3 used on 188-133)
93-961	Insulating Washer (Contrast Control)		1 - 5Y3GT	1 - 6W4GT	S-17422	Brkt. & Screw Assy. (4 used to mt. 192-140)	54-269	#8-32x11/32" Palnut (4 used on dial glass mtg.)
93-971	Shell Support Washer (Horiz. Sweep)		1 - 6AL5	1 - 12AU7	S-17443	Cabinet Back Assembly	56-286	Cover Hinge Pin
93-1057	Insulating Washer (Contrast Control)		1 - 6BF5	1 - 6BL7GT	S-17497	Cover & Nameplate Assy.	57-1481	Clamping Plate (4 used on glass mtg.)
94-746	C.R. Tube Support Bushing (2 used)		For parts on S-17100 R.F. Shelf & Turret Tuner refer to 22H20 Chassis		CABINET PARTS H2329RZ			
95-1170	Filter Choke		Parts for the Video I.F. Assembly are listed under Part Numbers S-17064 or S-17635.		11-106	Line Cord & Plug 9 ft. lg.	57-1620	Retaining Plate (used on 188-134)
95-1238	Audio Output Trans.		For parts on S-17230 Mechanical Centering & Focus Assembly, refer to parts list for 24H20 Chassis.		14-1285R	Cabinet for H2329RZ Table Model	70-3	#5x1/2" R.H.W.S. Steel N.P. (2 used to mt. S-17556)
95-1239	Vertical Output Trans.		CABINET PARTS H2328RZ & RQZ		16-773	Packing Carton	70-86	#6x5/8" Washer Hd. Wood Screw St. Br. (7 used to mt. S-17511)
95-1260	Power Trans.		11-106	Line Cord & Plug 9 ft. lg.	19-196	Clip (2 used on 188-134)	70-153	#5x1/4" R. H.W.S. Steel (2 used on 57-1620)
95-1263	Deflection Coil		12-1798	Support Brkt. (4 used to mt. 192-140)	24-446	AC Line Cord Plug Cover	72-3	#5x5/8" Flt. Hd. W. S. (2 used on RQZ Models only)
100-67	Pilot Light		14-1278R	Cabinet for H2328RZ & RQZ Table Model	43-196	Control Housing	72-81	#8x3/4 Phill. Flt. Hd. Wood Screw St. Br. (4 used to mt. S-16890)
112-88	Thumb Screw #8-32 (Deflection Coil Adj.)		16-665	Packing Carton	46-885	Contrast Control Knob	72-90	#4x3/4 Phill. Flt. Hd. Wood Screw St. Br. (4 used on 43-196)
114-65	#8-32x1-1/2" Hex Hd. Sl. M.S. (used on S.17531)		19-196	Clip (2 used on 188-134)	46-887	Horiz. Hold Knob	74-58	Ventilating Screen
114-201	#8x5/16 Hex Hd. S. T. (24 used)		24-446	AC Line Cord Plug Cover	46-888	Channel Selector Knob	78-787	Two Contact Socket
114-310	#8x5/16 Hex Washer Hd. S.T. (4 used on Turret Tuner & 2 used on 83-1802)		43-196	Control Housing	46-890	Volume Control Knob	80-828	Cover Return Spring
114-331	8-32x5/16 Hex Hd. S. T. (2 used to mt. S-17097)		46-885	Contrast Control Knob	46-893	Brightness Control Knob	83-1844	Trim Strip
125-26	Rubber Grommet (2 used on ea. 78-709)		46-887	Horiz. Hold Knob	46-895	Fine Tuning Knob	94-295	Mtg. Bushing (4 used on RQZ Model only)
126-643	Fire Shield		46-888	Channel Selector Knob	46-896	Vertical Hold Knob	112-818	#4-40x1/4" Rd. Hd. S. T. Screw (2 used on glass & gasket mtg.)
126-652	Pilot Light Shield		46-890	Volume Control Knob	49-696	5-1/4" PM Speaker ZC5093 Cone & Voice Coil	114-80	1/4-20x1-3/8" Hex Washer Hd. M.S. (4 used chassis mtg.)
136-20	Fuse		46-893	Brightness Control Knob	54-129	Speed Nut (3 used on 188-133)	114-358	#6x1/2" Hex. Hd. Sl. S. T. (4 used on RQZ Models only)
149-89	Iron Core (1 ea. used on S-16855 & S-17116)		46-895	Fine Tuning Knob	54-269	#8-32x11/32 (1 used on ea. S-17422)	165-9	Metal Glide (4 used)
149-100	Iron Core & Spring (used on S-17175)		46-896	Vertical Hold Knob	56-286	Cover Hinge Pin	188-133	Trim Ring
149-101	Iron Core & Spring (used on S-17176)		54-129	Speed Nut (3 used on 188-133)	57-1620	Retaining Plate (used on 188-134)	188-134	Trim Ring
149-102	Iron Core & Screw (use S-17114)		54-269	#8-32x11/32 (1 used on ea. S-17422)	70-3	#5x1/2" R.H.W.S. Steel N.P. (2 used on S-17306)	192-142	Protective Glass
188-131	Retaining Ring (used on S-17097)		56-286	Cover Hinge Pin	70-86	#6x5/8" Washer Hd. Wood Screw St. Br. (5 used to mt. back)	196-166	Rectangular Gasket
188-137	Retaining Ring (used on S-17362)		57-1481	Clamping Plate (4 used to mt. S-17422)	70-153	#5x1/4" R. H. W. S. Steel (2 used on 57-1620)	202-844	Instruction Book
196-164	C.R. Tube Support Gasket		57-1620	Retaining Plate (used on 188-134)	72-81	#8x3/4 Phillips Flt. Hd. Wood Screw St. Br. (4 used on S-17307)	202-849	Instruction Book (used on RQZ Models only)
199-124	Focus Coil Sleeve		70-3	#5x1/2" R.H.W.S. Steel N.P. (2 used on S-17306)	72-90	#4x3/4 Phill. Flt. Hd. Wood Screw St. Br. (4 used to mt. 43-196)	S-16890	Cabinet Antenna Assy.
199-145	Rubber Sleeve (used on S-17521)		70-86	#6x5/8" Washer Hd. Wood Screw St. Br. (5 used to mt. back)	74-58	Ventilating Screen	S-17266	Remote Control Assy. (used on RQZ Models only)
199-146	Rubber Sleeve (used on S-17521)		72-3	#5x5/8" Flt. Hd. W.S. (2 used on QZ Models Only)	78-787	Two Contact Socket	S-17267	Hand Control & Cable Assy. (used on RQZ Models only)
S-16209	Wire & Eyelet Assembly				80-828	Cover Return Spring	S-17497	Control Cover Assy.
S-16855	Sound Trap Coil				83-1844	Trim Strip	S-17510	Frame & Stud Assy.
S-17052	2nd Video Series Peaking Coil Assembly				112-818	#4-40x1/4" Rd. Hd. S.T. Screw (2 used on S-17510)	S-17511	Cabinet Back Assy. (Complete)
S-17053	2nd Vido Shunt Peaking Coil Assembly				114-80	1/4-20x1-3/8" Hex Washer Hd. M.S. (4 used chassis mtg.)	S-17556	Antenna Terminal & Wire Assembly