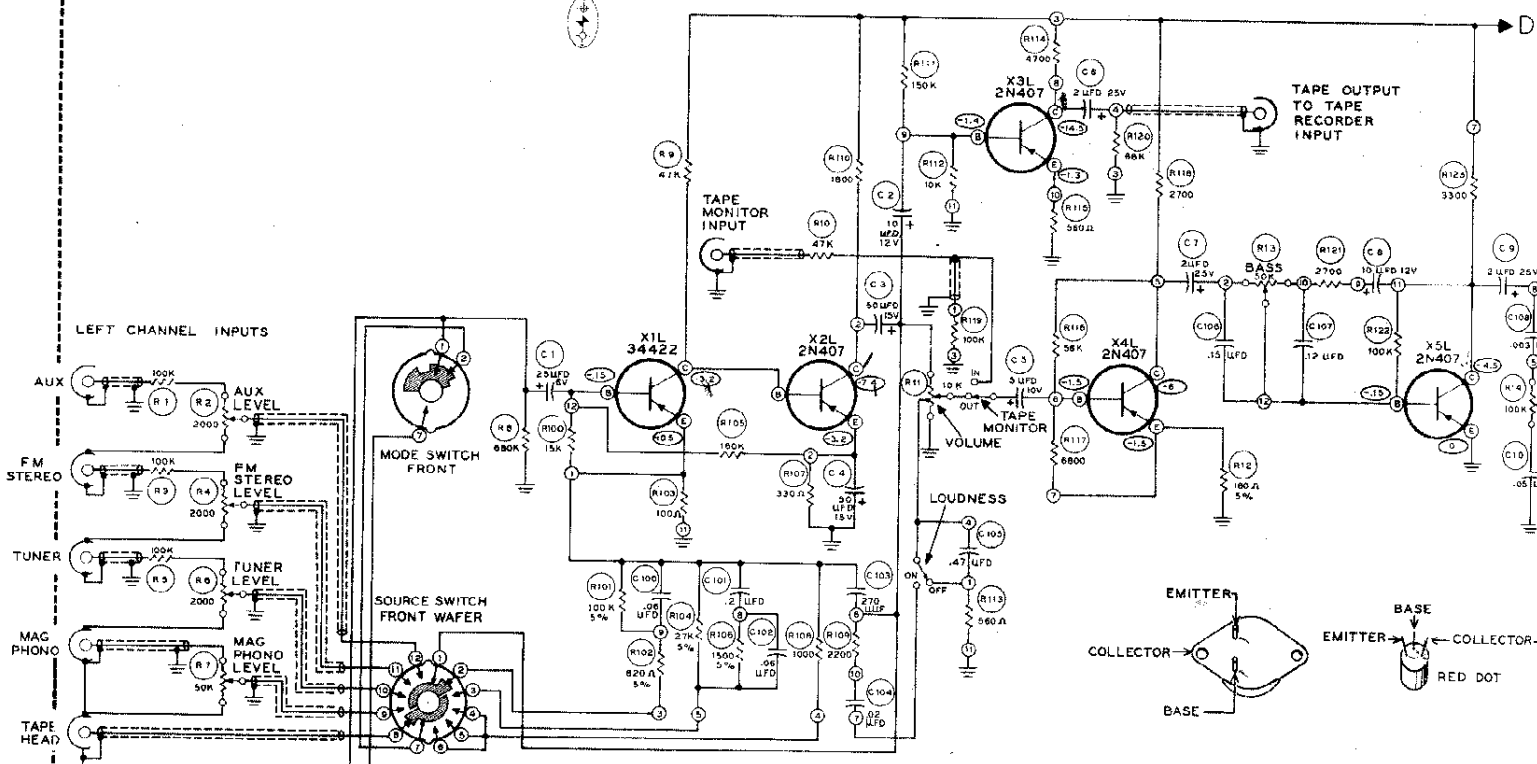
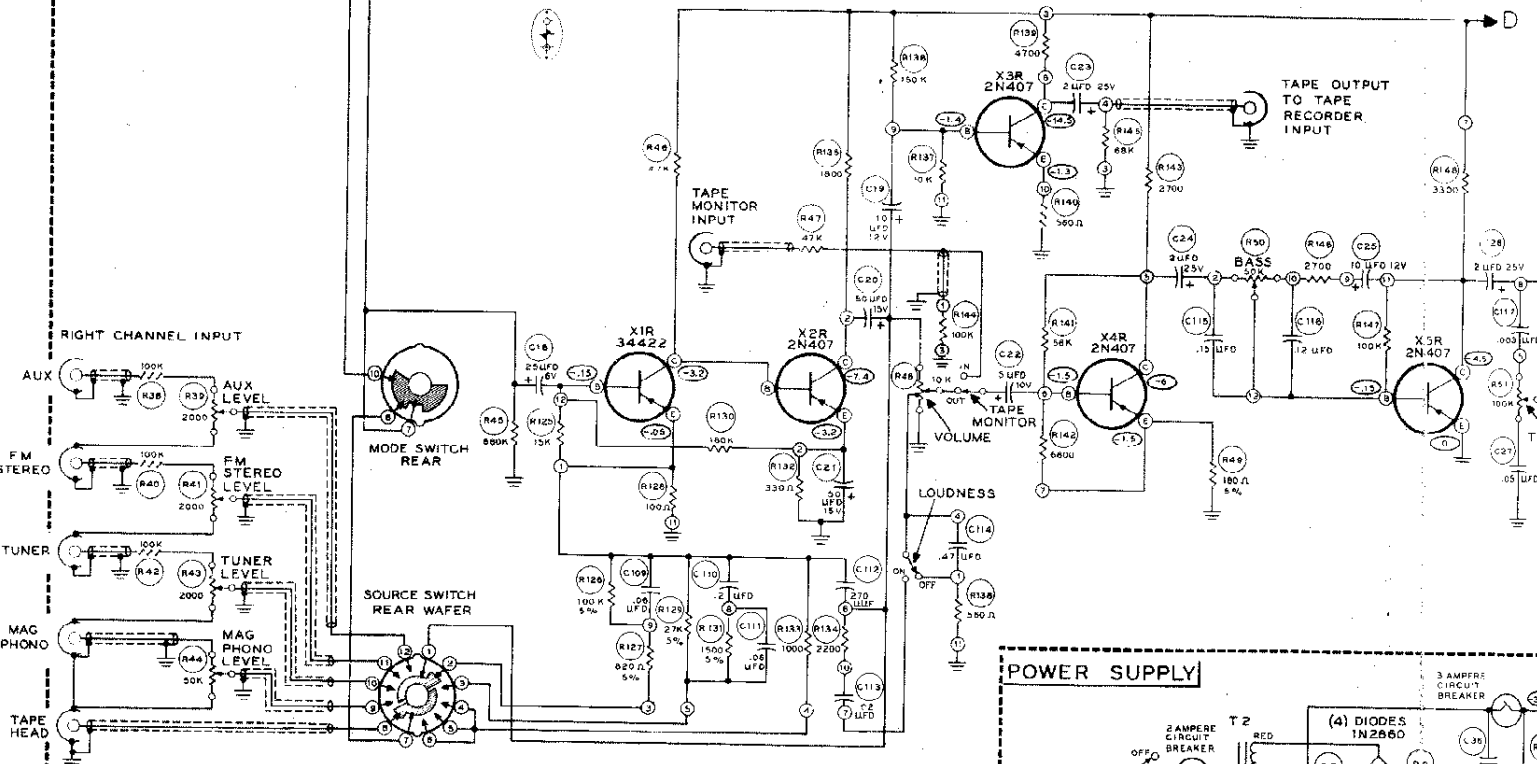


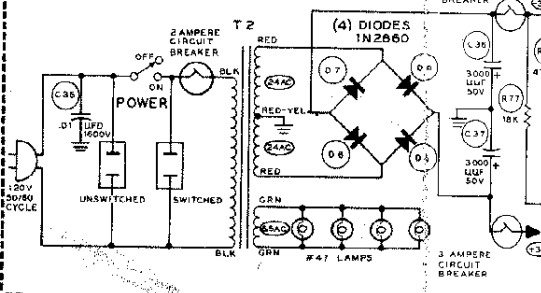
**LEFT CHANNEL**



**RIGHT CHANNEL**



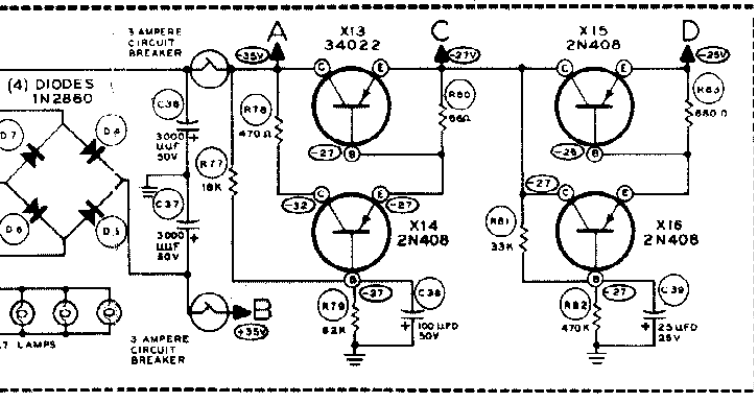
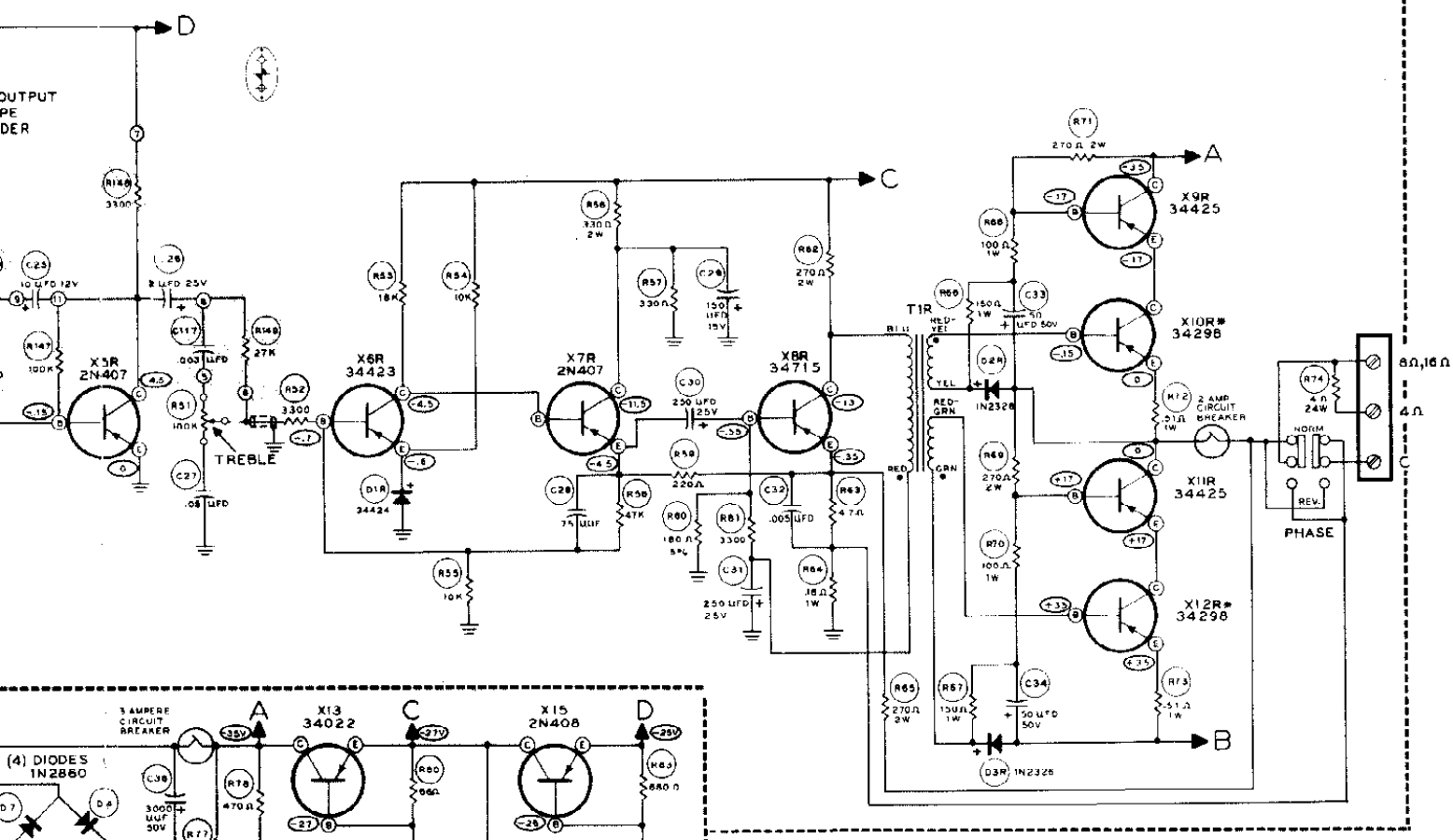
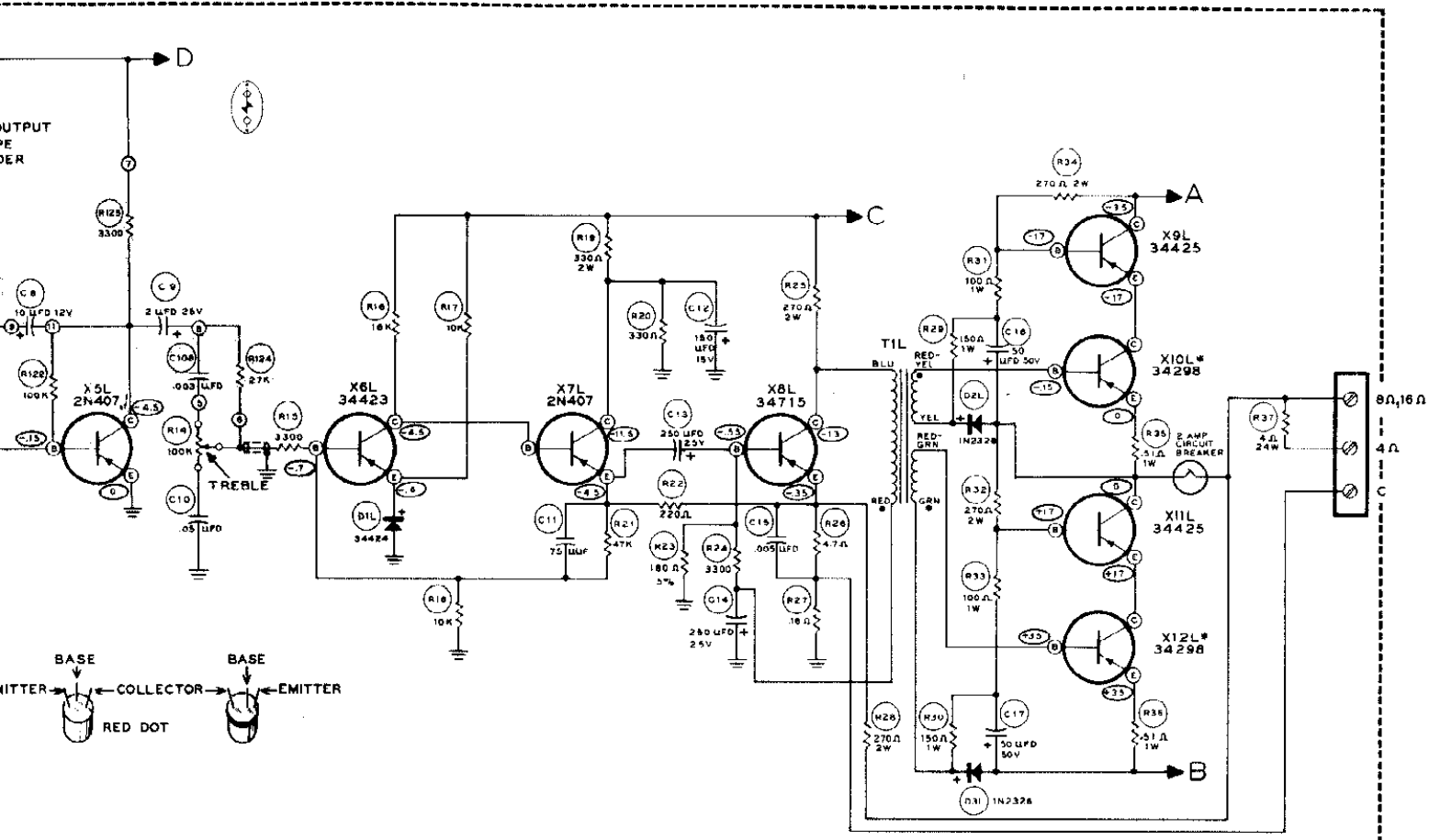
**POWER SUPPLY**



**NOTES:**

- ROTAry SWITCH WAFERS VIEWED FROM SHAFT END OF SWITCH.
- PHASE SWITCH IN NORMAL POSITION.
- SOURCE SWITCH SHOWN IN TAPE HEAD POSITION.
- TAPE MONITOR SWITCH IN OUT POSITION.
- MODE SWITCH SHOWN IN MONO MIX POSITION.
- LOUDNESS IN OFF POSITION.
- VOLTAGES TAKEN WITH AN 11 MEGOHM INPUT VTVM WITH A 120 VOLT LINE SOURCE.
- VOLTAGES MAY VARY 10% DUE TO TOLERANCE OF COMPONENTS.
- DC VOLTAGES TAKEN FROM TEST POINT TO CHASSIS GROUND. UNDER NO-SIGNAL CONDITIONS, WITH LOAD OR SPEAKERS CONNECTED TO OUTPUT TERMINALS.
- INDICATES VOLTAGE READINGS.
- ⊥ INDICATES CHASSIS GROUND.
- 100 SERIES IS USED FOR THE R AND C NUMBERS FOR THE RESISTORS AND CAPACITORS IN THE MODULES.
- ALL RESISTORS ARE 1/2 WATT UNLESS SPECIFIED OTHERWISE.
- ALL RESISTOR VALUES ARE IN OHMS (K = 1000 OHMS).
- X1L - LEFT CHANNEL TRANSISTOR.
- X1R - RIGHT CHANNEL TRANSISTOR.
- C = COLLECTOR.
- B = BASE.
- E = EMITTER.
- \* MATCHED GAIN PAIR.

EQUALIZATION NETWORK MODULE #94-28  
 BIAS NETWORK MODULE #04-29  
 TONE NETWORK MODULE #04-30



SCHEMATIC OF THE  
 HEATHKIT®  
 TRANSISTOR STEREO  
 AMPLIFIER  
 MODEL AA-21