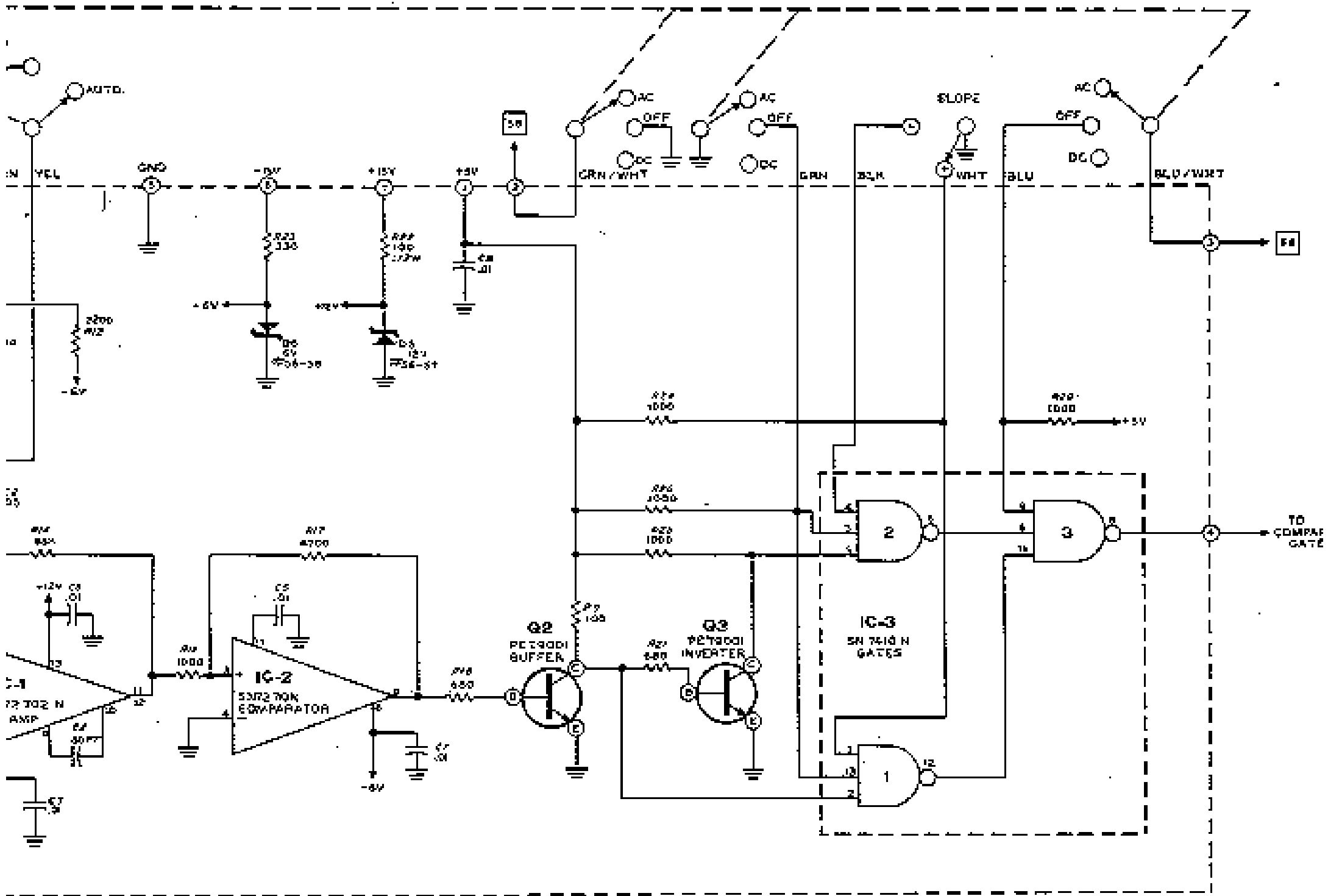


**SCHEMATIC OF THE
HEATH
INPUT COMPARATOR MODULE
MODEL EU-805-11**



AUTD.

IN YEL

GND

-5V

+5V

5V

AC

OFF

DC

GRN / WHT

AC

OFF

DC

GRN

SLOPE

WHT

AC

OFF

DC

BLU

BLU / WHT

5V

TO COMPAR GATE

2200
1/2

10
50

47K
82K

+12V
C3
0.1

72302 N
AMP

10K
30PF

0.05

10K

IC-2
53172 70K
COMPARATOR

0.01
C5

0.05

10K

10K

Q2
2N2901
BUFFER

Q3
2N2901
INVERTER

IC-3
3N 7410 N
GATES

2
3

1000

1000

1000

1000

+5V

4

TO COMPAR GATE