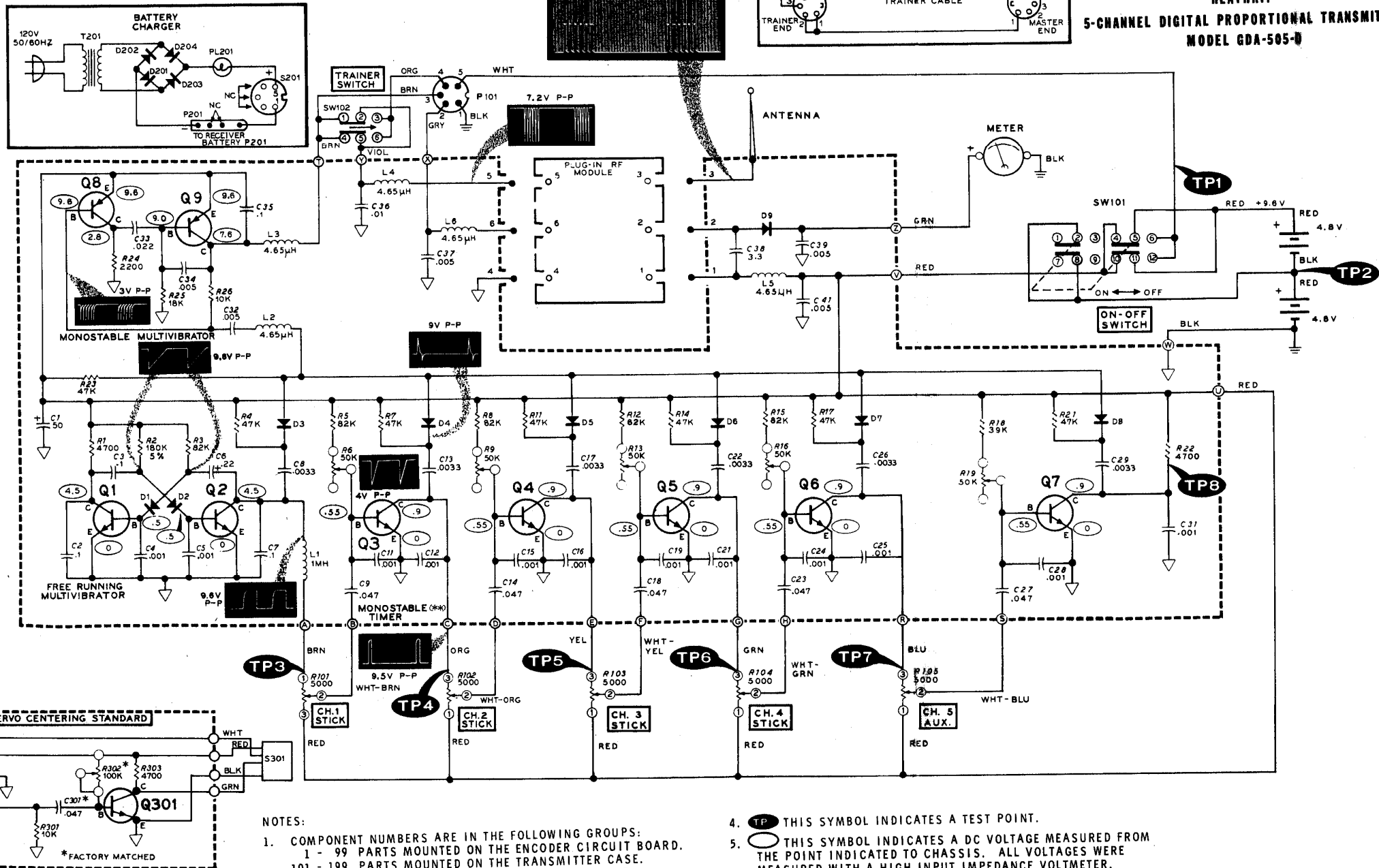
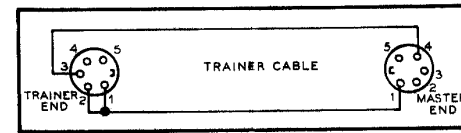


**SCHEMATIC OF THE
HEATHKIT
5-CHANNEL DIGITAL PROPORTIONAL TRANSMITTER
MODEL GDA-505-D**

**5-CHANNEL DIGITAL PROPORTIONAL TRANSMITTER
MODEL GDA-505-D**



NOTES:

- COMPONENT NUMBERS ARE IN THE FOLLOWING GROUPS:
 1 - 99 PARTS MOUNTED ON THE ENCODER CIRCUIT BOARD.
 101 - 199 PARTS MOUNTED ON THE TRANSMITTER CASE.
 201 - 299 PARTS MOUNTED IN THE BATTERY CHARGER.
 301 - 399 PARTS MOUNTED ON THE SERVO CENTERING STANDARD CIRCUIT BOARD.
- ALL RESISTORS ARE 1/4-WATT, 10% TOLERANCE UNLESS OTHERWISE NOTED. RESISTOR VALUES ARE IN OHMS (K=1000).
- ALL CAPACITOR VALUES LESS THAN 1 ARE IN μ F, VALUES OF 1 AND ABOVE ARE IN pF UNLESS NOTED OTHERWISE.

- TP** THIS SYMBOL INDICATES A TEST POINT.
- THIS SYMBOL INDICATES A DC VOLTAGE MEASURED FROM THE POINT INDICATED TO CHASSIS. ALL VOLTAGES WERE MEASURED WITH A HIGH INPUT IMPEDANCE VOLTMETER. VOLTAGES MAY VARY $\pm 20\%$.
- ALL MEASUREMENTS WERE MADE WITH A BATTERY VOLTAGE OF 9.6VDC.
- REFER TO THE CIRCUIT BOARD X-RAY VIEWS FOR THE PHYSICAL LOCATION OF PARTS.

(***) TRANSISTORS Q3 THROUGH Q7 OPERATE IN MONOSTABLE TIMER CIRCUITS. THE WAVEFORMS SHOWN FOR TRANSISTOR Q3 ALSO APPLY FOR TRANSISTORS Q4 THROUGH Q7.

