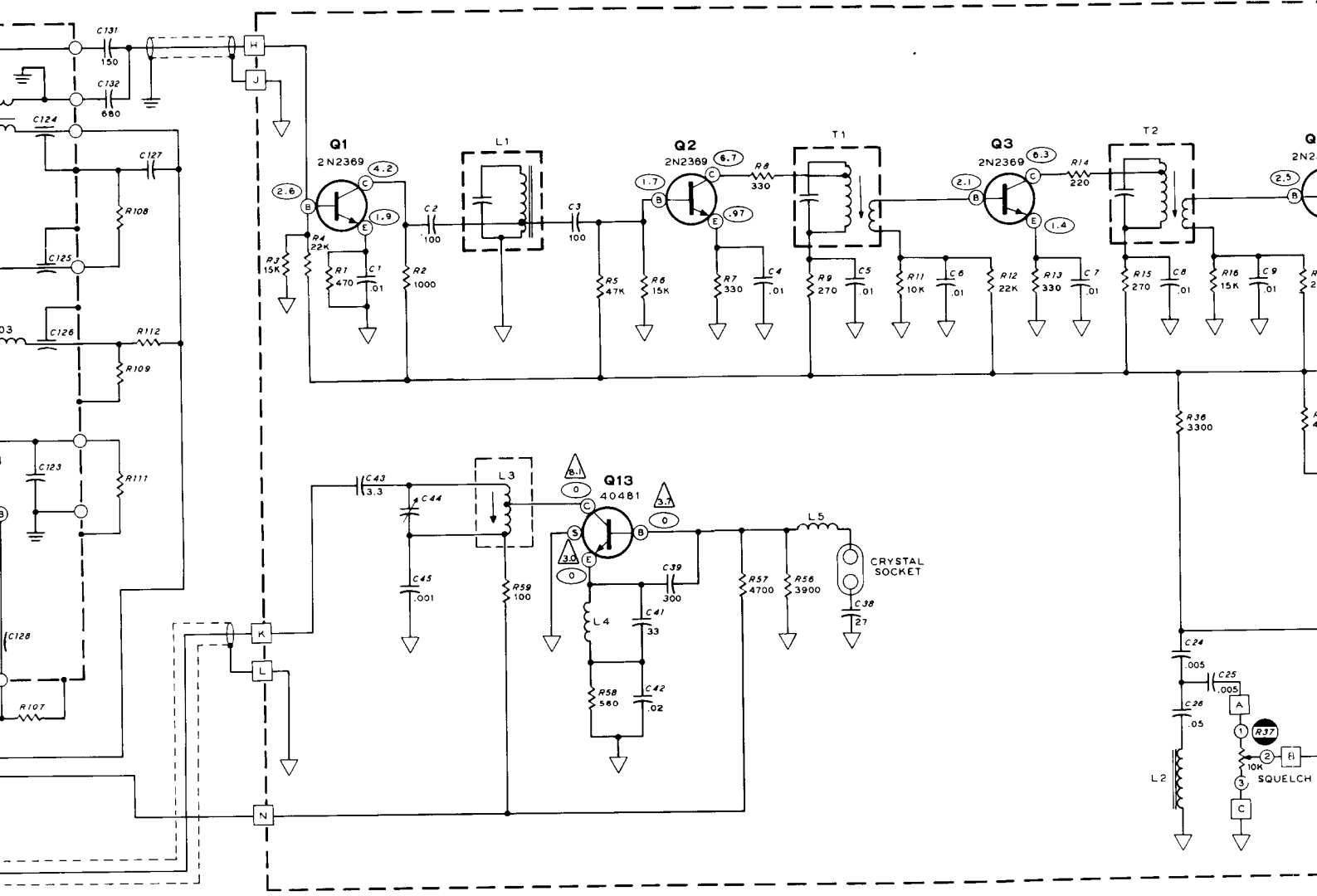


HEATH PART NO.	MANUFACTURER AND TYPE NO.	BASING
417-118	G. E. 2N3393	
417-121	AMPEREX 2N2430	
417-122	AMPEREX 2N2431	
417-154	G. E. 2N2369	
417-190	R C A 40481	
417-201	G. E. X29A829	



**SCHEMATIC OF THE  
HEATHKIT®  
VHF-FM MONITOR RECEIVER  
MODEL GR-88**

1. RESISTOR AND CAPACITOR NUMBERS ARE IN THE FOLLOWING GROUPS:

0-99 PARTS ON THE CIRCUIT BOARD.  
100-199 PARTS IN THE TUNER

2. REFER TO THE CHASSIS PHOTOGRAPHS AND CIRCUIT BOARD X-RAY VIEW FOR THE PHYSICAL LOCATION OF PARTS.

3. ALL RESISTORS ON THE CIRCUIT BOARD ARE 1/2 WATT. RESISTOR VALUES ARE IN OHMS (K= 1000, M= 1,000,000).

4. ALL CAPACITOR VALUES LESS THAN 1 ARE  $\mu\text{F}$ . VALUES OF 1 AND ABOVE ARE IN  $\text{pF}$  UNLESS MARKED OTHERWISE.

5. ○ THIS PART IS TAKEN WITH RESPECT TO CHASSIS GROUND. IS IN THE CLOCKWISE POSITION.

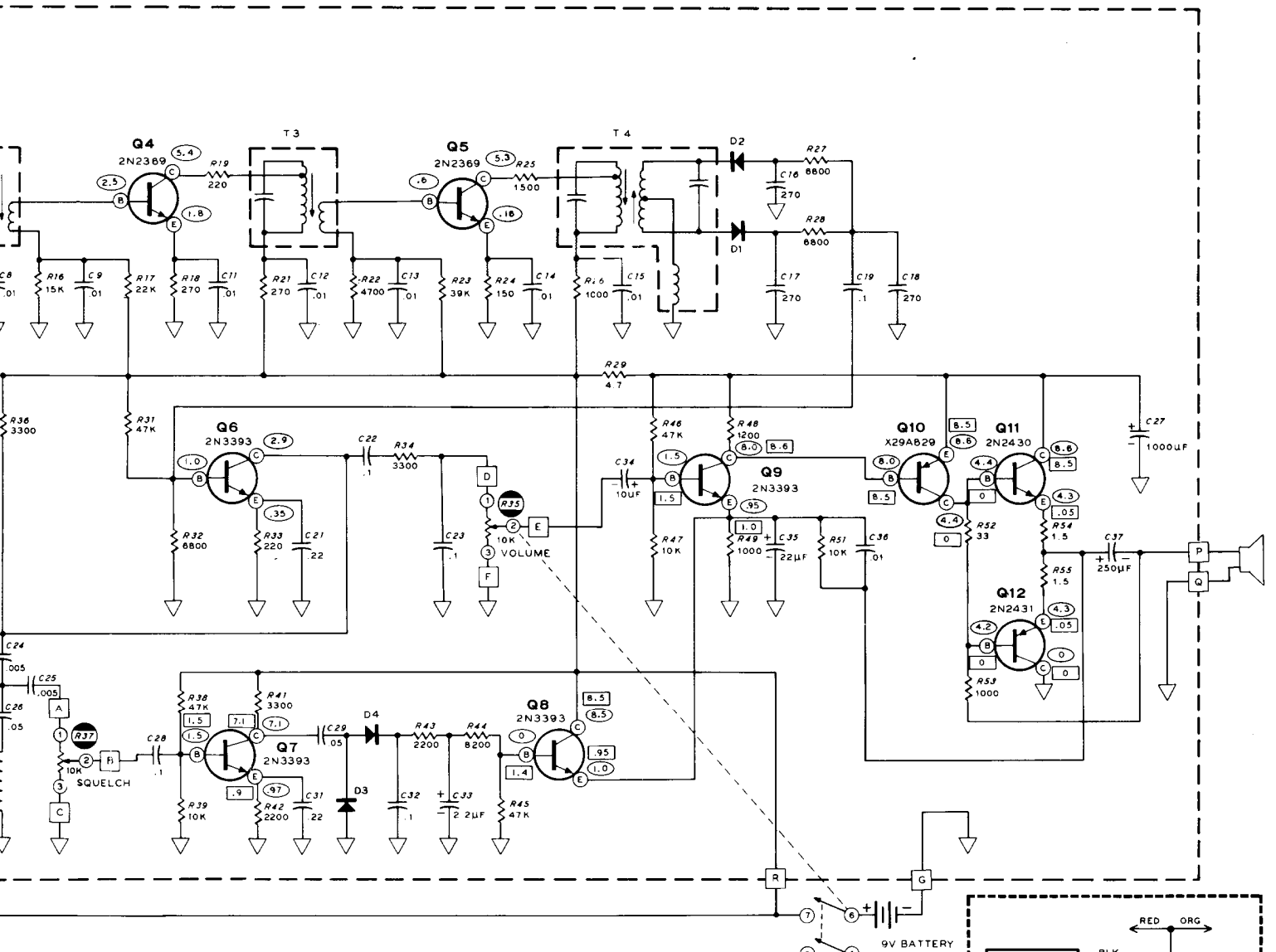
6. □ THIS PART IS TAKEN WITH RESPECT TO CHASSIS GROUND. IS IN THE CLOCKWISE POSITION.

7. △ THIS PART IS TAKEN WITH RESPECT TO CHASSIS GROUND. IS IN THE CLOCKWISE POSITION.

8. ▽ INDICATES A VARIABLE PART.

9. ≡ INDICATES A VARIABLE PART.

10. ⊖ THIS PART IS TAKEN WITH RESPECT TO CHASSIS GROUND. IS IN THE CLOCKWISE POSITION.



5. THIS SYMBOL INDICATES A POSITIVE DC VOLTAGE MEASUREMENT TAKEN WITH AN 11 MEGOHM INPUT VOLTMETER FROM THE POINT INDICATED TO CHASSIS GROUND. VOLTAGES MAY VARY ±20%. THE OSC. SWITCH IS IN THE VAR. POSITION. THE SQUELCH CONTROL IS FULLY COUNTERCLOCKWISE. NO STATIONS ARE BEING RECEIVED.
6. THIS SYMBOL INDICATES A POSITIVE DC VOLTAGE MEASUREMENT TAKEN WITH THE OSC. SWITCH IN THE VAR. POSITION AND THE SQUELCH CONTROL SET AT THRESHOLD. NO STATIONS ARE BEING RECEIVED.
7. THIS SYMBOL INDICATES A POSITIVE DC VOLTAGE MEASUREMENT TAKEN WITH THE OSC. SWITCH IN THE XTAL. POSITION. THE SQUELCH CONTROL IS FULLY COUNTERCLOCKWISE. NO STATIONS ARE BEING RECEIVED.
8. INDICATES CIRCUIT BOARD GROUND.
9. INDICATES CHASSIS GROUND.
10. THIS SYMBOL AROUND A NUMBER INDICATES THAT THE PART IS MOUNTED ON THE CHASSIS EVEN THOUGH THE SCHEMATIC SUGGESTS THAT THE PART IS MOUNTED ON THE CIRCUIT BOARD.

