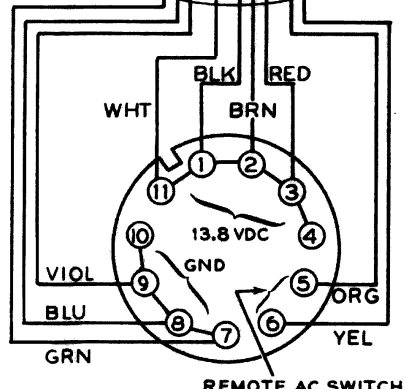


**SCHEMATIC OF THE
HEATHKIT®
AC POWER SUPPLY
MODEL HP-1144**

- NOTES:
1. RESISTOR VALUES ARE IN OHMS. RESISTORS ARE 1/2 WATT UNLESS OTHERWISE SPECIFIED.
 2. CAPACITOR VALUES ARE IN µF.
 3. □ THIS SYMBOL INDICATES CONNECTIONS TO CIRCUIT BOARD.
 4. ○ THIS SYMBOL INDICATES NO LOAD DC VOLTAGES MEASURED FROM POINT INDICATED TO GROUND. VOLTAGES MAY VARY ±5%.



REMOTE AC SWITCH