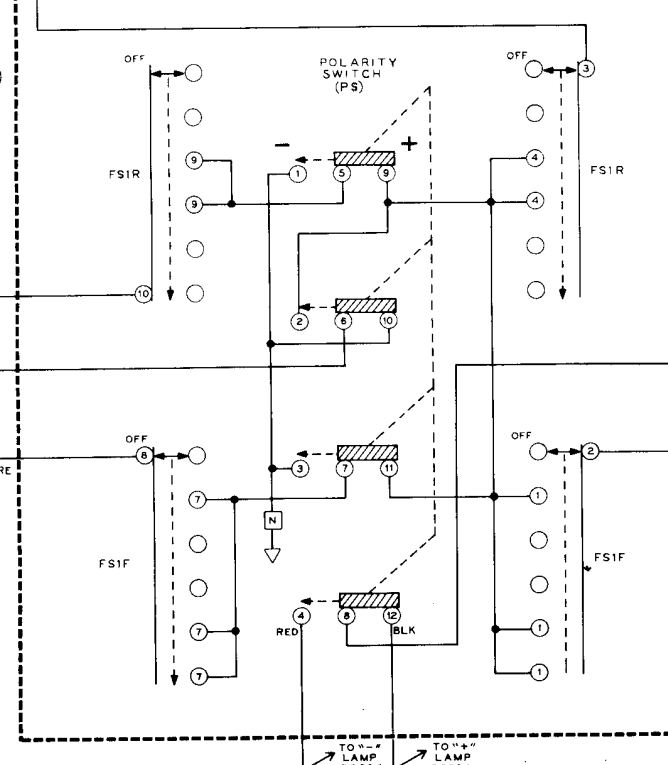
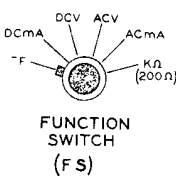
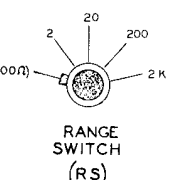
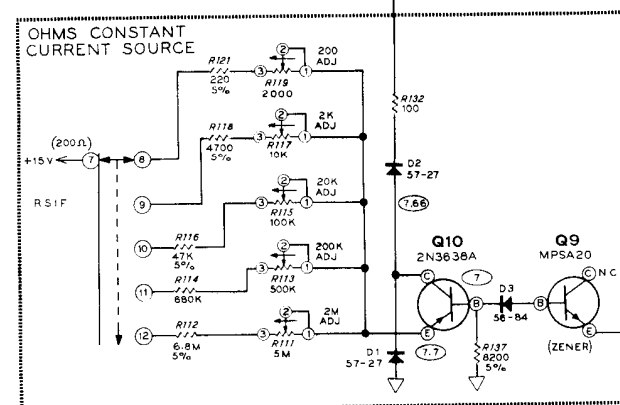
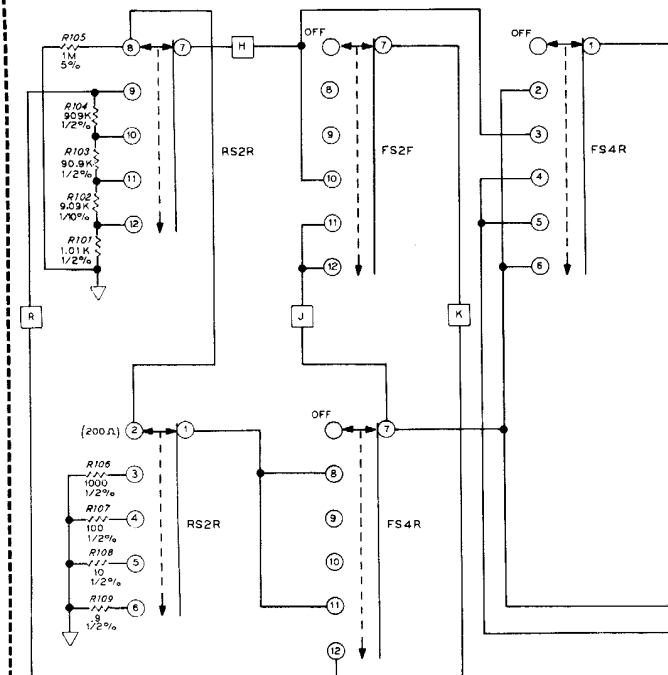
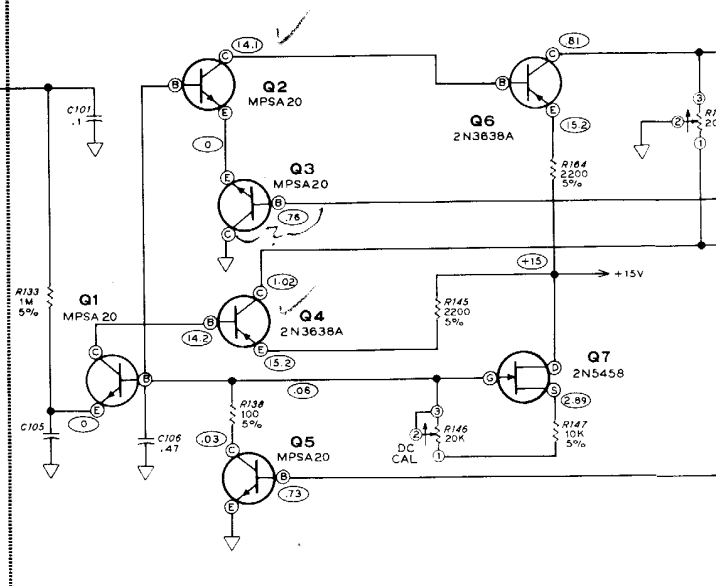


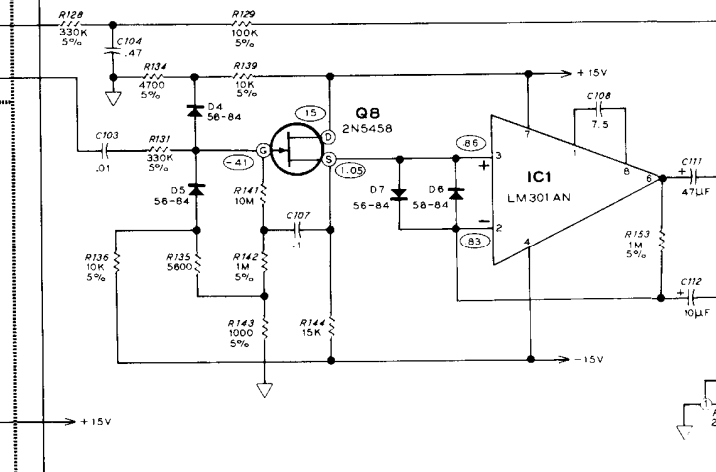
MAIN CIRCUIT BOARD



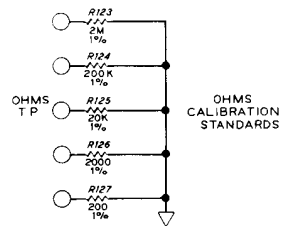
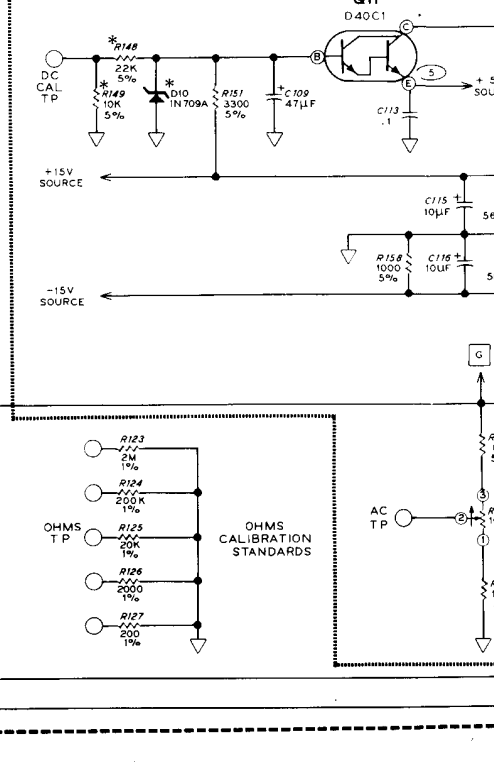
A TO D CONVERTER



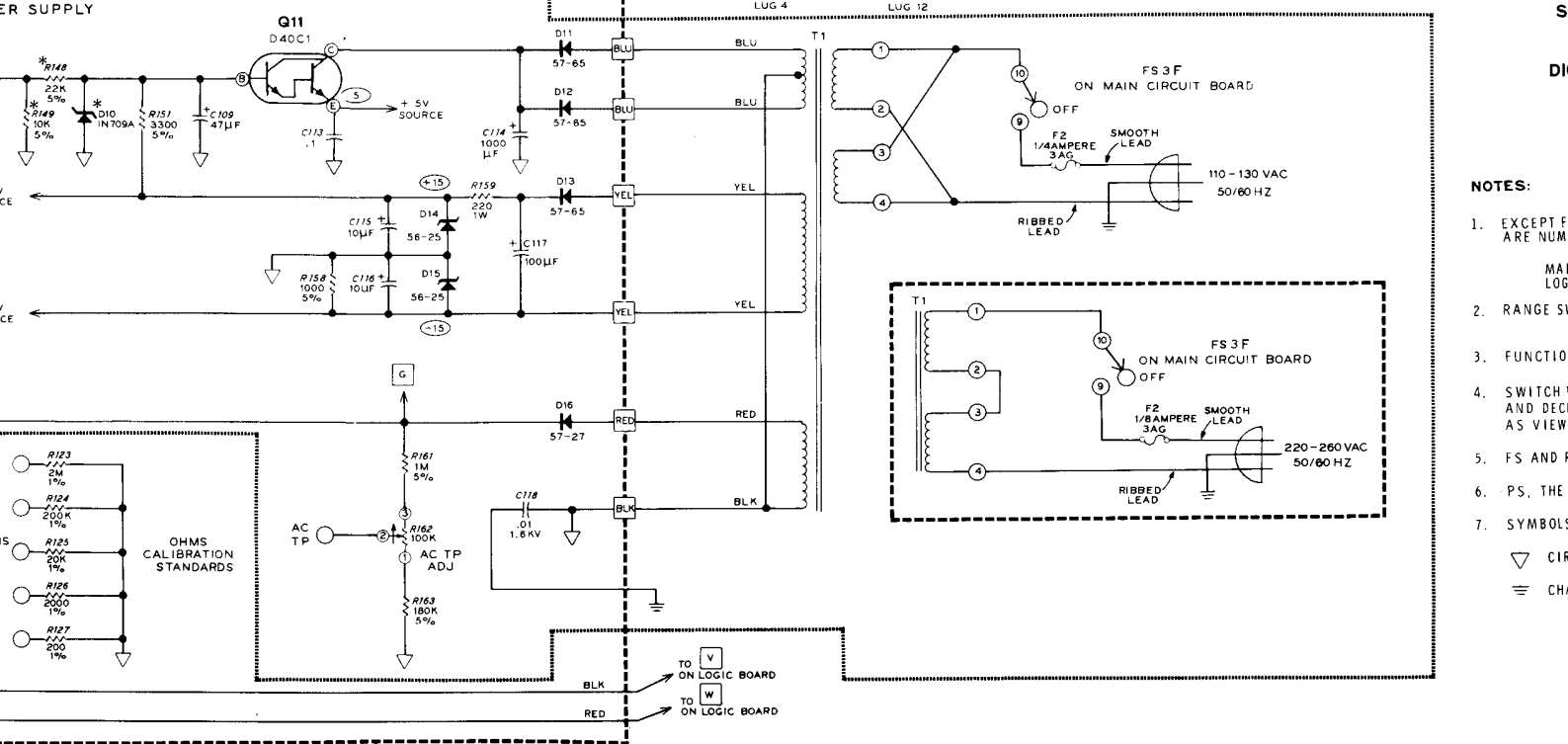
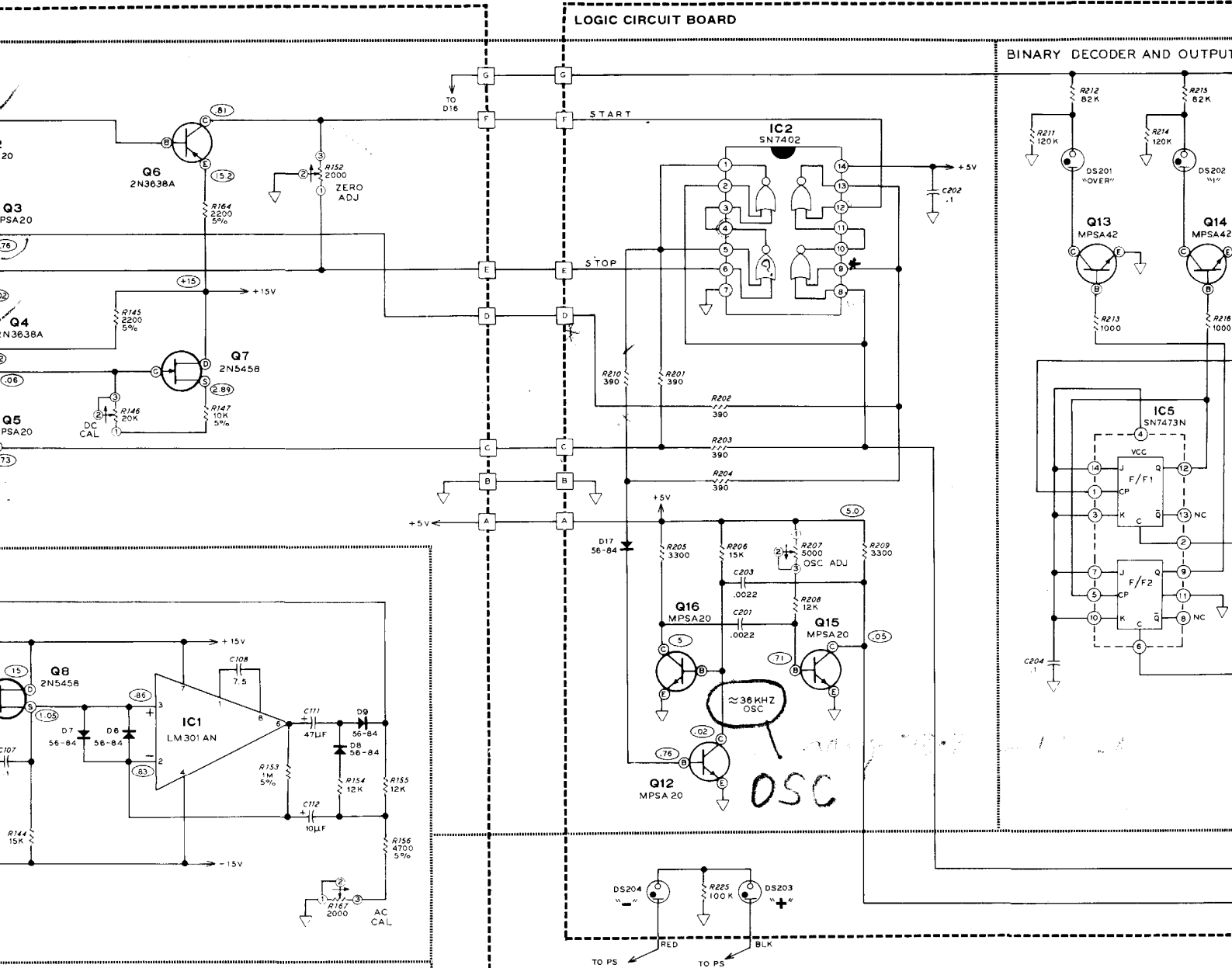
AC CONVERTER



POWER SUPPLY

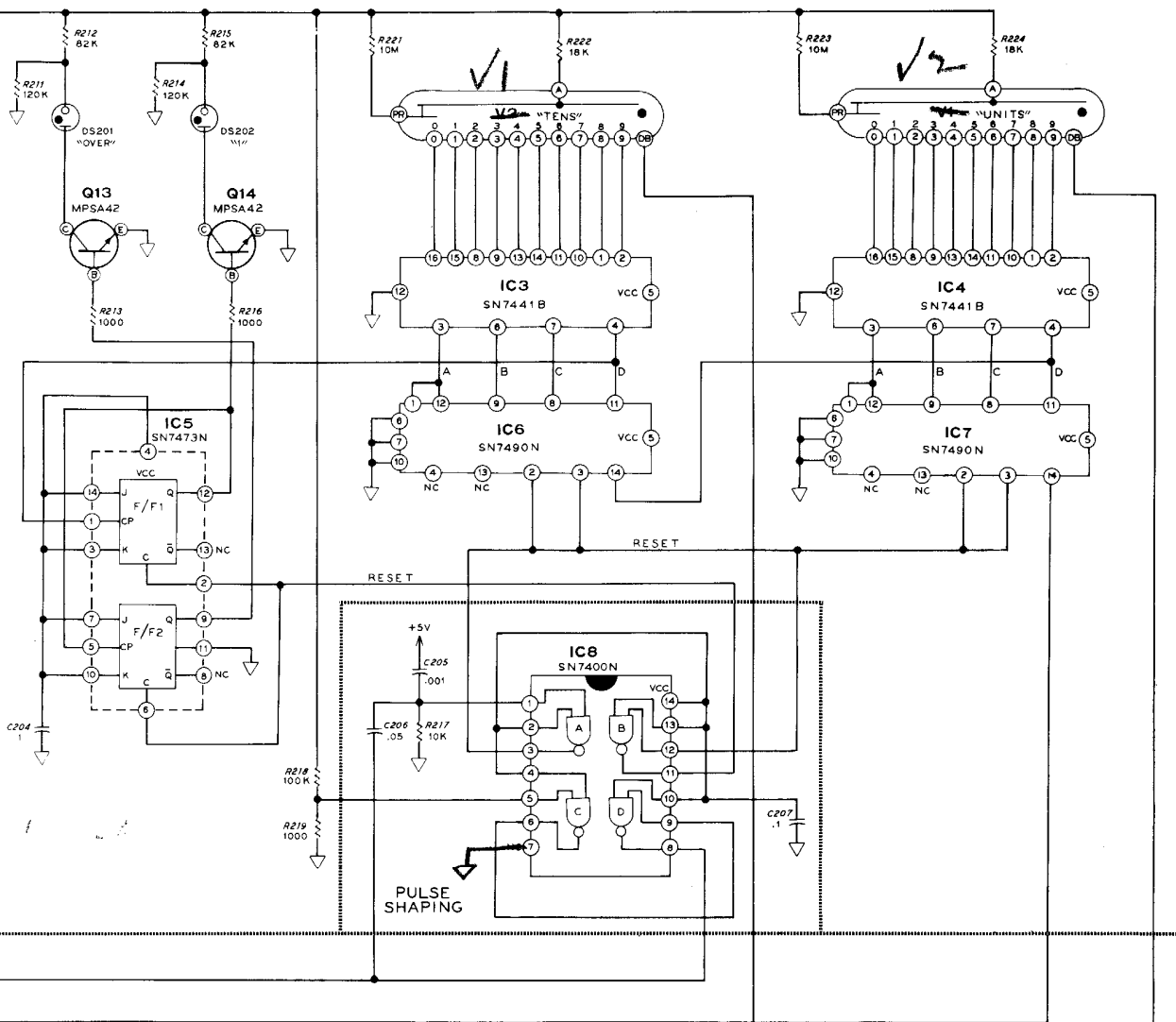


TO LAMP DS204
 TO LAMP DS204



- NOTES:**
- EXCEPT FOR...
 - RANGE...
 - FUNCTION...
 - SWITCH...
 - FS AND...
 - PS, THE...
 - SYMBOLS...

BINARY DECODER AND OUTPUT



**SCHEMATIC OF THE
HEATHKIT®
DIGITAL MULTIMETER
MODEL IM-1202**

NOTES:

1. EXCEPT FOR SOLID STATE DEVICES AND SWITCHES, COMPONENTS ARE NUMBERED IN THE FOLLOWING GROUPS:

MAIN CIRCUIT BOARD 101-199
LOGIC CIRCUIT BOARD 201-299

2. RANGE SWITCH IS REFERRED TO AS "RS".

3. FUNCTION SWITCH IS REFERRED TO AS "FS".

4. SWITCH WAFERS ARE REFERRED TO AS "DECK 1, DECK 2, DECK 3, AND DECK 4." "F" AND "R" ARE FRONT AND REAR, RESPECTIVELY, AS VIEWED FROM THE SHAFT END OF THE SWITCH.

5. FS AND RS ARE SHOWN IN THE COUNTERCLOCKWISE POSITION.

6. PS, THE POLARITY SWITCH, IS SHOWN IN THE "+" POSITION.

7. SYMBOLS AND THEIR MEANINGS FOLLOW:

▽ CIRCUIT BOARD GROUND.

≡ CHASSIS GROUND.

○ POSITIVE DC VOLTAGE.

◌ NEGATIVE DC VOLTAGE.

□ CIRCUIT BOARD HOLE.

* FACTORY SELECTED COMPONENTS.

8. V_{CC} = 5 VOLTS DC (NOMINAL).

9. RESISTOR VALUES ARE GIVEN IN OHMS (K=1,000, M=1,000,000). ALL RESISTORS ARE 1/4 WATT, 10% TOLERANCE UNLESS MARKED OTHERWISE.

10. ALL CAPACITOR VALUES 1 AND OVER ARE IN pF UNLESS MARKED OTHERWISE. CAPACITOR VALUES LESS THAN 1 ARE IN μF.

11. FOR ADDITIONAL INFORMATION ON SOLID STATE DEVICES, REFER TO THE "TRANSISTOR-INTEGRATED CIRCUIT CHARTS" ON PAGES 62 AND 63.

12. REFER TO THE "X-RAY VIEWS" AND "CHASSIS PHOTOGRAPHS" FOR THE PHYSICAL LOCATION OF PARTS.

13. ARROWS OUTSIDE CIRCUIT BOARD LINES POINT DIRECTLY TOWARD THEIR RESPECTIVE LOCATIONS AT OTHER POINTS ON THE SCHEMATIC.

130 VAC
60 HZ

3 F
CIRCUIT BOARD

220-260 VAC
50/60 HZ