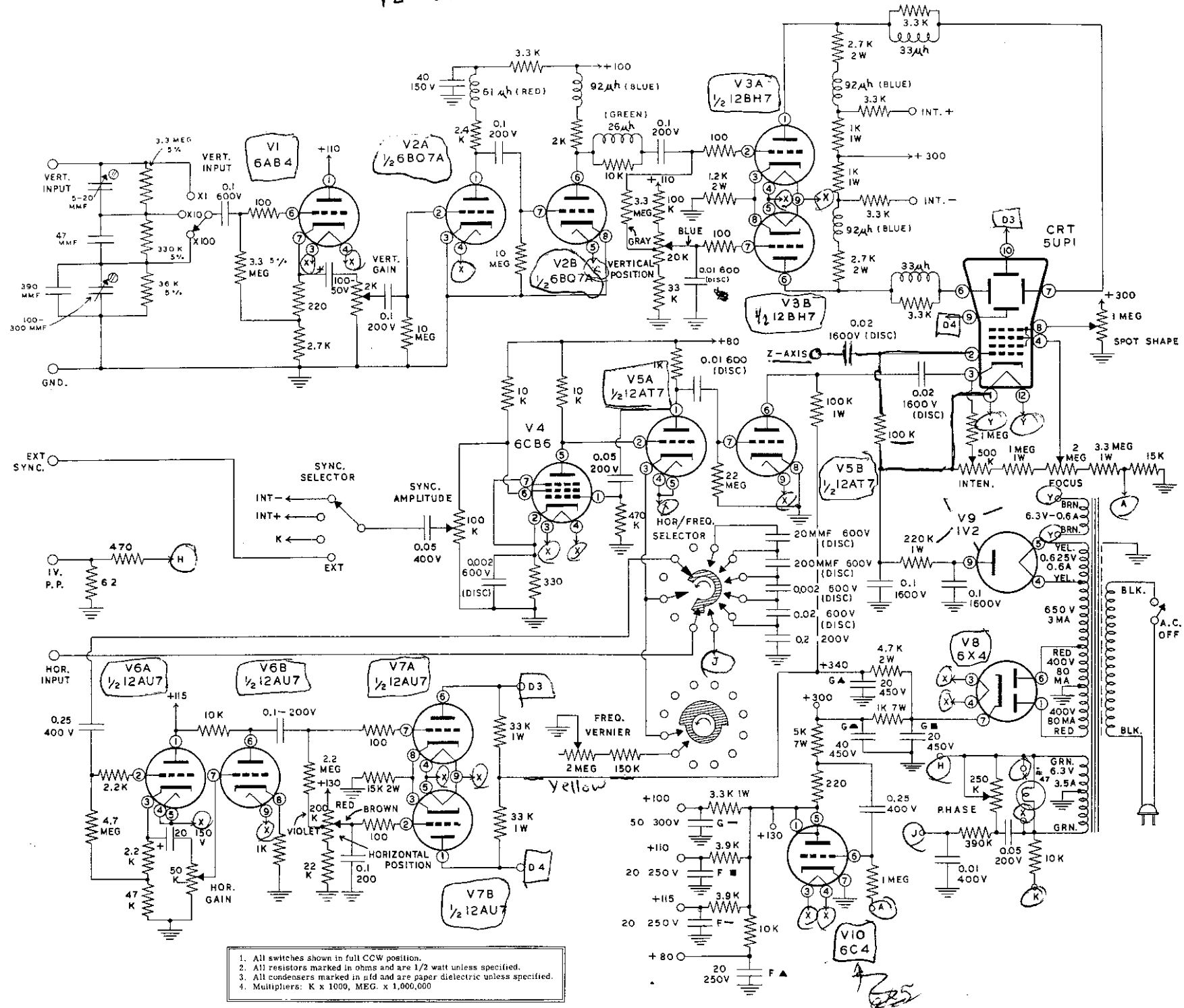


V2-6A8EA V4-6DT6A V5-12AU7A V8-6X5

HEATHKIT LABORATORY OSCILLOSCOPE
Model O-10



1. All switches shown in full CCW position.
2. All resistors marked in ohms and are 1/2 watt unless specified.
3. All condensers marked in μ fd and are paper dielectric unless specified.
4. Multipliers: K x 1000, MEG. x 1,000,000