

NOTES

INPUT AND FUNCTION SELECTORS SHOWN IN FULL CCW POSITION VIEWED FROM FRONT PANEL.

ALL CAPACITORS IN μ UNLESS OTHERWISE SPECIFIED.

ALL RESISTORS 1/2 WATT UNLESS OTHERWISE SPECIFIED.

— INDICATES COUNTERCLOCKWISE TRAVEL.

VOLTAGES TAKEN WITH HEATHKIT VTVM, 117 V AC LINE SOURCE.

VOLTAGES MAY VARY $\pm 10\%$ DUE TO TOLERANCE OF COMPONENTS.

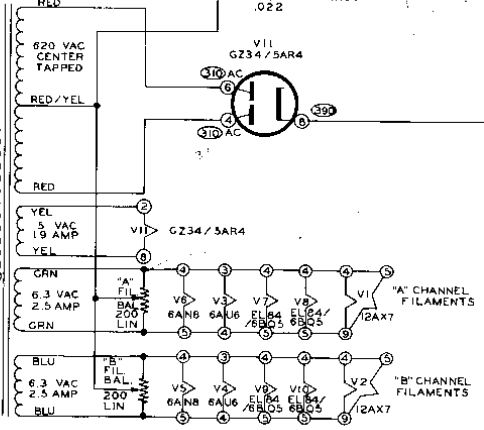
INPUT SELECTOR IN AUX POSITION, VOL UMF FULL CCW, BASS AND TREBLE 1/2 TOTATION, FUNCTION SELECTOR IN STEREO POSITION FOR VOLTAGE READINGS.

OUTPUTS LOADED WITH 16 Ω RESISTORS.

⊙ INDICATES VOLTAGE READING.

ALL READINGS FROM TEST POINT TO COMMON GROUND.

**HEATHKIT
STEREO AMPLIFIER
MODEL 5A-2**



POWER TRANSFORMER #54-93

NEON PILOT #412-13

AC SWITCH LOCATED ON REAR OF TREBLE CONTROL

*A' CHANNEL TO SPEAKER

*B' CHANNEL TO SPEAKER

CONNECT TO PROPER "Z" TAP