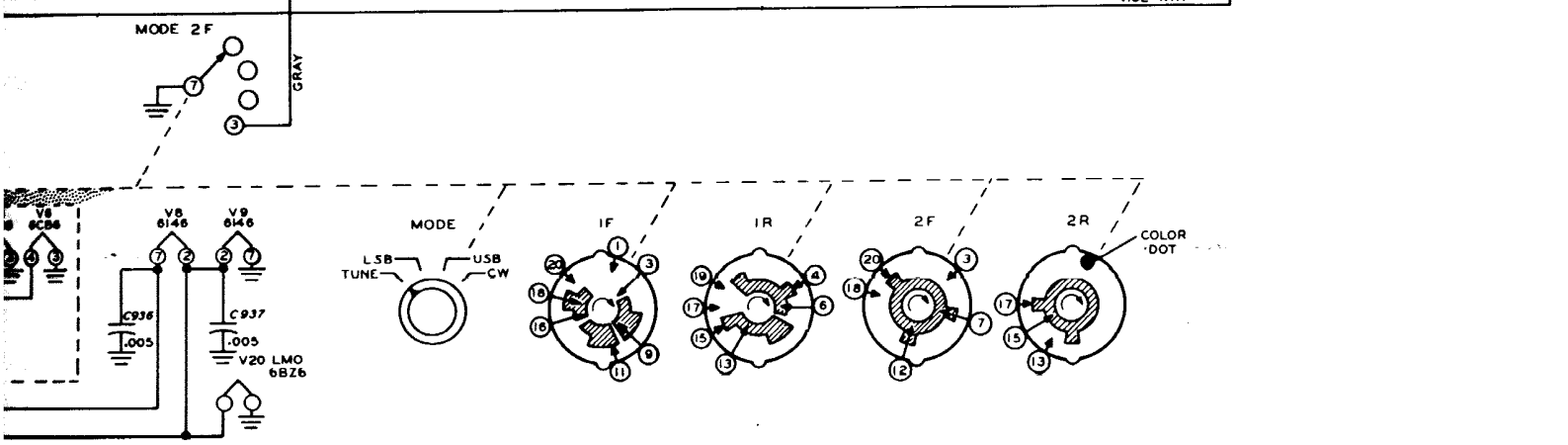
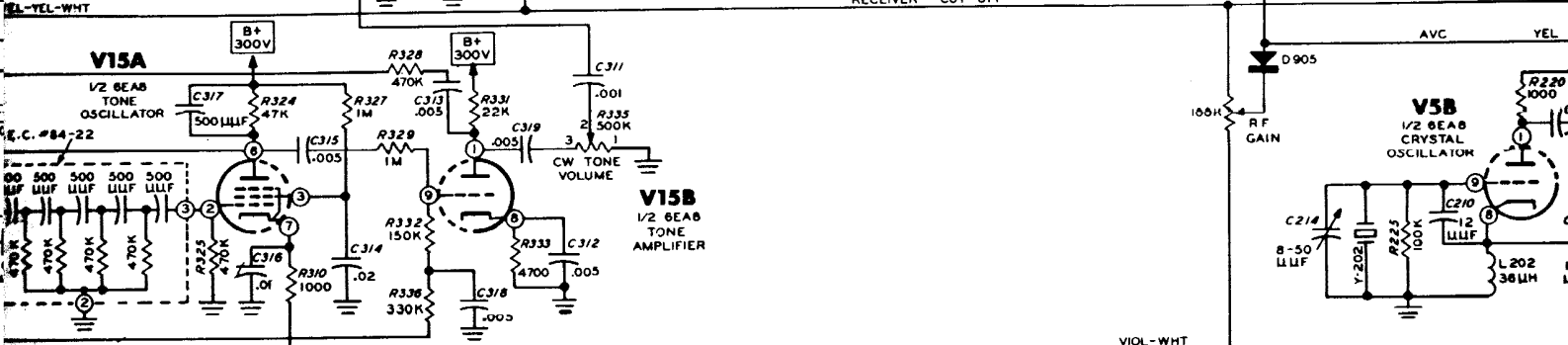
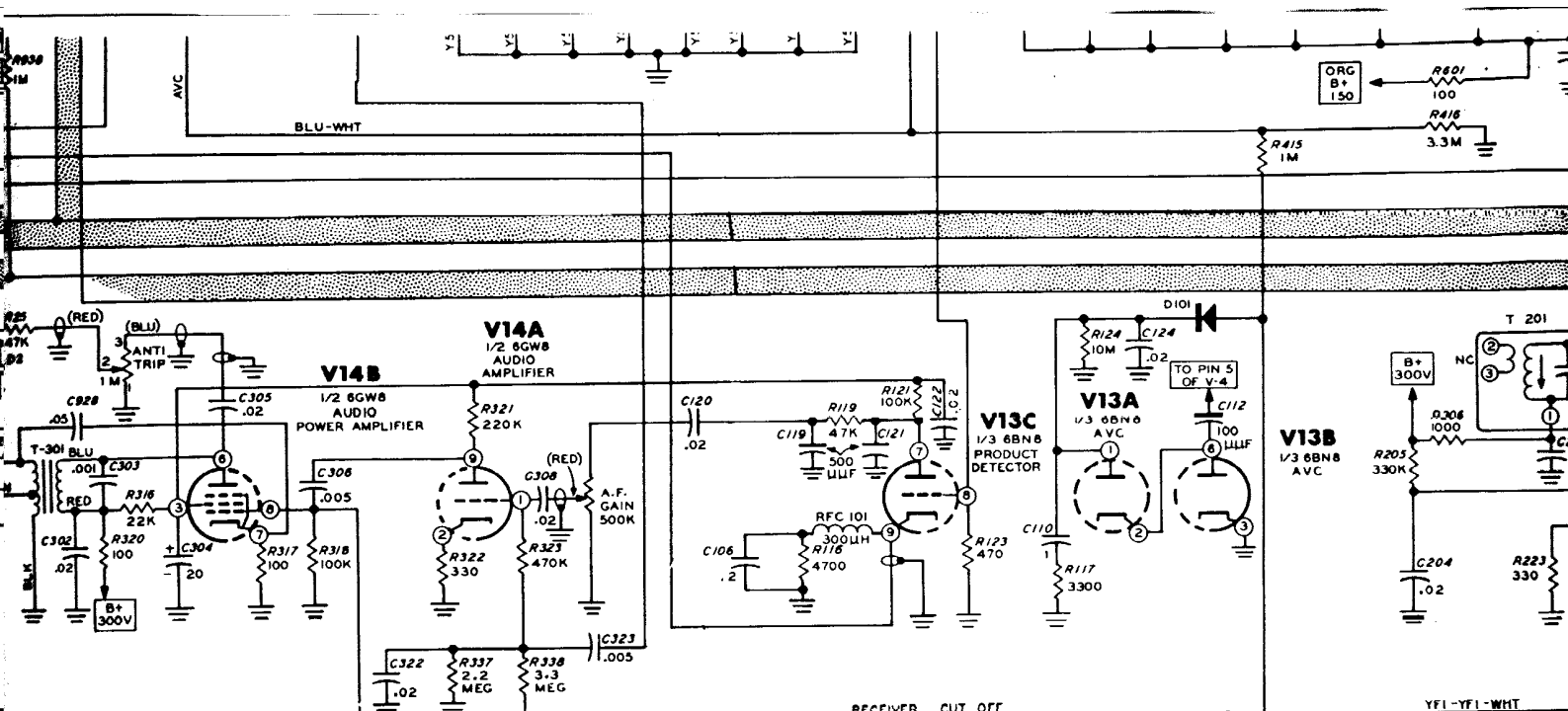
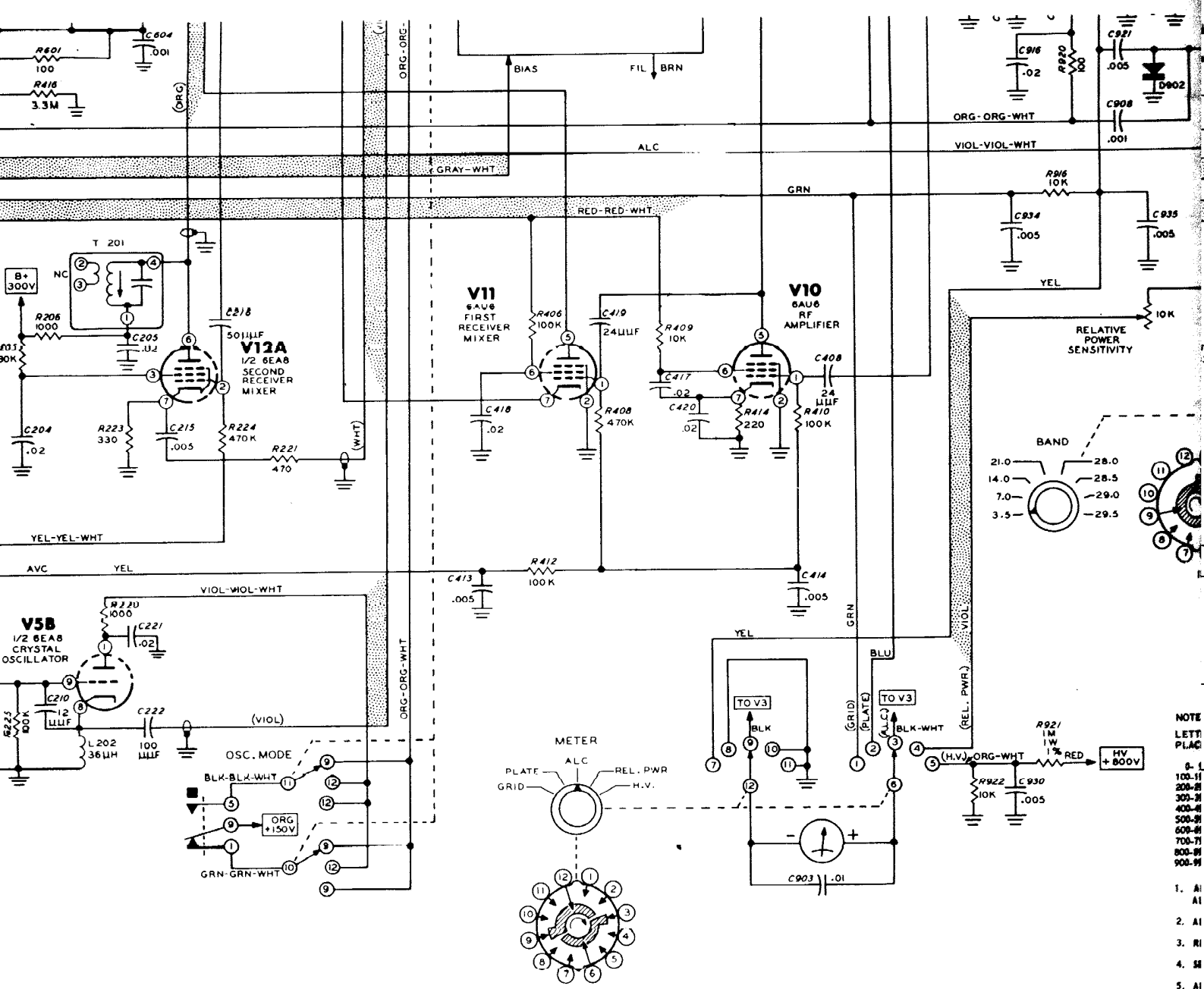
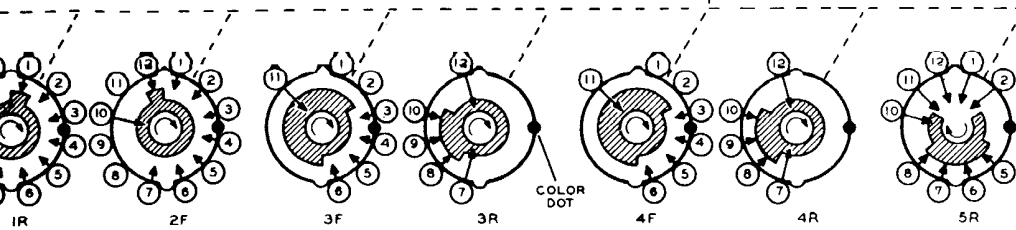
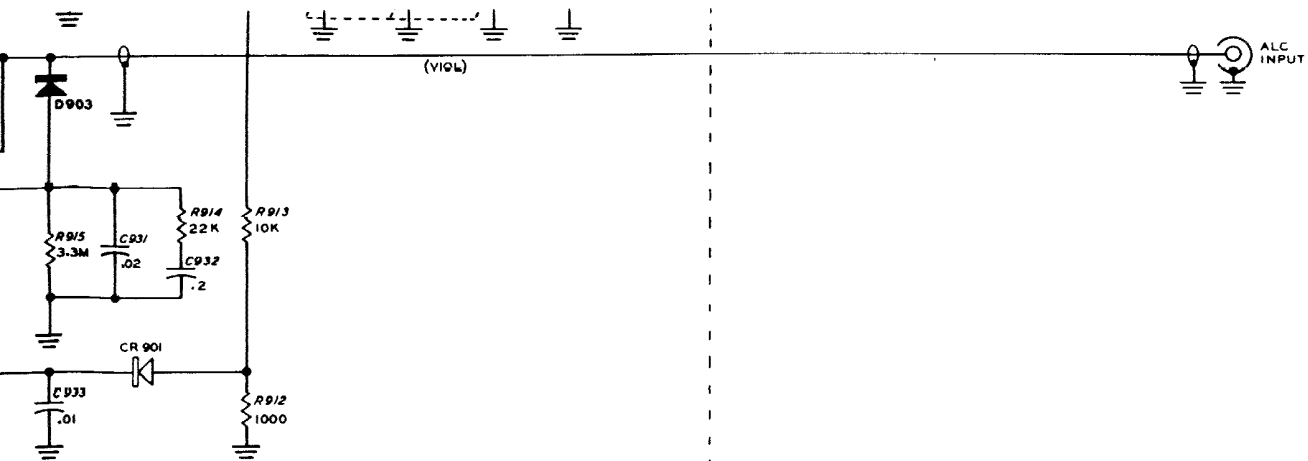


Copyright © 1965
 Heath Company
 All rights reserved







**SCHEMATIC OF THE
HEATHKIT®
SSB TRANSCEIVER
MODEL SB-100**

NOTE:
PART NUMBER DESIGNATIONS FOR RESISTORS, CAPACITORS, ETC., HAVE BEEN
PLACED IN THE FOLLOWING GROUPS:

0-99	PARTS ON MODULATOR CIRCUIT BOARD,
100-199	IF
200-299	BANDPASS
300-399	AUDIO
400-499	RF-DRIVER
500-599	CRYSTAL
600-699	HETERODYNE OSCILLATOR
700-799	DRIVER GRID
800-899	DRIVER PLATE
900-999	PARTS MOUNTED ON THE CHASSIS.

ALL RESISTORS ARE 1/2 WATT UNLESS MARKED OTHERWISE.
ALL RESISTOR VALUES ARE IN OHMS (K = 1000, MEG = 1,000,000).

ALL CAPACITOR VALUES ARE IN μ F UNLESS MARKED OTHERWISE.

REFER TO THE X-RAY AND CHASSIS VIEWS FOR PHYSICAL LOCATION OF PARTS.

SEE VOLTAGE AND RESISTANCE CHARTS (PAGES 00-00) FOR ALL MEASUREMENTS.

ALL SWITCHES ARE IN THE POSITION INDICATED BY THE KNOB POINTERS.

ARROW (↻) INDICATES CLOCKWISE ROTATION OF KNOB (VIEWED FROM KNOB END).

□ INDICATES HOOKUP WIRE NOT IN THE HARNESS.

{ } INDICATES COLOR CODE OF COAXIAL CABLE.

ALL RELAY CONTACTS SHOWN IN RECEIVE POSITION.

10. DIODE SYMBOLS ARE AS FOLLOWS: FOR GERMANIUM DIODES.
 FOR SILICON DIODES.

11. FOR GREATER CLARITY, RELAY SECTIONS ARE SHOWN CLOSEST TO THE CIRCUITS
IN WHICH THEY ARE USED. ONE OF THE FOLLOWING MARKS IS USED TO IDENTIFY
THE SEPARATED SECTIONS OF THE RELAYS:

▲ = PART OF RELAY RL1
■ = PART OF RELAY RL2

12. SWITCH WAFERS ARE IDENTIFIED AS IN THE FOLLOWING EXAMPLE:

