



# LIST OF SPARE PARTS

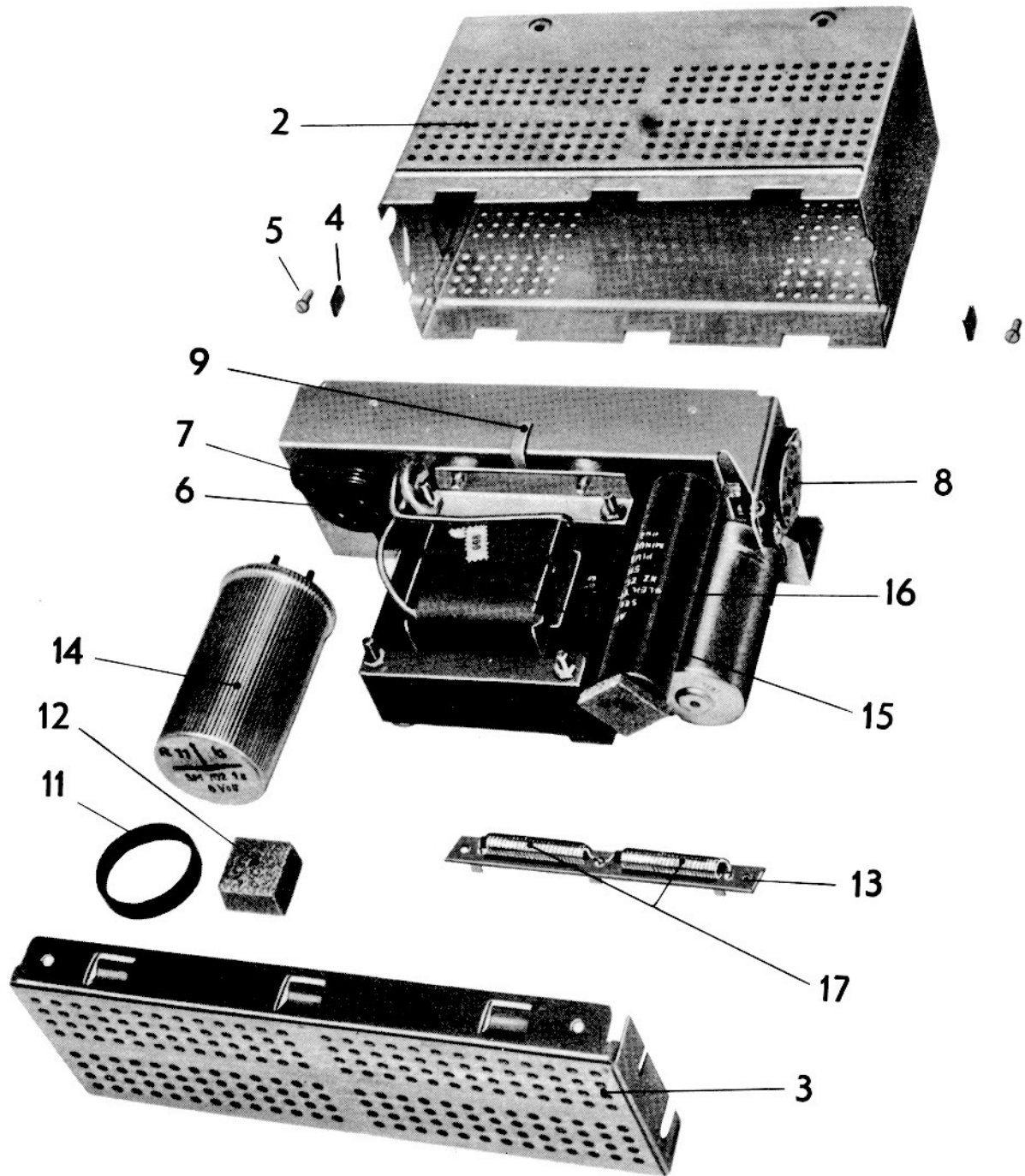


for

HAMBURG DE LUXE

from set no. S 300 001

Current No.	Part (Pos. in diagram)	Ordre No.	Wear out group
<u>SUPPLY UNIT</u>			
1	Power pack, compl., commutable 6/12 volts, zinc-plated	I 781/12z	
<u>Mechanical Parts</u>			
2	Case, zinc-plated	MG 830/ 2z	
3	Cover, zinc-plated	MG 831/ 3x	
4	Spring nut	MU 741/ 2n	x
5	Cyl. self-tapping screw	SR 3001/16x	x
6	Socket for vibrator	FA 716/ 1x	
7	Rubber bumper for vibrator socket	NB 703/ 1x	
8	Socket for connecting cable	FA 717/ 1x	
9	Fixing strap 130 mm long for low-volt electrolytic-condenser	MT 2394/ 1x	
10	Eye for fixing strap	BE 760/ 1x	
11	Rubber ring for vibrator	NF 709/ 5x	
12	Damping washer for vibrator	NS 801/ 1x	
13	Soldering terminal strip for smoothing choke	AL 874/ 1z	
<u>Electrical Parts</u>			
14	Vibrator 6 volts Z 601	SM 702/ 1z	x
	Vibrator 12 volts Z 601	SM 702/ 2z	x
15	Vibrator transformer 6/12 volts T 601 1) 2x36 wdg. 1,4 Cu, 2x38 wdg. 0,8 Cu, 2) 1800 wdg. 0,23 Cu	TF 722/10z	
16	Dry rectifier 2x250 V 100 mA GL 601	XZ 737/ 2x	
17	Smoothing choke (battery input)	ED 706/ 1z	
<u>Electrolytic Condensers</u>			
18	32 $\mu$ F $\pm$ 50% 350/385 V C 618/619	KO 761/24x	x
19	50 $\mu$ F $\pm$ 30% 15/ 18 V C 602/603	KO 742/ 9n	
<u>Cylindrical Condensers</u>			
20	25000 pF $\pm$ 20% 500 V ~ C 620	KO 802/45n	
21	50000 pF $\pm$ 20% 500 V C 615	KO 784/48n	
22	0,1 $\mu$ F $\pm$ 10% 125 V C 607, 609	KO 788/69n	
23	0,1 $\mu$ F $\pm$ 10% 125 V C 614	KO 770/65n	
<u>Layer Resistors</u>			
24	200 $\Omega$ $\pm$ 10% 1 W W 601,602	WI 802/29n	
25	500 $\Omega$ $\pm$ 10% 2 W W 603	WI 840/28n	



Current No.	Part (Pos. in diagram)	Ordre No.	Wear out group
<u>RECEIVER UNIT</u>			
<u>Mechanical Parts</u>			
51	Chassis, compl. with	CH 833/ 1z	
52	tube socket for EF 89 II	FA 715/ 1x	
53	tube socket for ECH 81, EBF 89	FA 715/ 3x	
54	connecting plate (chassis)	AL 829/10z	
55	soldering terminal strip with 1 soldering ear (chassis side-wall)	AL 2104/ 5z	
56	soldering terminal strip with 3 soldering ears (chassis below)	AL 2105/ 1z	
57	spring for IF band filter socket	SF 898/ 4x	
58	spring for LW preselector circuit socket	SF 898/ 5x	
59	spring for tube holder EF 89, ECH 81, EBF 89	SF 899/ 1x	
60	soldering terminal strip with 4 soldering ears (transformer below)	AL 811/13z	
61	Push button set, compl. with	EV 756/ 2z	
62	tuning shaft, compl.	AC 2116/ 1z	
63	coupling, compl.	KG 709/ 2z	
64	threaded bush	MB 861/ 1x	
65	tube socket for EL 84	FA 2001/ 8x	
66	tube socket for EF 89 I	FA 715/ 3x	
67	spring for tube socket EL 84	SF 899/ 2x	
68	spring for tube socket EF 89	SF 899/ 1x	
69	slider, riveted	BE 3004/ 1z	
70	swing device, to operate push-buttons, compl. riveted	HE 784/ 2z	
71	ball for swing device	XZ 787/10x	
72	soldering terminal strip with 3 soldering ears (commutation 6/12 volts)	AL 844/ 3z	
73	dial pointer	SZ 2186/ 3x	
74	wave band indicator	SZ 2157/ 4x	
75	lever for wave band indicator, riveted	HE 791/ 3z	
76	damping ring for push button stop	NR 723/ 1x	
77	guiding rail, riveted for wave band switch	TG 2176/ 1z	
78	coil plate, compl. <u>with</u> coils and trimmer	NP 2306/ 7z	
79	coil plate, <u>riveted without</u> coils with trimmer	NP 2312/ 6z	
80	wave band switch slide with contacts	NP 2272/ 6z	
81	switch slider, riveted	EV 742/11z	
82	push button slider, compl. without pressure spring	HE 882/ 1z	
83	pressure spring for push button slider	SF 812/ 2x	
84	coupling slider	MT 2283/ 1x	
85	tension spring for coupling slider	SF 871/ 1x	
86	connecting plate for connecting cable	AL 827/ 2z	
87	shell-type core (colour has to correspond to tuning core)	MF 830/ 1x	
88	rubber ring for shell-type core	NS 792/ 1x	
89	tuning core for MW preselector, intermediate selector and oscillator circuits (use colour of previous core)	XZ 752/ 2z	x

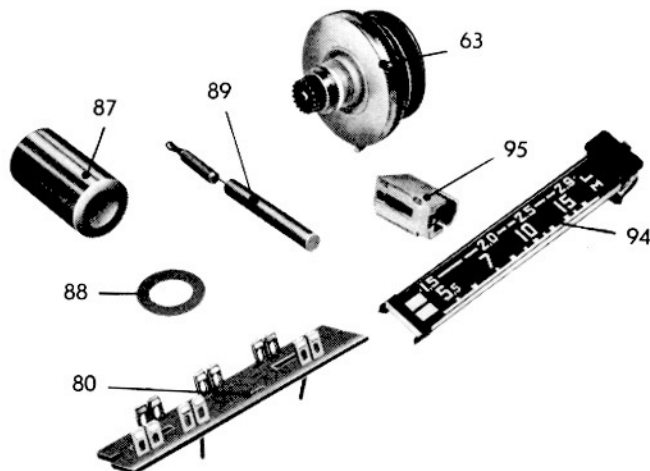
HAMBURG DE LUXE from set no. S 300 001

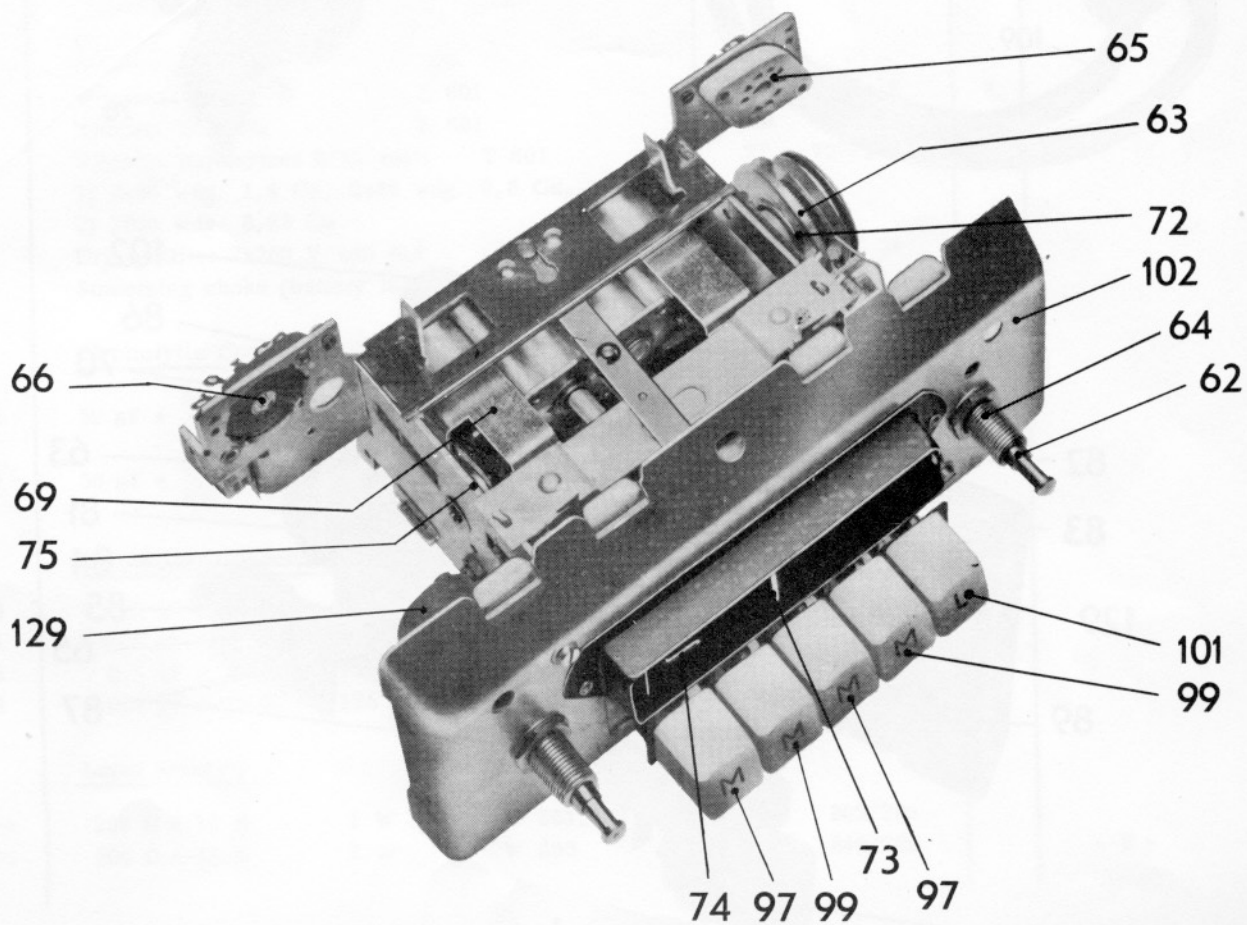
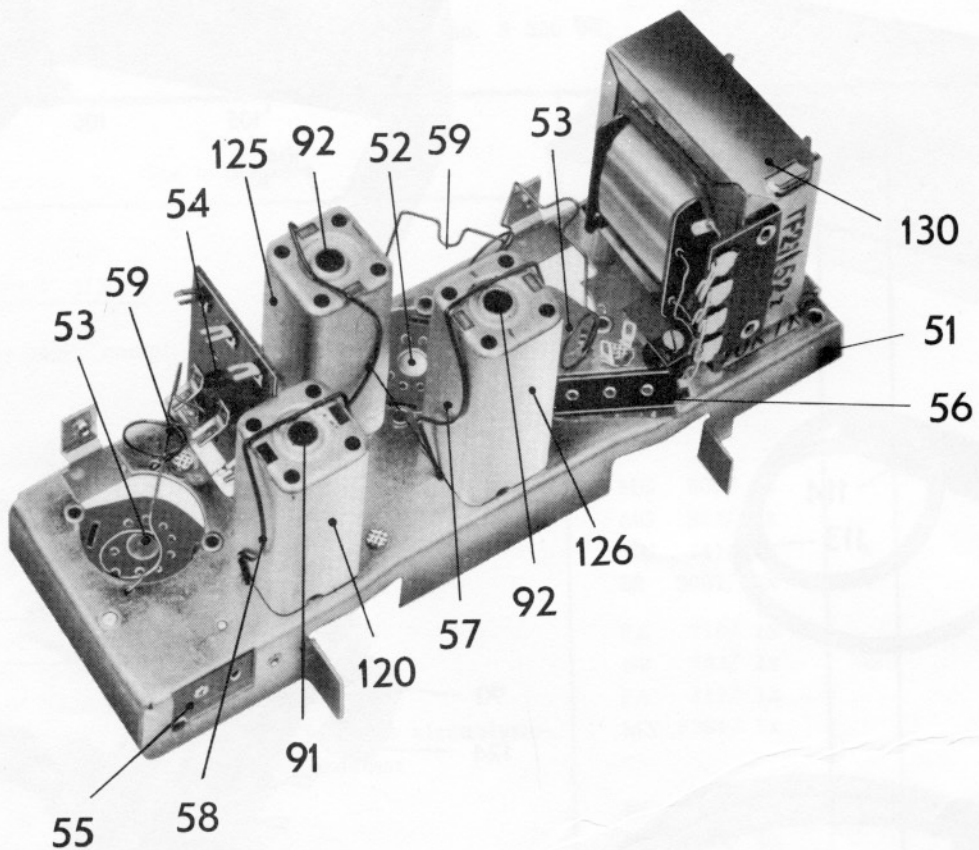
Current No	Part (Pos. in diagram)	Ordre No.	Wear out group
90	Tuning core for LW intermediate selector and oscillator circuits	SR 763/ 3x	
91	Tuning core for LW preselector circuit	SR 763/ 3x	
92	Tuning core for IF filter	SR 765/ 1x	
93	Braking thread, caoutchouc (indicate length)	738 200	
94	Dial with reflector	SQ 2160/ 3z	
95	Socket for dial lamp	FA 737/ 1z	
	Push button knob, with rubber gasket		
96	M (brown)	KF 794/21z	x
97	M (ivory)	KF 794/ 1z	x
	Push button knob, without rubber gasket		
98	M (brown)	KF 793/21z	x
99	M (ivory)	KF 793/ 1z	x
	Push button knob, with rubber gasket		
100	L (brown)	KF 794/23z	x
101	L (ivory)	KF 794/ 3z	x
102	Front plate	MG 819/ 1z	
103	Cabinet case, compl. with bushing-type condenser consisting of:	MG 824/ 6z	
103a	1 condenser plate	PT 798/ 1z	
103b	4 condenser plates	PT 797/ 6x	
103c	1 condenser plate	PT 798/ 2z	
103d	1 condenser plate	PT 797/ 3x	
103e	1 condenser plate	PT 797/ 2x	
104	Aerial socket	MB 823/ 4x	
105	Square nut	MU 776/ 1x	
106	Fixing shackle	MT 2368/ 1x	
107	Cover of case	MG 821/ 1z	
108	Bottom plate of case	MG 791/11x	
109	Connecting cable with plug, 80 cm long	KA 743/10z	
110	plug for connecting cable	SE 718/ 1x	
111	Connecting cable, sold by the meter	KA 716/..x	
112	Coupling for connecting cable	KG 714/ 1z	
113	Battery cable with sleeve for fuse, 50 cm long	KA 757/ 1z	
114	sleeve for fuse	FA 741/ 9n	
115	Battery cable, sold by the meter	KA 758/..x	
	<u>Electrical Parts</u>		
116	Antenna choke D 401	WC 2199/ 2z	
117	Plate choke D 402	WC 2351/ 8x	
118	Heating choke D 403	WC 2115/ 1z	
119	MW preselector coil L 401	WC 2204/ 1z	
120	LW preselector coil L 402	ZF 720/24z	
121	LW intermediate selector coil L 403	WC 2201/ 4z	
122	MW intermediate selector coil L 404	WC 2204/ 1z	
123	MW oscillator coil L 406	WC 2205/ 1z	
124	LW oscillator coil L 407	WC 2389/ 1z	
125	1st IF filter L 410/411	ZF 720/ 1z	x
126	2nd IF filter L 412/413	ZF 720/ 2z	x
127	dial lamp 7 V / 0,1 A	GL 701/ 1x	x

Current No	Part (Pos. in diagram)	Ordre No.	Wear out group
128	Dial lamp 14 V / 0,1 A	GL 701/ 2x	x
129	Volume control W 421 with switch and tone control W 429	WI 746/ 1x	x
130	Output transformer T 401 1) 2900 wdg. 0,12 Cu, 2) 100 wdg. 0,5 Cu	TF 27/52z	
131	Fuse for 6 volts 8 A	GS 704/ 1n	
132	Fuse for 12 volts 4 A	GS 704/ 3n	
132	Printed wiring plate, compl. with resistors and condensers	PT 2152/ 1z	
<u>Cylindrical Condensers</u>			
133	5000 pF ± 20 % 500 V C 429	KO 792/67n	
134	5000 pF ± 20 % 1000/3000V C 445	KO 778/66n	
135	10000 pF ± 20 % 500 V C 428	KO 792/69n	
136	25000 pF ± 20 % 125 V C 433	KO 788/65n	
137	50000 pF ± 20 % 125 V C 416,436,448	KO 788/66n	
138	50000 pF ± 20 % 500 V C 407,414,439,443	KO 784/48n	
139	0,1 µF ± 10 % 500 V C 447	KO 784/51n	
140	<u>Styroflex Condensers</u>		
140	430 pF ± 2,5 % 125 V C 403	KO 809/80n	
141	540 pF ± 2,5 % 125 V C 419	KO 809/73n	
142	820 pF ± 2,5 % 125 V C 411	KO 809/81n	
143	1500 pF ± 2,5 % 125 V C 410	KO 809/82n	
<u>Mica Condensers</u>			
144	150 pF ± 2 % 125 V C 422,424	KO 735/ 2z	
145	250 pF ± 2 % 125 V C 423,425	KO 735/ 2z	
146	500 pF ± 5 % C 415	KO 1019/27z	
<u>Ceramic Condensers</u>			
147	30 pF ± 10 % 500 V C 418	KO 825/16n	
148	50 pF ± 10 % 500 V C 405,409,437	KO 832/18n	
149	60 pF ± 2 % 500 V C 402	KO 824/19n	
150	65 pF ± 2 % 500 V C 417	KO 824/65n	
151	70 pF ± 2 % 500 V C 408	KO 831/66n	
152	100 pF ± 10 % 500 V C 431	KO 832/21n	
153	5000 pF ± $\frac{50}{20}$ % 500 V C 432,435,440	KO 834/38n	
154	10000 pF ± $\frac{50}{20}$ % 500 V C 406,427,441	KO 834/71n	
<u>Wire Condenser</u>			
155	30 pF C 421	KO 101/ 7z	
<u>Trimming Condenser</u>			
156	10 - 60 pF C 401,413	TK 6/15x	
<u>Electrolytic Condenser</u>			
157	50 µF ± $\frac{50}{20}$ % 12/15 V C 444	KO 748/ 9n	

HAMBURG DE LUXE from set no. S 300 001

Current No.	Part (Pos. in diagram)	Ordre No.	Wear out group
<u>Layer Resistors</u>			
158	25 $\Omega \pm 10 \%$ 2 W W 439	WI 812/16n	
159	30 $\Omega \pm 10 \%$ 1/3 W W 435	WI 782/17n	
160	80 $\Omega \pm 5 \%$ 1/2 W W 437	WI 793/24n	
161	100 $\Omega \pm 10 \%$ 1/2 W W 438	WI 792/25n	
162	1 k $\Omega \pm 1/3$ W W 410,415,433	WI 782/40n	
163	1,6 k $\Omega \pm 10 \%$ 1/3 W W 403	WI 782/43n	
164	5 k $\Omega \pm 10 \%$ 1/3 W W 405	WI 782/50n	
165	5 k $\Omega \pm 10 \%$ 1 W W 413	WI 802/50n	
166	20 k $\Omega \pm 10 \%$ 1/3 W W 419	WI 782/60n	
167	30 k $\Omega \pm 10 \%$ 2 W W 407,411	WI 812/62n	
168	50 k $\Omega \pm 10 \%$ 1/3 W W 409,414,431	WI 782/65n	
169	100 k $\Omega \pm 10 \%$ 1/3 W W 402,406,417,418, 430	WI 782/70n	
170	500 k $\Omega \pm 10 \%$ 1/3 W W 424,426,434	WI 782/80n	
171	1 M $\Omega \pm 10 \%$ 1/3 W W 401,422,423,425, 427	WI 782/85n	
<p>All parts which are subject to wear and tear have been marked "x" and are recommended to be kept in stock.</p> <p><u>IMPORTANT HINT !</u></p> <p>Parts for the loudspeakers have to be taken from the spare parts list covering loudspeakers dated 12 th October 1956.</p> <p>Modifications reserved !</p> <p>EVB Ha/SI <i>Ha</i> EVB <i>i.h. Dommersch</i></p> <p>21. 1. 1957</p> <p>EVB 957-012</p>			





HAMBURG DE LUXE ab Gerät Nr. S 300 001

