

TECHNICAL INFORMATION  
AND  
SERVICE DATA



MODEL 584-GA

FIVE VALVE, BROADCAST, A.C. OPERATED  
SUPERHETERODYNE

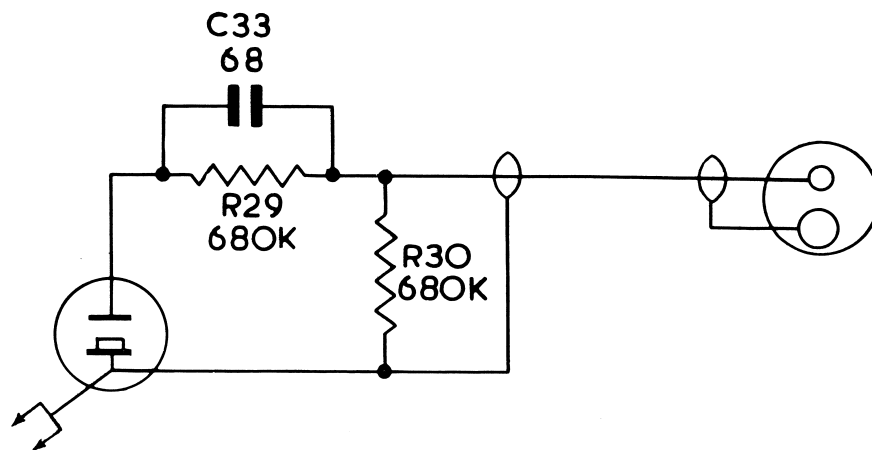
Issued by:

AMALGAMATED WIRELESS (AUSTRALASIA) LTD.



For all Electrical and Mechanical information refer to the 582-GA Service Manual.

**NOTE:** A special crystal compensation circuit is incorporated on the record changer. Should at any time the record changer need replacing, remember that the new changer must be modified by the inclusion of this circuit.



C33 68pF  $\pm$  10% mica.  
R29 680K ohms  $\pm$  10%  $\frac{1}{2}$  watt.  
R30 680K ohms  $\pm$  10%  $\frac{1}{2}$  watt.

**N.B.:** After the initial production run the bass lift circuit of R10 and C17 was deleted.